



Product Parameters (产品描述)

产品编号 | Part Number: KB-H10-xx-XP
 出光角度 | Beam Angle: 15/25/60/20*45°
 产品材料 | Material: Lens PMMA/Holder PC
 工作温度 | Work Temp: <85°C

安装方式 | Fastening: Tape|Clips
 支架颜色 | Holder Color: White|Black
 透光率 | Transmittance: 93%
 匹配LED | Match Led: Dome 3535

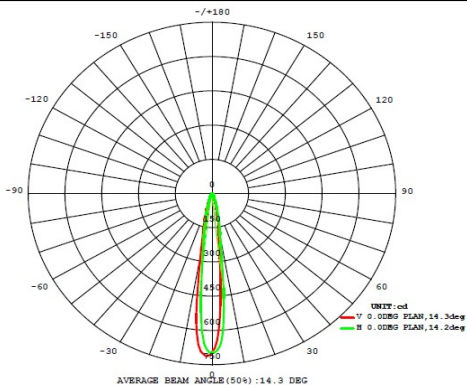
Part Number	Lens Surface	Dimension	Beam Angle
KB-H10-15-XP-HW/HB-TAPE	镜面/polish	Φ10*H7.2mm	~15°
KB-H10-25M-XP-HW/HB-TAPE	砂面/matt	Φ10*H7.2mm	~25°
KB-H10-60M-XP-HW/HB-TAPE	砂面/matt	Φ10*H7.2mm	~60°
KB-H10-2045-XP-HW/HB-TAPE	条纹面/strip	Φ10*H7.2mm	~20*45°
KB-H10-15-HW/HB-CLIPS	镜面/polish	Φ10*H9.7mm	~15°
KB-H10-25M-HW/HB-CLIPS	砂面/matt	Φ10*H9.7mm	~25°
KB-H10-60M-HW/HB-CLIPS	砂面/matt	Φ10*H9.7mm	~60°
KB-H10-2045-HW/HB-CLIPS	条纹面/strip	Φ10*H9.7mm	~20*45°

Direction for Use (使用须知)

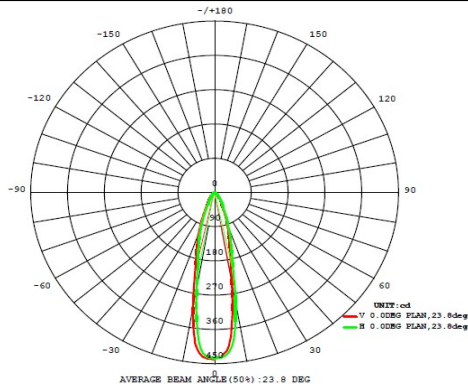
- 1, Please use some soft paper or pure water to clean lens (reflector)
- 2, Don't use any industrial solvent to clean lens surface , such as alcohol
- 3, Storage environment : Temperature 0~40°C , Humidity 30%~95%
- 4, This kind of lens can make the lighting more concentrated, and it's made from transparent material , so please do not open the packages until you use them, in case of the dust and other pollutions.

Light Distribution Curve (配光曲线图)

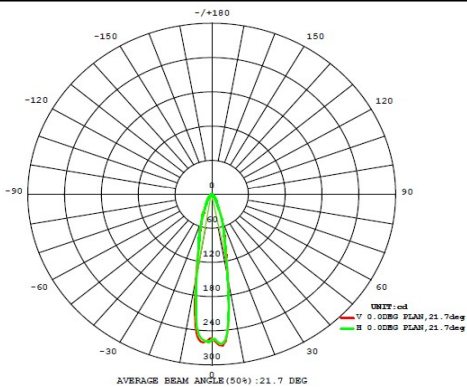
Part Number: KB-H10-15-XP



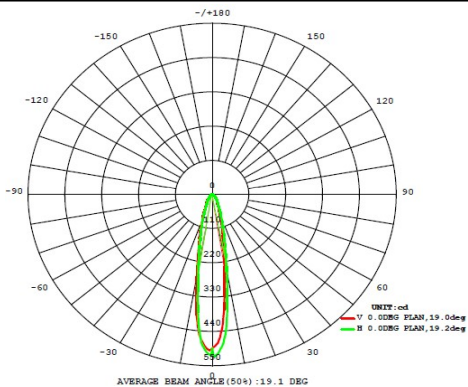
XP-E2 ---14.3°



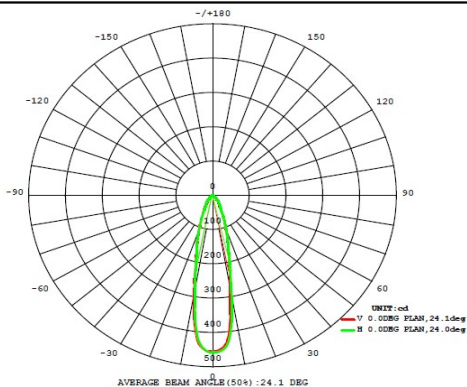
XP-G2 ---23.8°



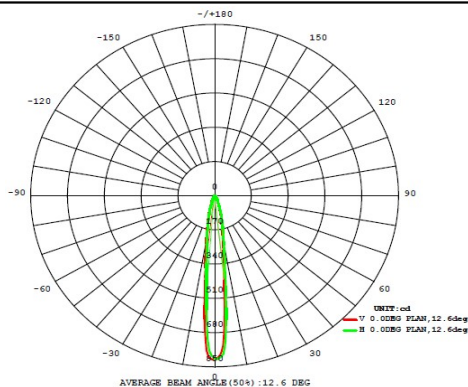
L/G 3535 ---21.7°



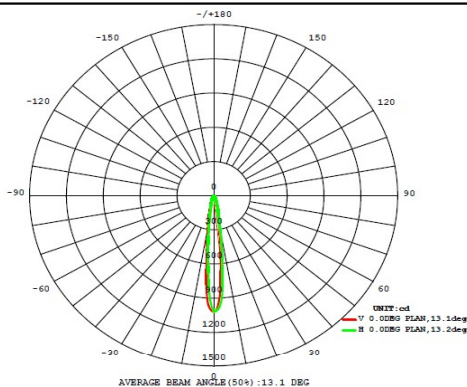
XT-E ---19.1°



Ni/chia 219 ---24.1°



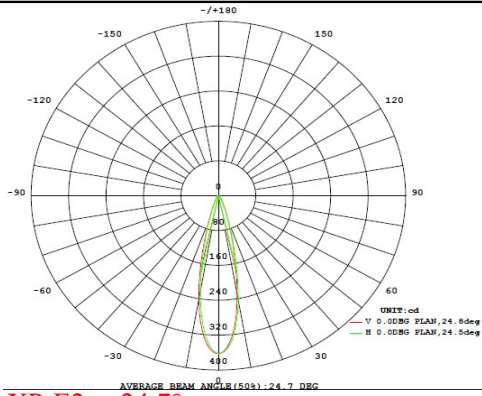
Os/ram Oslon ---12.6°



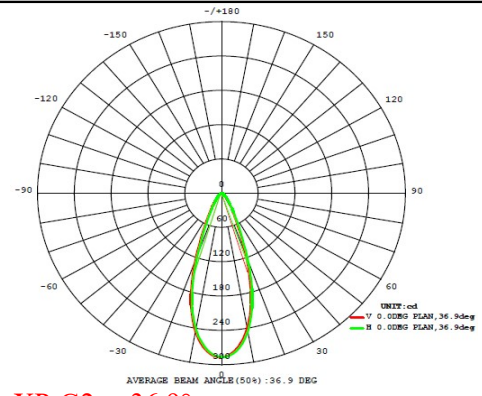
Os/ram P7 ---13.1°

Light Distribution Curve (配光曲线图)

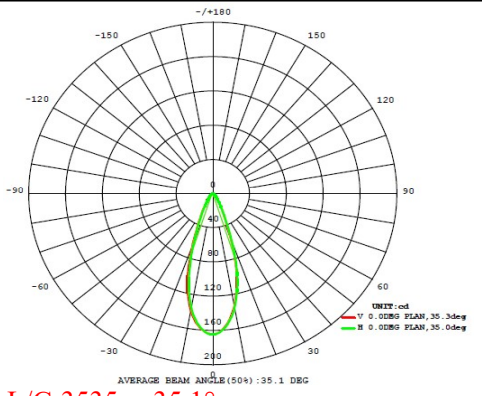
Part Number: KB-H10-25M-XP



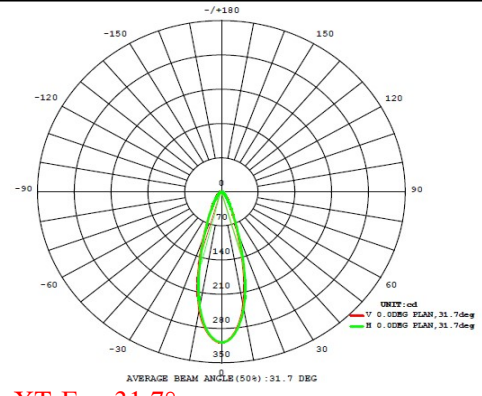
XP-E2 ---24.7°



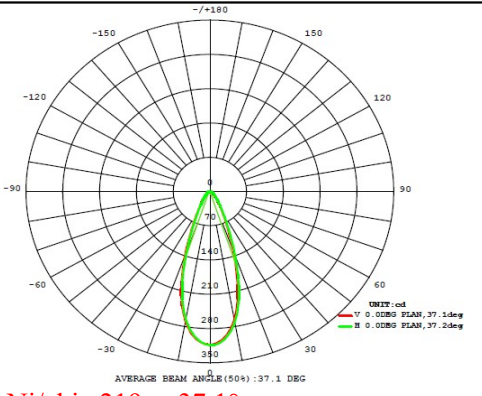
XP-G2 ---36.9°



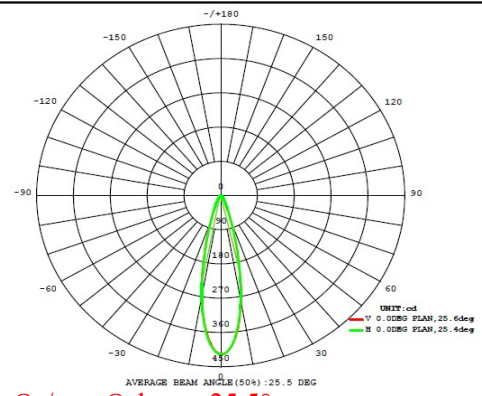
L/G 3535 ---35.1°



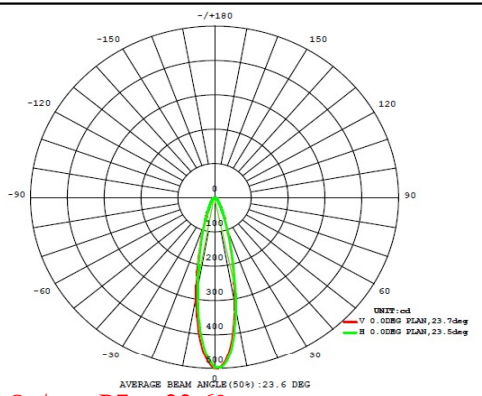
XT-E ---31.7°



Ni/chia 219 ---37.1°



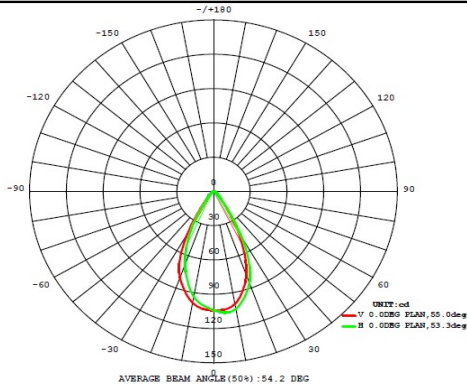
Os/ram Oslon ---25.5°



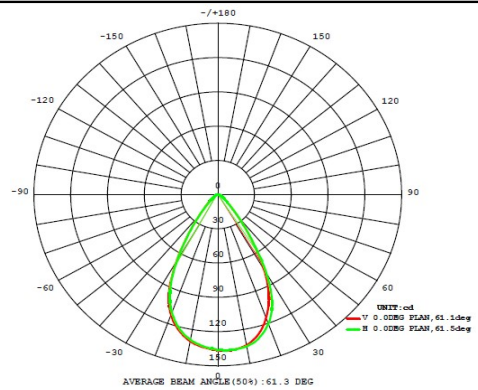
Os/ram P7 ---23.6°

Light Distribution Curve (配光曲线图)

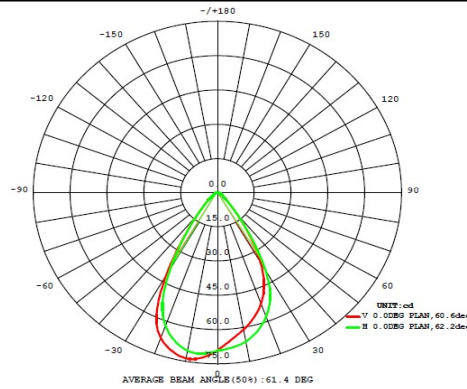
Part Number: KB-H10-60M-XP



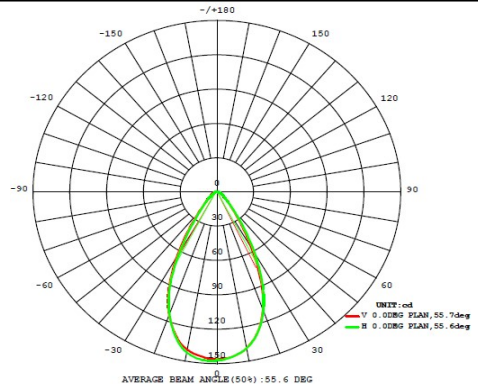
XP-E2 ---54.2°



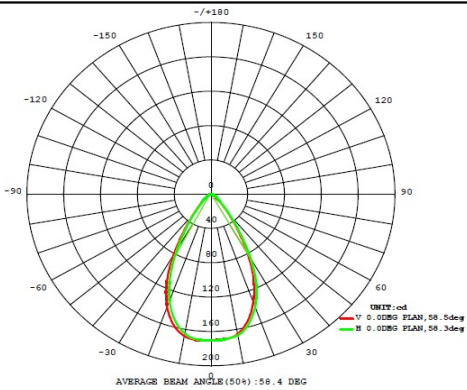
XP-G2 ---61.3°



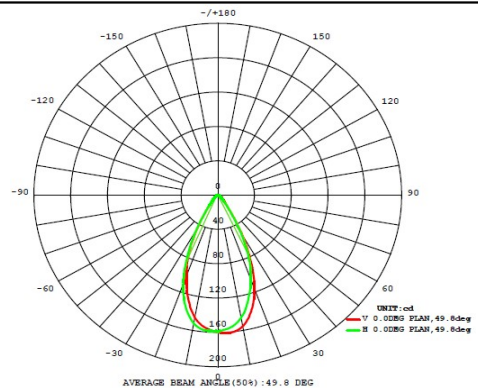
L/G 3535 ---61.4°



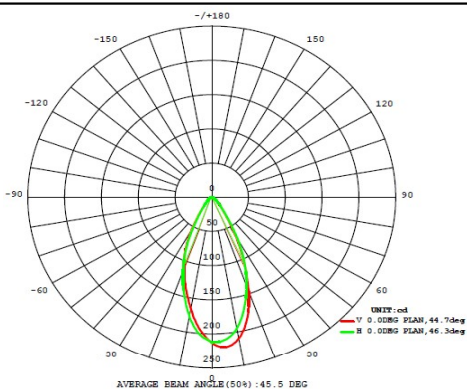
XT/E ---55.6°



Ni/chia 219 ---58.4°



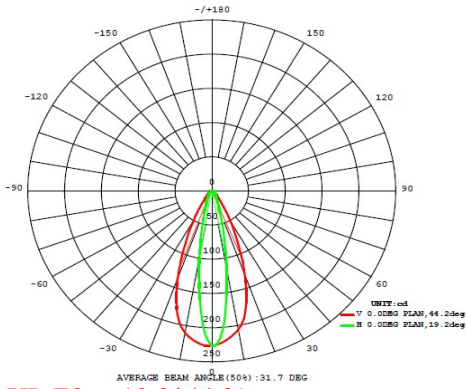
Os/ram Oslon ---49.8°



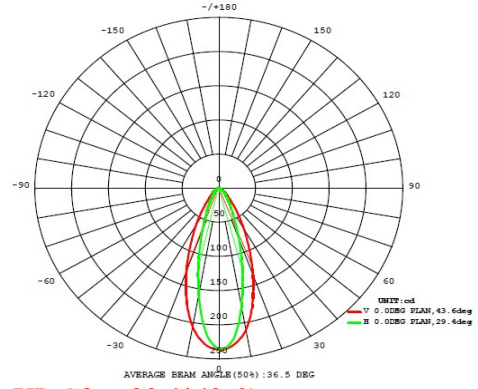
Os/ram P7 ---45.5°

Light Distribution Curve (配光曲线图)

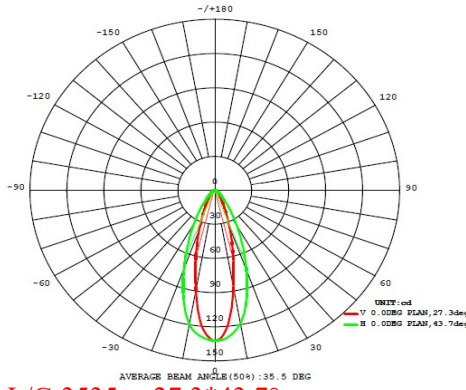
Part Number: KB-H10-2045-XP



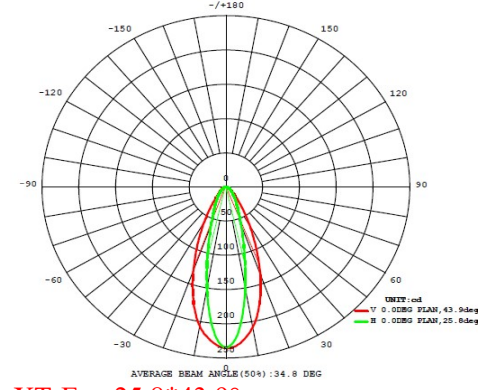
XP-E2 ---19.2*44.2°



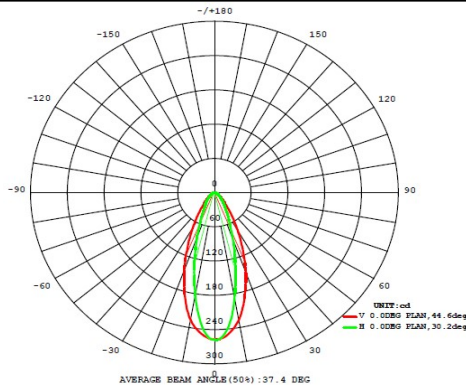
XP-G2 ---29.4*43.6°



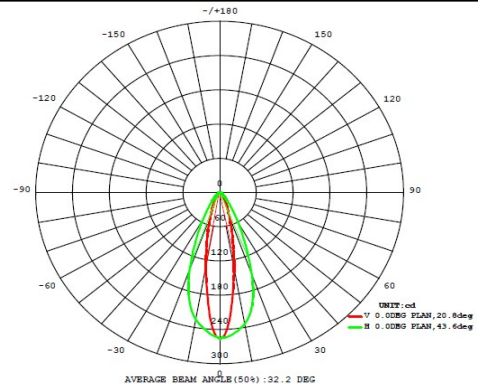
L/G 3535 ---27.3*43.7°



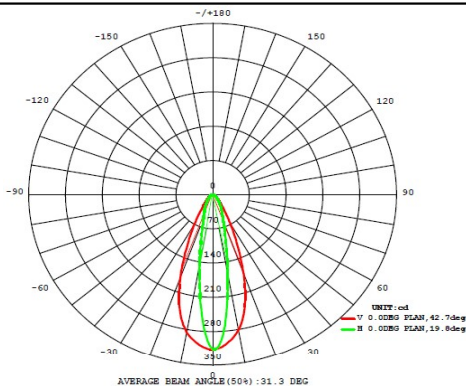
XT-E ---25.8*43.9°



Ni/chia 219 ---30.2*44.6°

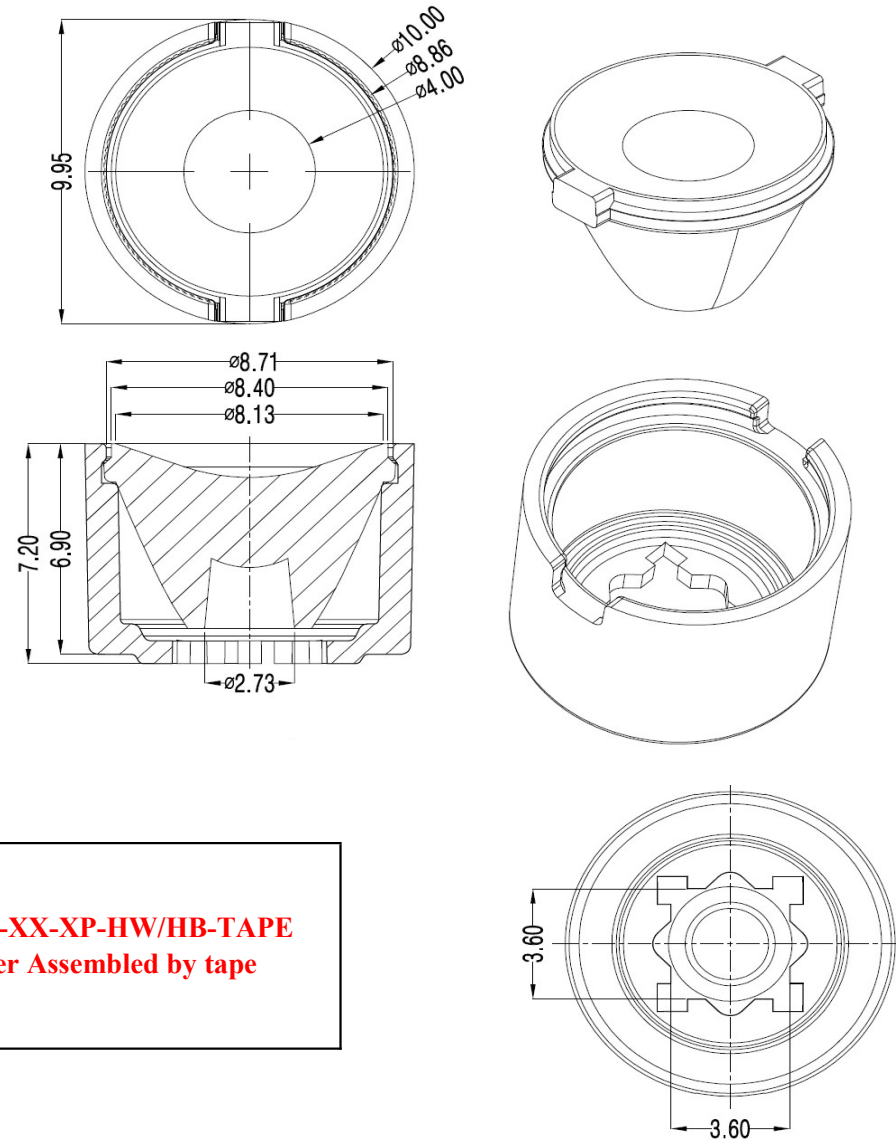


Os/ram Oslon ---20.8*43.6°



Os/ram P7 ---19.8*42.7°

Mechanical Characteristics:

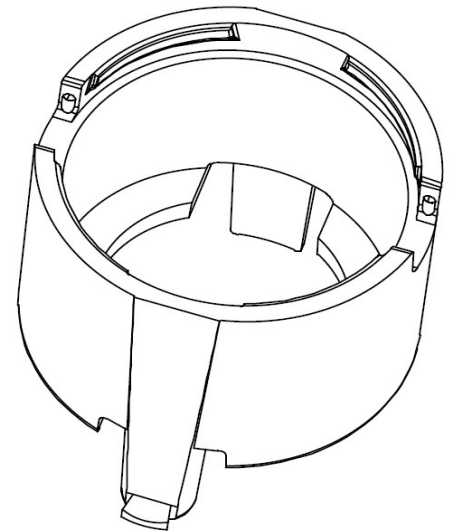
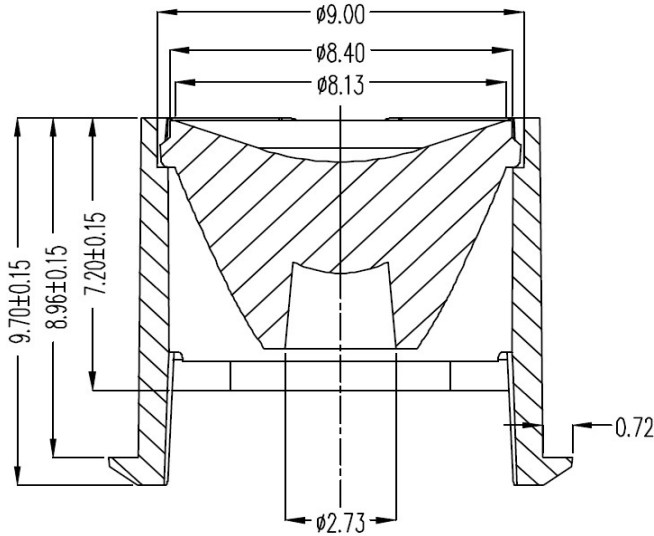
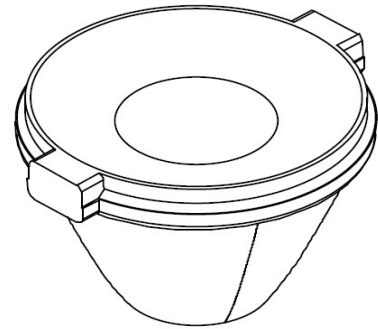
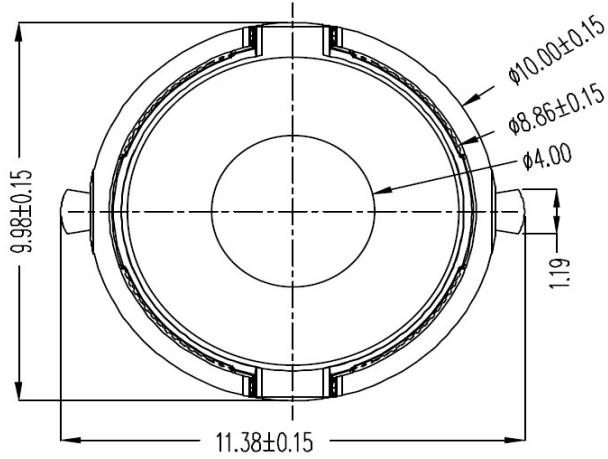


KB-H10-XX-XP-HW/HB-TAPE
Holder Assembled by tape

Product Package:

Inner Box	Outer Carton
	
<p>90pcs/layer 16 layers(1,440pcs)/box Gross weight: 800g/box Box dimension: 12.2*12.3*13.4cm</p>	<p>20boxes/carton 28,800pcs/carton Gross weight: 17kg/CTN Carton Dimension: 64*28*32cm</p>

Mechanical Characteristics:



KB-H10-xx-HW/HB-CLIPS
Holder Assembled by clips

