



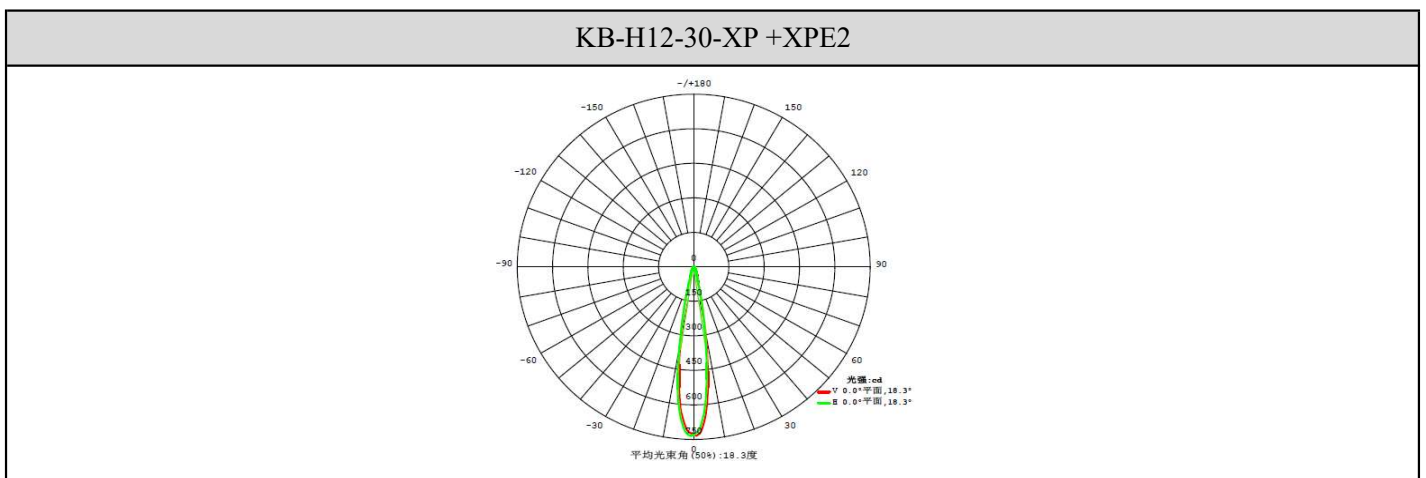
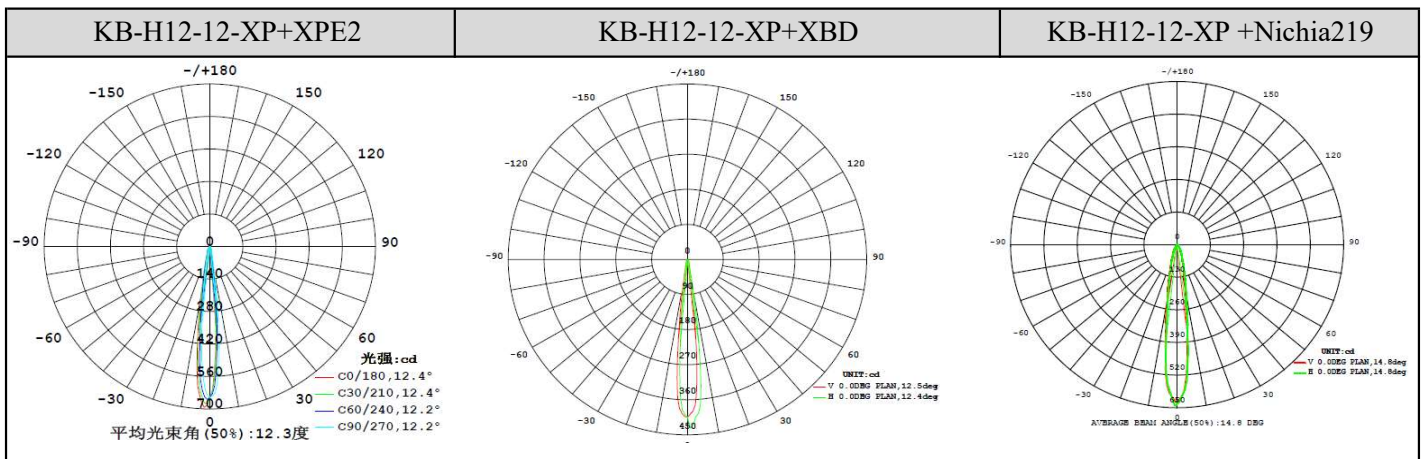
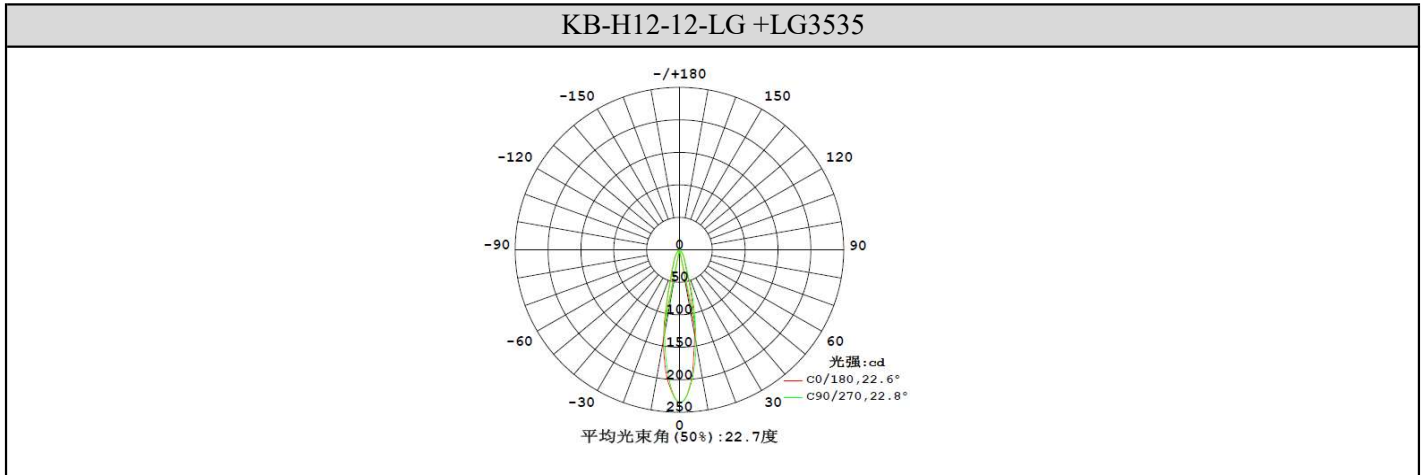
**Product Parameters (产品描述)**

产品编号 | Part Number: KB-H12-xx-XP  
 出光角度 | Beam Angle: 12/30/45/60/90/25\*50°  
 产品材料 | Material: PMMA  
 工作温度 | Work Temp: <85°C

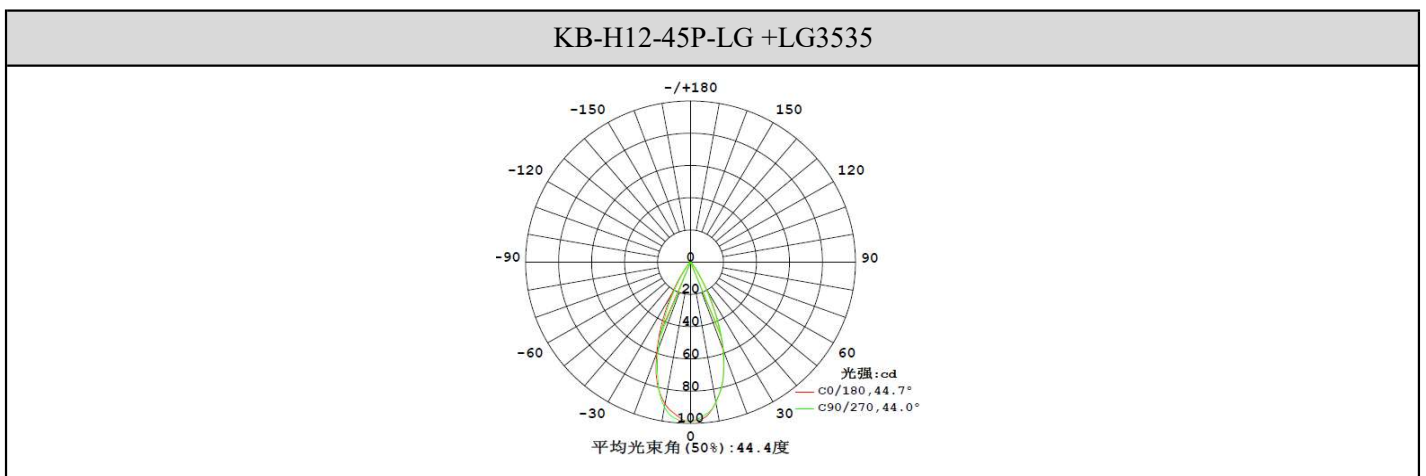
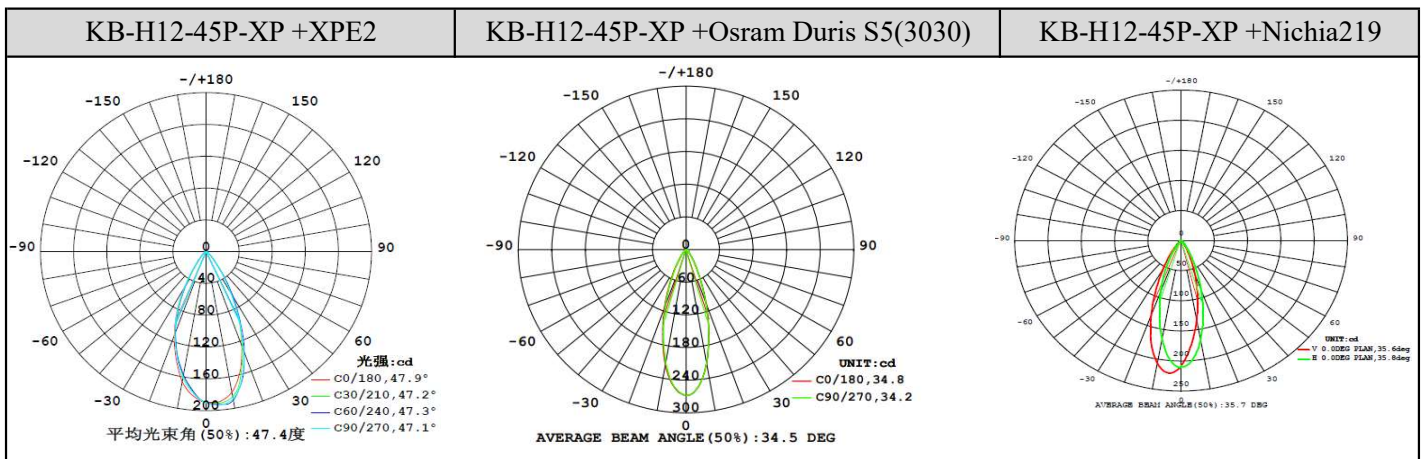
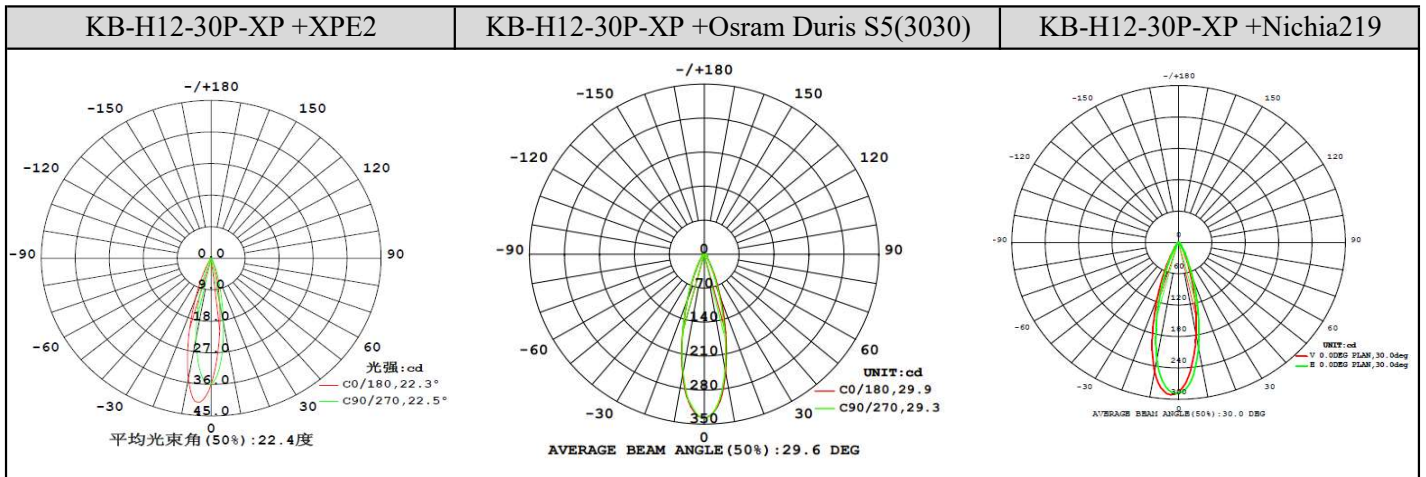
安装方式 | Fastening: Glue/Tape  
 支架颜色 | Holder Color: White/Black  
 透光率 | Transmittance: 93%  
 匹配LED | Match Led: Dome/Flat 3030|3535 Leds

Part Number	Match Led	Dimension	Beam Angle
KB-H12-12-LG	LG 3535	Φ13.0*H6.9mm	~22°
KB-H12-12-XP	Cree XP/Osram Oslon	Φ13.0*H6.9mm	~12°
KB-H12-30-XP	Cree XP/Osram Oslon	Φ13.0*H6.9mm	~20°
KB-H12-30P-XP	Cree XP/Osram Oslon/3030	Φ13.0*H6.9mm	~25°
KB-H12-45P-XP	Cree XP/Osram Oslon/3030	Φ13.0*H6.9mm	~45°
KB-H12-45P-LG	LG 3535	Φ13.0*H6.9mm	~45°
KB-H12-60P-XP	Cree XP/Osram Oslon/3030	Φ13.0*H6.9mm	~60°
KB-H12-90P-XP	Cree XP/Osram Oslon/3030	Φ13.0*H6.9mm	~80°
KB-H12-2550-XP	Cree XP/Osram Oslon/3030	Φ13.0*H6.9mm	~20*35°

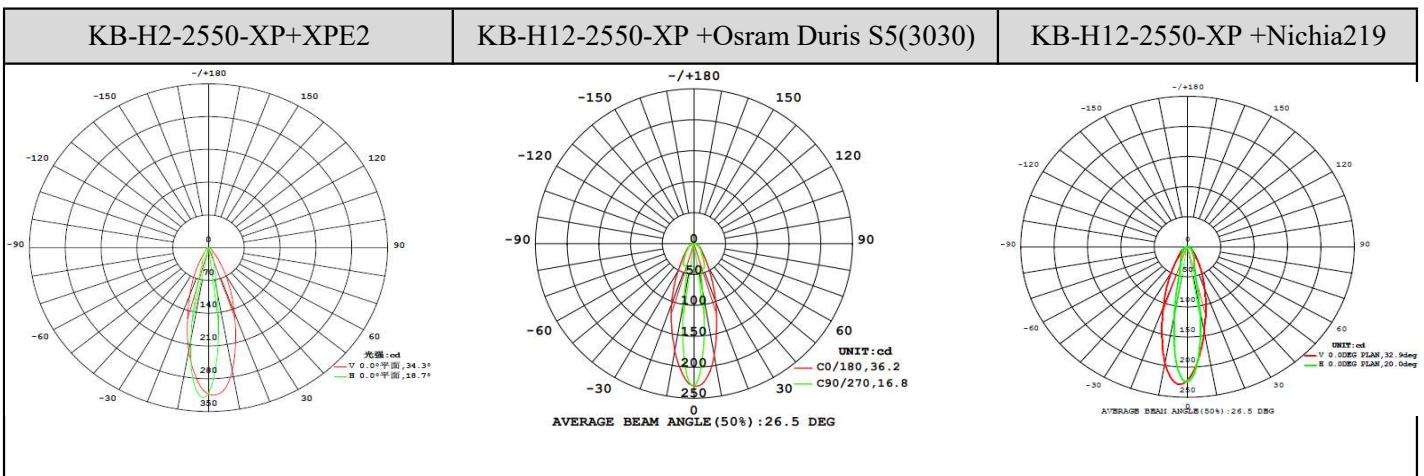
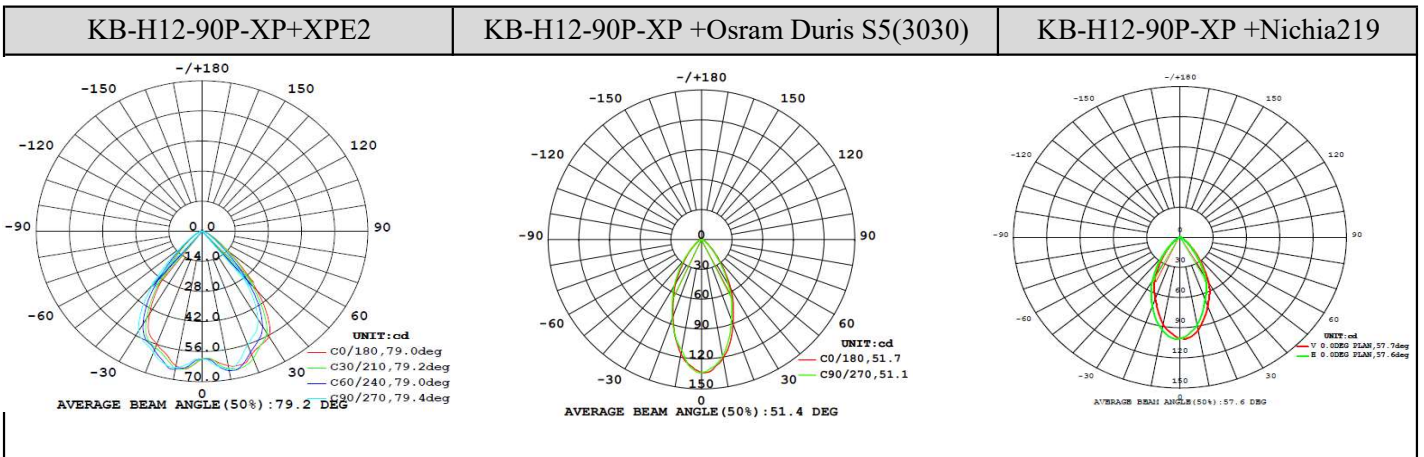
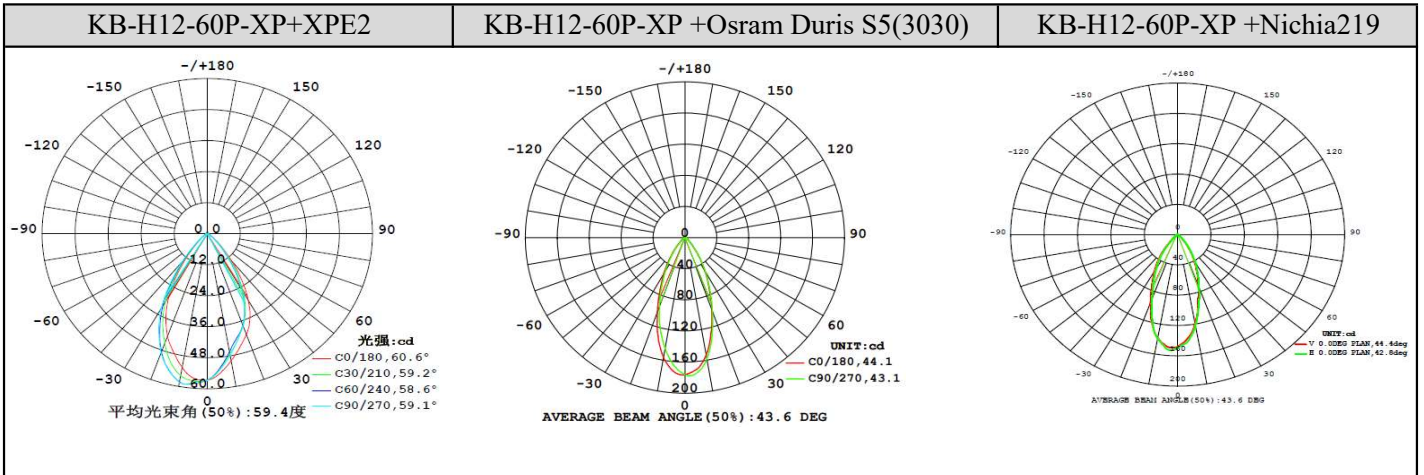
**Light Distribution Curve (配光曲线图):**



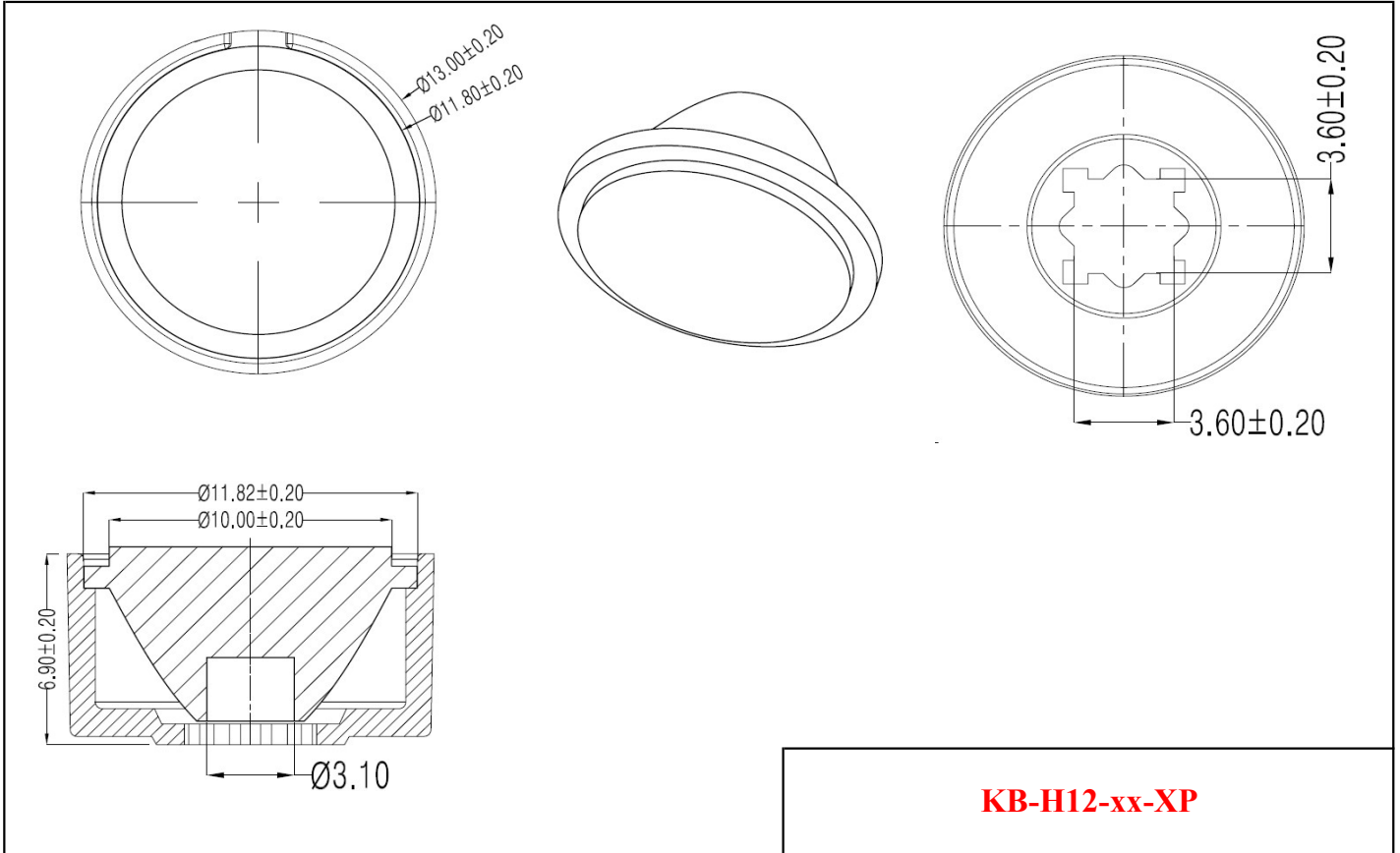
**Light Distribution Curve (配光曲线图):**





**Light Distribution Curve (配光曲线图):**



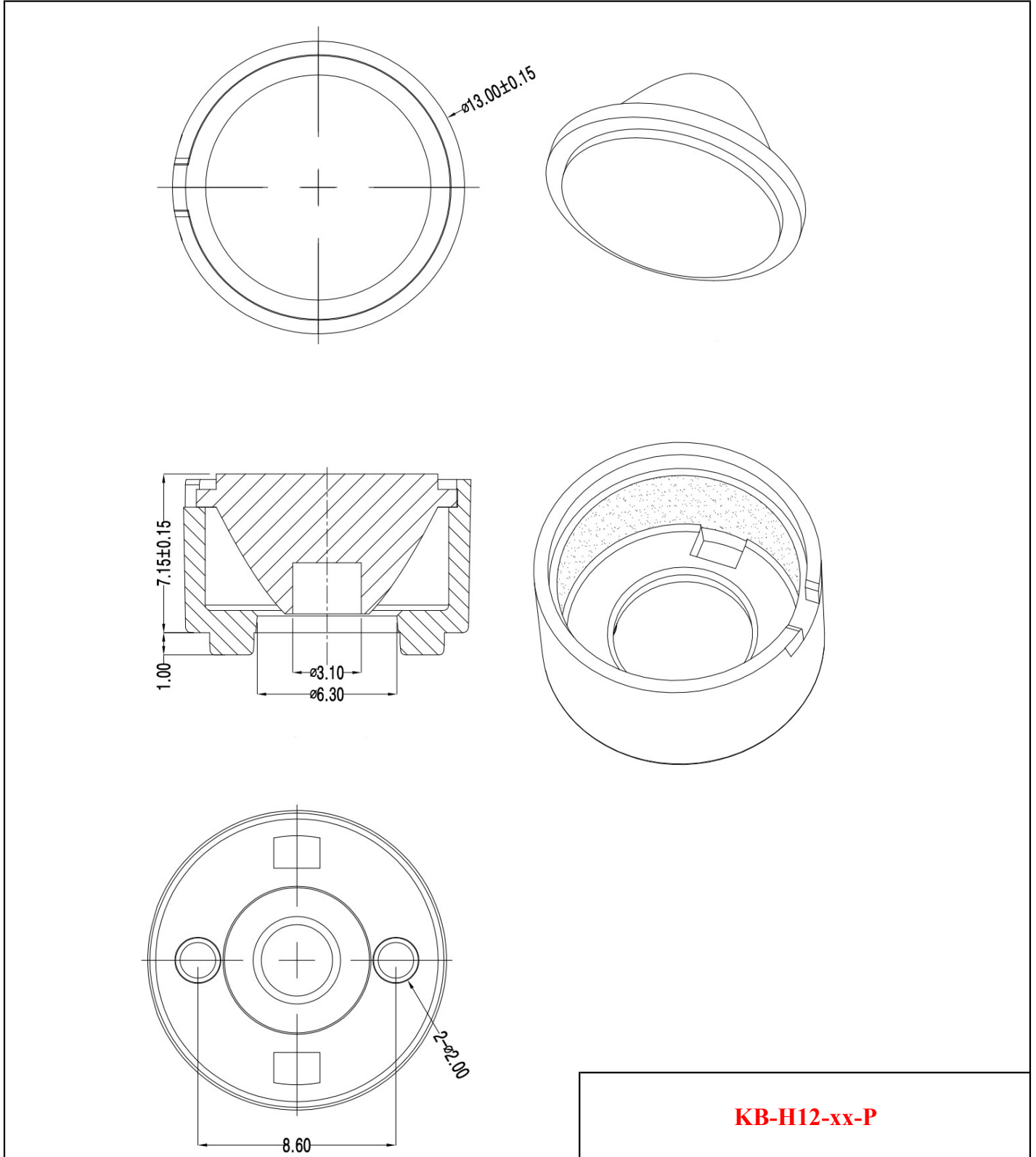
**Mechanical Characteristics (产品尺寸):**



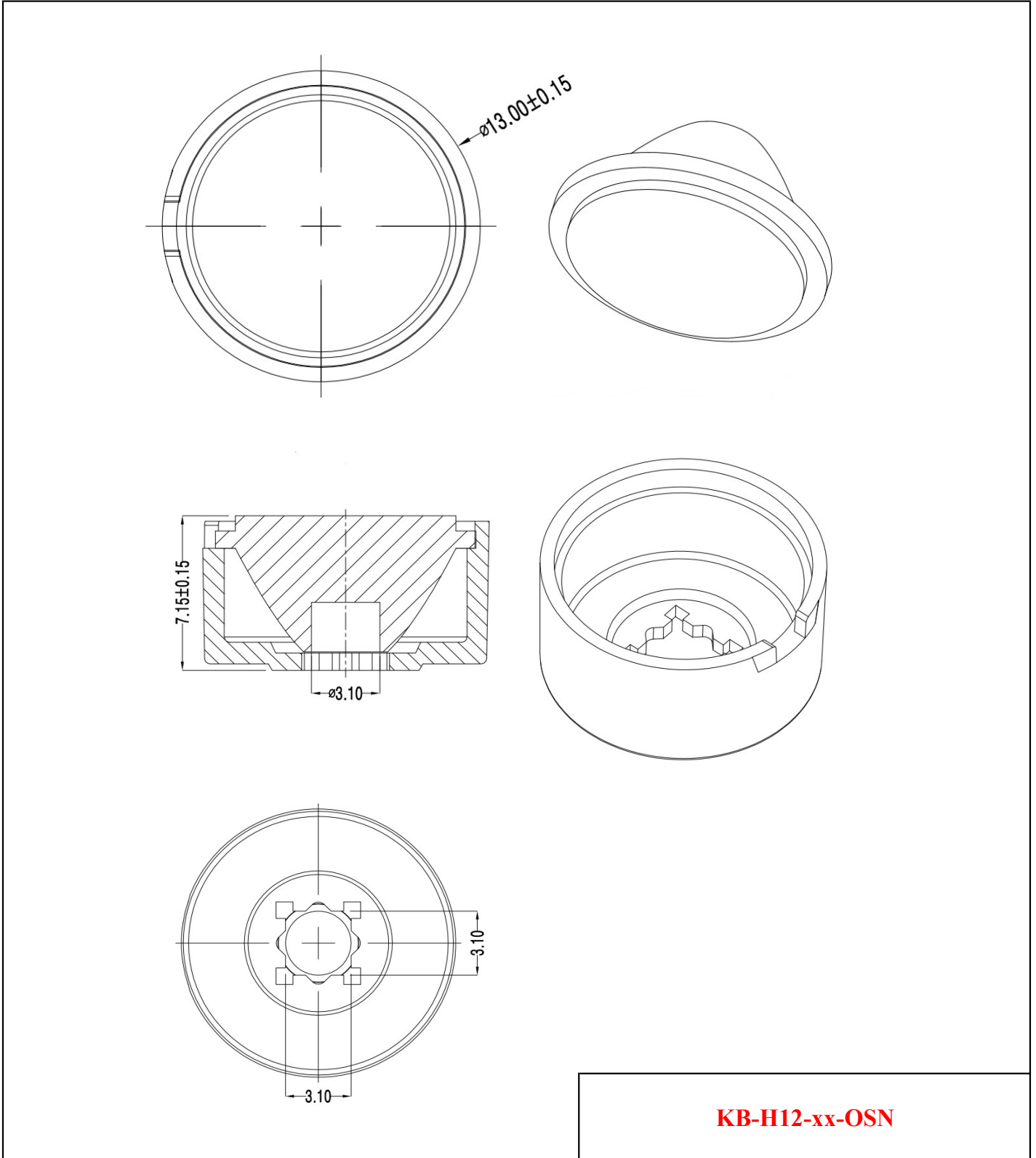
**Product Package (产品包装):**

Inner Box (内盒)	Outer Carton (外箱)
	
Lens+Holder version 1100pcs/box Gross weight: 1kg/box Carton dimension: 64*29*26cm	Lens+Holder+Tape version 960pcs/box with tape Gross weight: 0.90kg/box Carton dimension: 64*29*26cm 20boxes/carton 19kg/carton

Mechanical Characteristics (产品尺寸):



Mechanical Characteristics (产品尺寸):



**Adhesive tape used in optics and assemblies**

KingBrite supplied with double-sided high performance foam based adhesive tape. This tape is specifically selected for this application. The foam is a polyurethane(PU) material. There is an acrylic pressure-sensitive adhesive coating on both sides. These tapes have been manufactured for over twenty years during which time no justified complaints of premature ageing have been received.

Generally these tapes work well with the LEDs on the market, but each customer must take necessary measures to ensure complete compatibility with his particular product and its components. Testing and verifying of the adhesives and their combinations is always on the customer's responsibility. For extreme conditions (heavy or prolonged exposure to high ultraviolet radiation, moisture, temperature changes, constant or sudden vibrations etc.) KingBrite recommends to use glue or screws to ensure reliable operation. Please take note of the Instructions of Use below

**Technical information**

- \* Thickness: 0.4mm
- \* Installation pressure: 15 psi (100 kPa)
- \* Assembly temperature range: +18°C ~ +40°C
- \* Curing time for end strength: 24hours
- \* Work temperature: -40°C ~ +120°C
- \* Excellent UV-resistance, suitable for both indoor&outdoor lighting
- \* Shelf life: 2 years from purchase

90° Peel Adhesion	N/100mm (lb/in)	260 (15)	ASTM D3330
Dynamic Shear Strength	kPa (lb/in <sup>2</sup> )	690 (100)	ASTM D-1002
Normal Tensile	kPa (lb/in <sup>2</sup> )	1100 (160)	ASTM D-897

- 1, Ensure the assembled pcb is straight, so the tape can be fully stuck to the surface.
- 2, Ensure the assembled pcb is clean and dry, any dirt or unknown chemicals may affect the tape viscous force.
- 3, Stress lens 1~5 seconds after assembly to ensure 100% bond.
- 4, Check lens one by one after assembly to ensure all lens are stucked properly, picked it off to stick again or replace with a new tape if lens was stucked to led perfectly and caused suspended.

**NOTE: Firm application pressure develops better adhesive contact and helps improve bond strength. Typically, good surface contact can be attained by applying enough pressure to insure that the tape experiences approximately 15 psi(100 kPa)pressure. Note that rigid surfaces may require 2 or 3 times that much pressure to make the tape experience 15 psi. (aluminum pcb belongs to rigid surface)**

**Disclaimer**

KingBrite cannot take responsibility for the results obtained by others whose methods we can not control. It is always the customer's responsibility to determine the adhesive's suitability for their products and to take precautions for protection of property and persons against any hazards that may involved in the handling and use of adhesives. KingBrite disclaims all warranties, including warranties of merchantability or suitability for a particular purpose, arising from use of any adhesive product. KingBrite disclaims any liability for consequential or incidental damages of any kind, including lost profits.