

Product Parameters (产品描述)

产品编号 | Part Number: KB-H14-xxF-XP/OSN/5050
 出光角度 | Beam Angle: 25/35/55/25*40°
 产品材料 | Material: PMMA
 工作温度 | Work Temp: <85℃

安装方式 | Fastening: Glue/Tape
 支架颜色 | Holder Color: White
 透光率 | Transmittance: 93%
 匹配LED | Match Led: Cree XP/Oslon/SMD3030

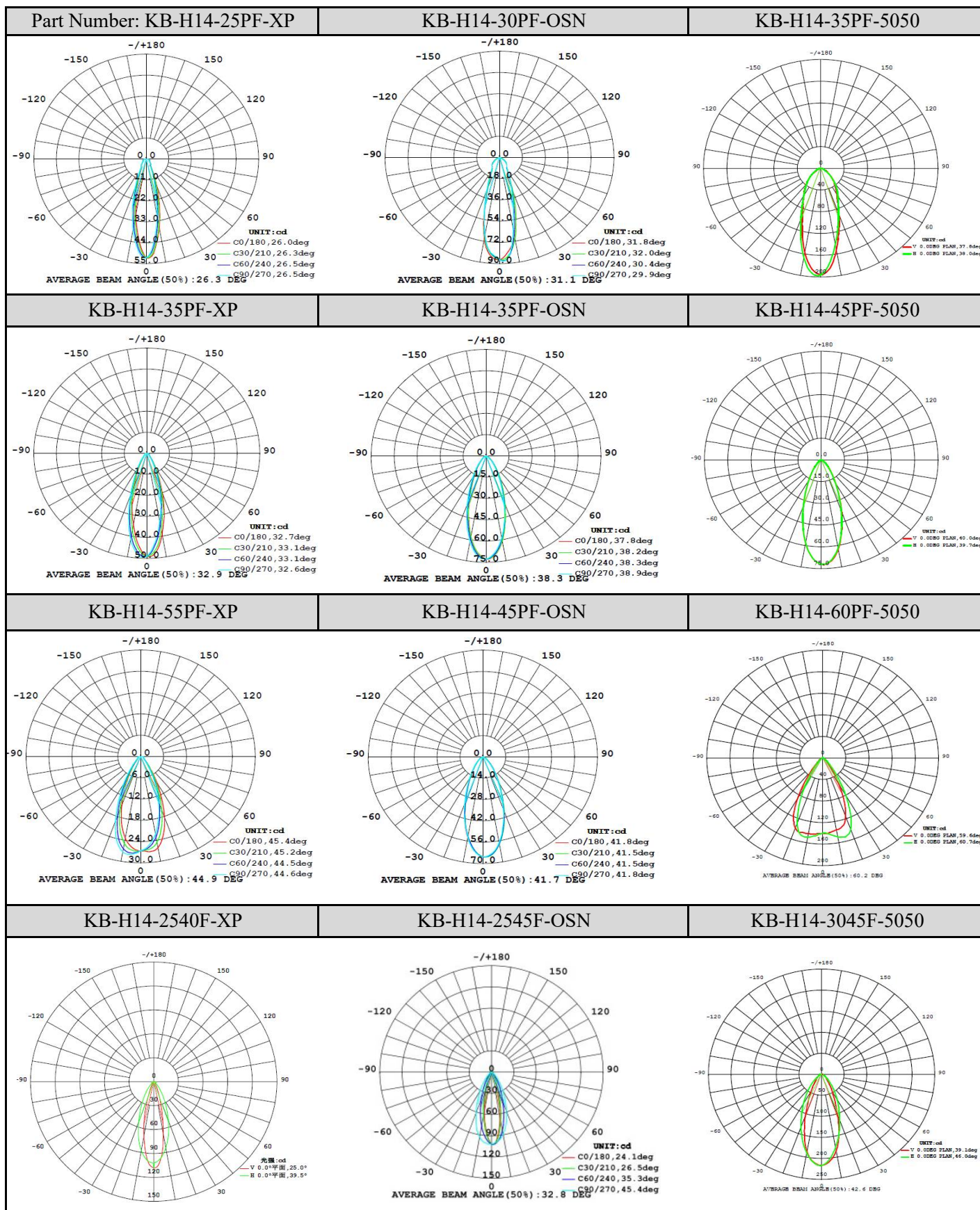
Part Number	Match Led	Dimension	Beam Angle
KB-H14-25PF-XP	Cree XP/3535	Φ14*H8.35mm	~25°
KB-H14-35PF-XP	Cree XP/3535	Φ14*H8.35mm	~35°
KB-H14-55PF-XP	Cree XP/3535	Φ14*H8.35mm	~55°
KB-H14-2540F-XP	Cree XP/3535	Φ14*H8.35mm	~25*40°
KB-H14-30PF-OSN	Osram Oslon/SMD3030	Φ14*H8.35mm	~30°
KB-H14-35PF-OSN	Osram Oslon/SMD3030	Φ14*H8.35mm	~35°
KB-H14-45PF-OSN	Osram Oslon/SMD3030	Φ14*H8.35mm	~45°
KB-H14-2545F-OSN	Osram Oslon/SMD3030	Φ14*H8.35mm	~25*45°
KB-H14-35PF-5050	SMD5050	Φ14*H8.35mm	~35°
KB-H14-45PF-5050	SMD5050	Φ14*H8.35mm	~45°
KB-H14-60PF-5050	SMD5050	Φ14*H8.35mm	~60°
KB-H14-3045F-5050	SMD5050	Φ14*H8.35mm	~30*45°

Direction for Use

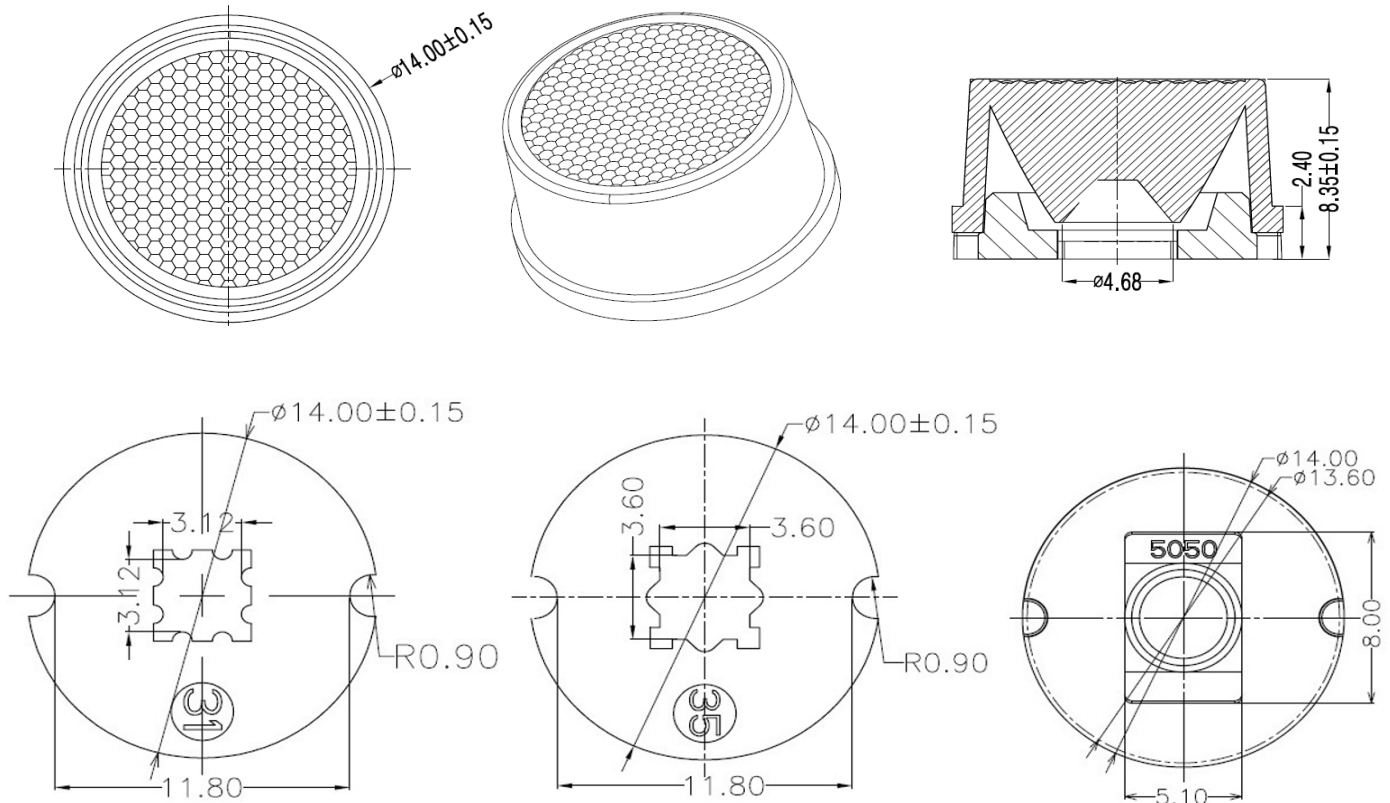
(透镜 | LENS)

- 1, Please use some soft paper or pure water to clean lens (reflector)
- 2, Don't use any industrial solvent to clean lens surface , such as alcohol
- 3, Storage environment : Temperature 0~40℃ , Humidity 30%~95%
- 4, This kind of lens can make the lighting more concentrated, and it's made from transparent material , so please do not open the packages until you use them, in case of the dust and other pollutions.

Light Distribution Curve (配光曲线图):



Mechanical Characteristics (产品尺寸):





Holder for: Osram Oslon/SMD3030

Holder for: Cree XP/3535

Holder for SMD5050

Product Package (产品包装):

Inner Box (内盒)	Outer Carton (外箱)
	
<p>Lens+Holder version 600pcs/box Gross weight: 685g/box 14.5kg/carton Carton dimension: 64*29*26cm</p>	<p>Lens+Holder+Tape version 1152pcs/box with tape Gross weight: 1.4kg/box 19kg/carton Carton dimension: 64*29*26cm</p>

Adhesive tape used in optics and assemblies

KingBrite supplied with double-sided high performance acrylic based adhesive tape. This tape is specifically selected for this application. The foam is a polyurethane(PU) material. There is an acrylic pressure-sensitive adhesive coating on both sides. These tapes have been manufactured for over twenty years during which time no justified complaints of permature ageing have been received.

Generally these tapes work well with the LEDs on the market, but each customer must take necessary measures to ensure complete compatibility with his particular product and its components. Testing and verifying of the adhesives and their combinations is always on the customer's responsibility. For extreme conditions (heavy or prolonged exposure to high ultraviolet radiation, moisture, temperature changes, constant or sudden vibrations etc.) KingBrite recommends to use glue or screws to ensure reliable operation. Please take note of the Instructions of Use below

Technical information

- * Thickness: 0.4mm
- * Installation pressure: 10N/cm²
- * Assembly temperature range: +18°C ~ +40°C
- * Curing time for end strength: 24hours
- * Work temperature: -40°C ~ +120°C
- * Excellent Uvresistance, suitable for both indoor&outdoor lighting
- * Shelf life: 2 years from purchase

90° Peel Adhesion	N/10mm (lb/in)	30(17)	ASTM D3330
Dynamic Shear Strength	kPa (lb/in ²)	580(93)	ASTM D-1002
Normal Tensile	kPa (lb/in ²)	770(48)	ASTM D-897
Static Shear Strength	Grams Weight that ½ square inch will hold 10,000 minutes(7days)	22°C (72°F) 66°C (150°F) 93°C (200°F) 121°C (250°F) 177°C (350°F)	1000 500 500 ASTM 3654

- 1, Ensure the assembled pcb is straight, so the tape can be fully stucked to the surface.
- 2, Ensure the assembled pcb is clean and dry, any dirt or unknown chemicals may affect the tape viscous force.
- 3, Stress lens 1~5 seconds after assembly to ensure 100% bond.
- 4, Check lens one by one after assembly to ensure all lens are stucked properly, if lens was not stucked to led perfectly, lens will be a bit suspended, picked it off to stick again or replace with a new tape.

Disclaimer

KingBrite cannot take responsibility for the results obtained by others whose methods we can not control. It is always the customer's responsibility to determine the adhesive's suitability for their products and to take precautions for pertection of property and persons against any hazards that may involved in the handling and use of adhesives. KingBrite disclaims all warranties, including warranties of merchantability or suitability for a particular purpose, arising from use of any adhesive product. KingBrite disclaims any liability for consequential or incidental damages of any kind, including lost profits.