

Product Parameters (产品描述)

产品编号 Part Number: KB-H16-xxF-2835	安装方式 Fastening: Glue
出光角度 Beam Angle: 20/30/45/60/25*35/20*30/20*50°	支架颜色 Holder Color: N/A
产品材料 Material: PC	透光率 Transmittance: 93%
工作温度 Work Temp: <110℃	匹配LED Match Led: SMD2835/3030

Part Number	Lens Surface	Dimension	Beam Angle
KB-H16-20PF-2835	珠面/beads	Φ15.7*H8.2mm	~20°
KB-H16-30PF-2835	珠面/beads	Φ15.7*H8.2mm	~30°
KB-H16-45PF-2835	珠面/beads	Φ15.7*H8.2mm	~45°
KB-H16-60PF-2835	珠面/beads	Φ15.7*H8.2mm	~60°
KB-H16-2535F-2835	条纹面/strip	Φ15.7*H8.2mm	~25*35°
KB-H16-2030MF-2835	磨砂条纹面/matt+strip	Φ15.7*H8.2mm	~20*30°
KB-H16-2050F-2835	条纹面/strip	Φ15.7*H8.2mm	~20*50°

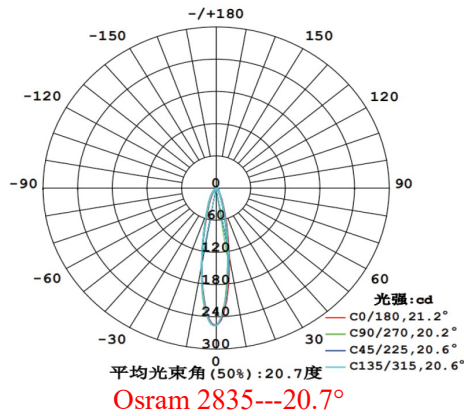
Direction for Use

(透镜 | LENS)

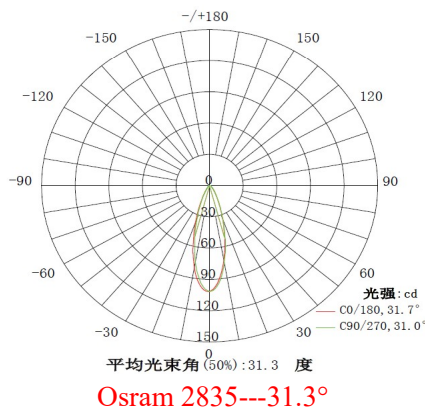
- 1, Please use some soft paper or pure water to clean lens (reflector)
- 2, Don't use any industrial solvent to clean lens surface , such as alcohol
- 3, Storage environment : Temperature 0~40℃ , Humidity 30%~95%
- 4, This kind of lens can make the lighting more concentrated, and it's made from transparent material , so please do not open the packages until you use them, in case of the dust and other pollutions.

Light Distribution Curve (配光曲线图):

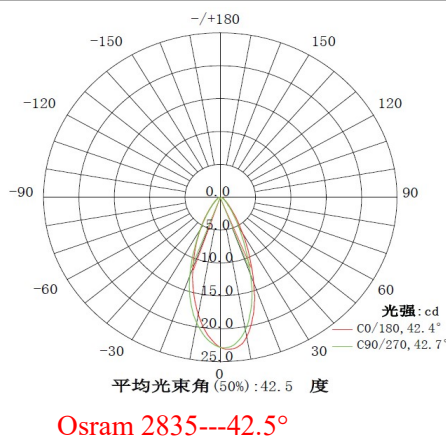
Part Number: KB-H16-20PF-2835



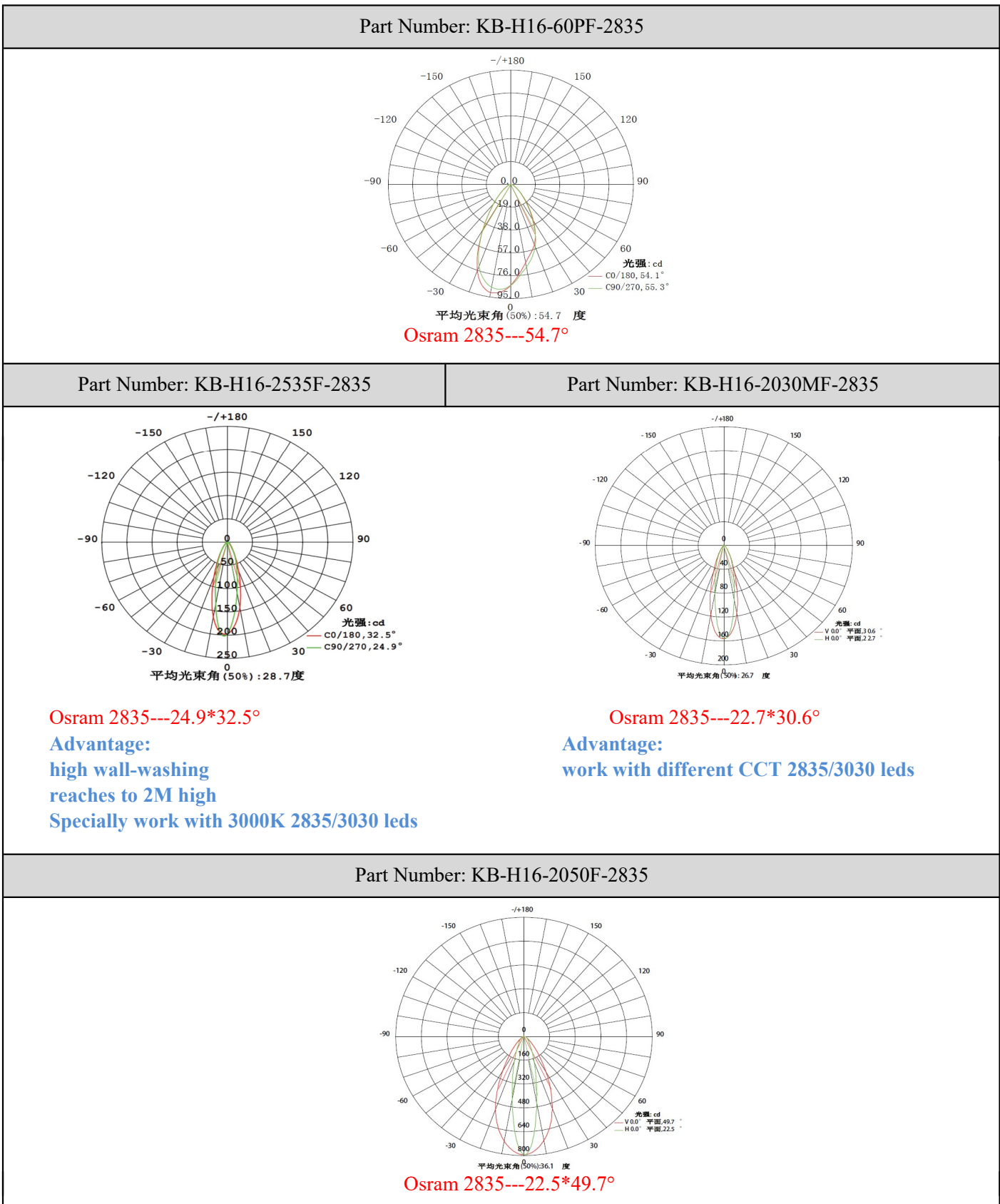
Part Number: KB-H16-30PF-2835



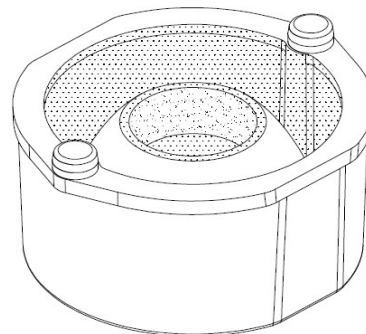
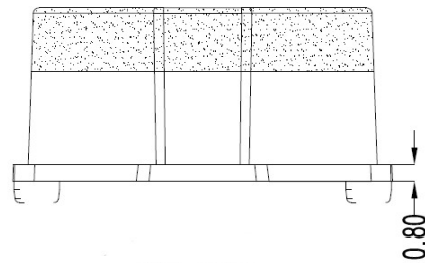
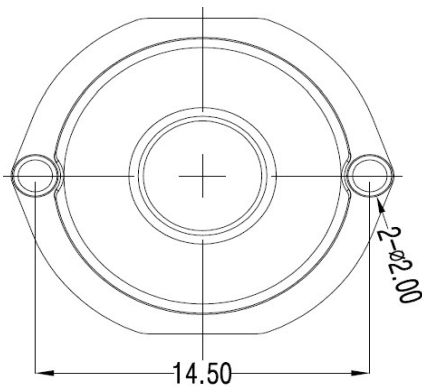
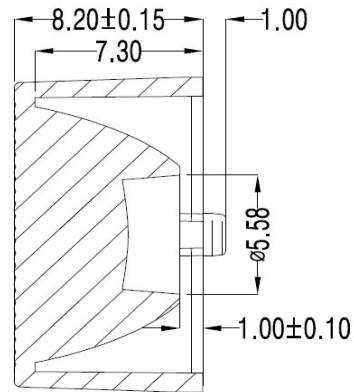
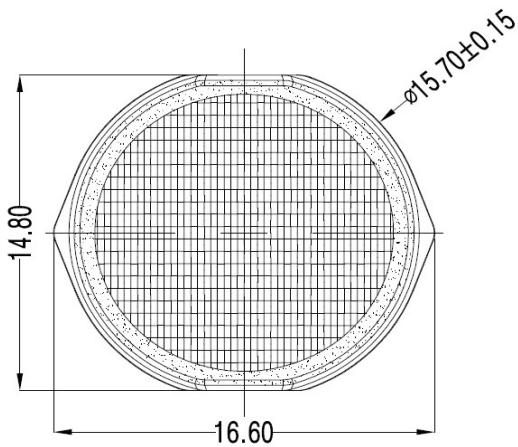
Part Number: KB-H16-45PF-2835





Light Distribution Curve (配光曲线图):



Mechanical Characteristics (产品尺寸):



Product Package (产品包装):

Inner Box (内盒)	Outer Carton (外箱)
	
<p>600pcs/bag 1 bag/box Gross weight: 685g/box Box dimension: 12.2*12.3*13.4cm</p>	<p>20boxes/carton 12,000pcs/carton Gross weight: 14.5kg/CTN Carton Dimension: 64*29*26cm</p>