



Product Parameters (产品描述)

产品编号 | Part Number: KB-H16-xxF-5050
出光角度 | Beam Angle: 30/45/30*50°
产品材料 | Material: PC
工作温度 | Work Temp: <110°C

安装方式 | Fastening: Glue+Pins
支架颜色 | Holder Color: N/A
透光率 | Transmittance: 93%
匹配LED | Match Led: SMD5050

Part Number	Lens Surface	Dimension	Beam Angle
KB-H16-30PF-2835	珠面/beads	Φ15.6*H8.7mm	~30°
KB-H16-45PF-2835	珠面/beads	Φ15.6*H8.7mm	~45°
KB-H16-3050F-2835	条纹/strip	Φ15.6*H8.7mm	~30*50°

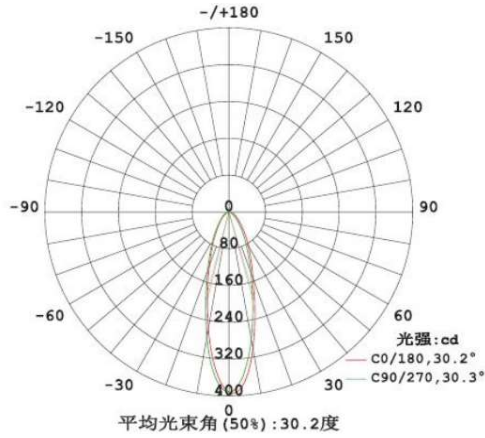
Direction for Use

(透镜 | LENS)

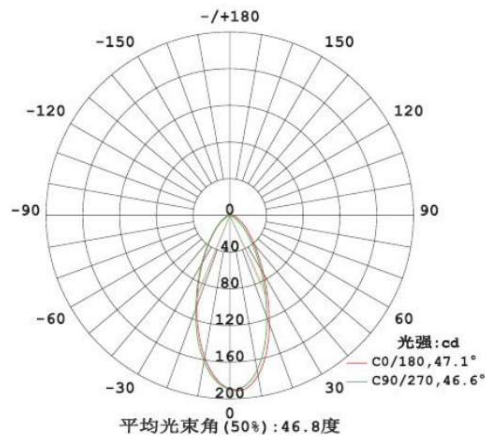
- 1, Please use some soft paper or pure water to clean lens (reflector)
- 2, Don't use any industrial solvent to clean lens surface , such as alcohol
- 3, Storage environment : Temperature 0~40°C , Humidity 30%~95%
- 4, This kind of lens can make the lighting more concentrated, and it's made from transparent material , so please do not open the packages until you use them, in case of the dust and other pollutions.

Light Distribution Curve (配光曲线图):

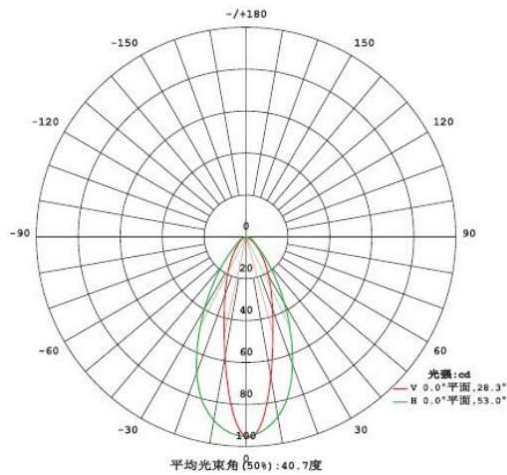
Part Number: KB-H16-30PF-5050



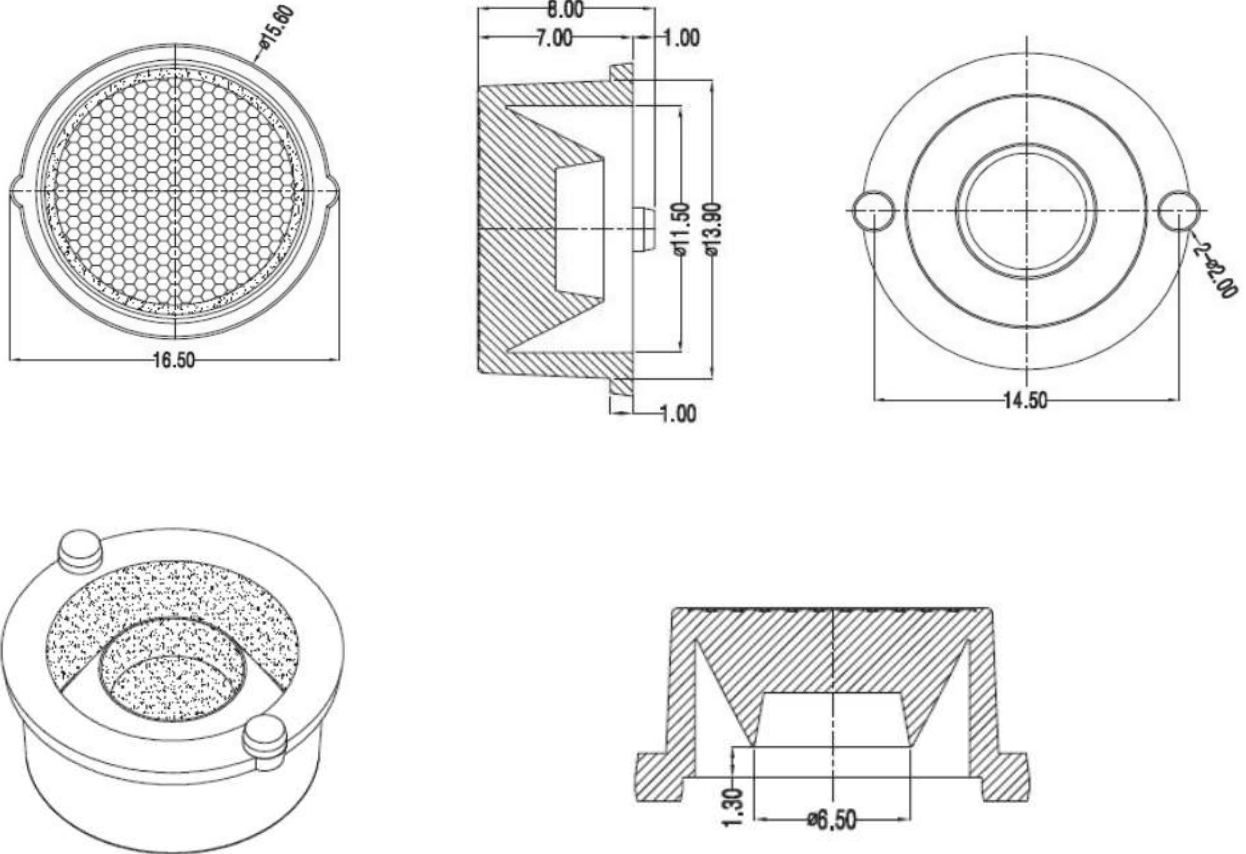
Part Number: KB-H16-45PF-5050





Part Number: KB-H16-3050F-5050



Mechanical Characteristics (产品尺寸):



Product Package (产品包装):

Inner Box (内盒)	Outer Carton (外箱)
	
<p>600pcs/bag 1 bag/box Gross weight: 685g/box Box dimension: 12.2*12.3*13.4cm</p>	<p>20boxes/carton 12,000pcs/carton Gross weight: 14.5kg/CTN Carton Dimension: 64*29*26cm</p>