



### Product Parameters (产品描述)

|                     |                       |                      |                    |
|---------------------|-----------------------|----------------------|--------------------|
| 产品编号   Part Number: | KB-H29-5-XP/XML-HW/HB | 安装方式   Fastening:    | Glue               |
| 出光角度   Beam Angle:  | ~5°                   | 支架颜色   Holder Color: | White/Black        |
| 产品材料   Material:    | PMMA+PC               | 透光率   Transmittance: | 93%                |
| 工作温度   Work Temp:   | <85°C                 | 匹配LED   Match Led:   | Dome 3535/5050 Led |

| Part Number     | Material |        | Dimension                    | Beam Angle |
|-----------------|----------|--------|------------------------------|------------|
|                 | Lens     | Holder |                              |            |
| KB-H29-5-XP-HW  | PMMA     | PC     | Φ29*H16.4mm / Φ31.5*H18.25mm | ~5°        |
| KB-H29-5-XP-HB  | PMMA     | PC     | Φ29*H16.4mm / Φ31.5*H18.25mm | ~5°        |
| KB-H29-5-XML-HW | PMMA     | PC     | Φ29*H16.4mm / Φ31.5*H18.25mm | ~11°       |
| KB-H29-5-XML-HB | PMMA     | PC     | Φ29*H16.4mm / Φ31.5*H18.25mm | ~11°       |

### Direction for Use

#### (透镜 | LENS)

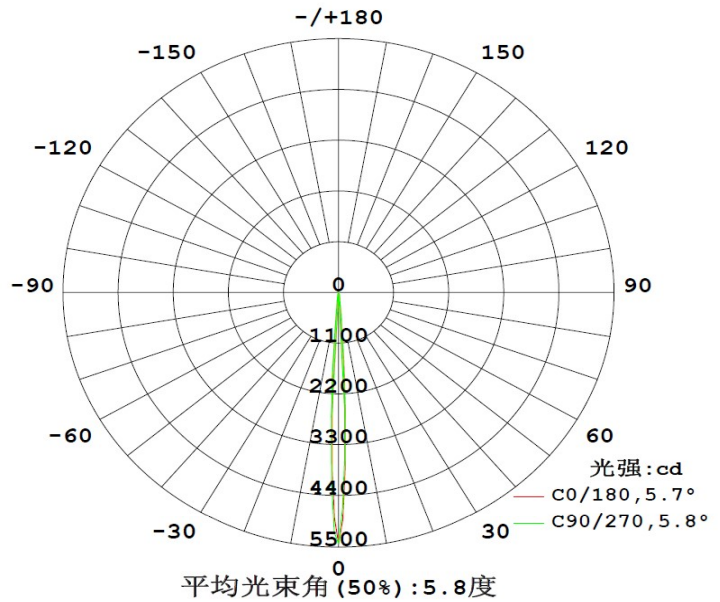
- 1, Please use some soft paper or pure water to clean lens ( reflector)
- 2, Don't use any industrial solvent to clean lens surface , such as alcohol
- 3, Storage environment : Temperature 0~40°C , Humidity 30%~95%
- 4, This kind of lens can make the lighting more concentrated, and it's made from transparent material , so please do not open the packages until you use them, in case of the dust and other pollutions.

**Light Distribution Curve (配光曲线图):**

**Part Number: KB-H29-5-XP-HW/HB**

**Beam Angle: 5.8°**

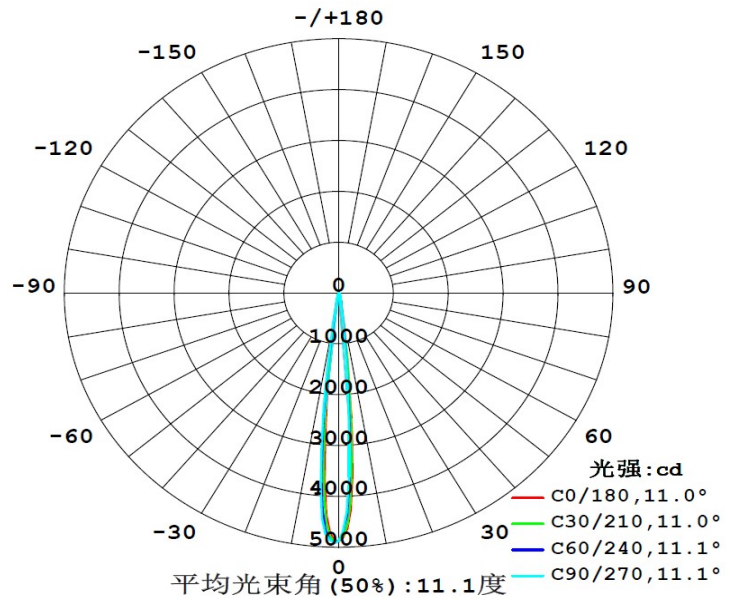
**Tested Led: Cree XPE2**



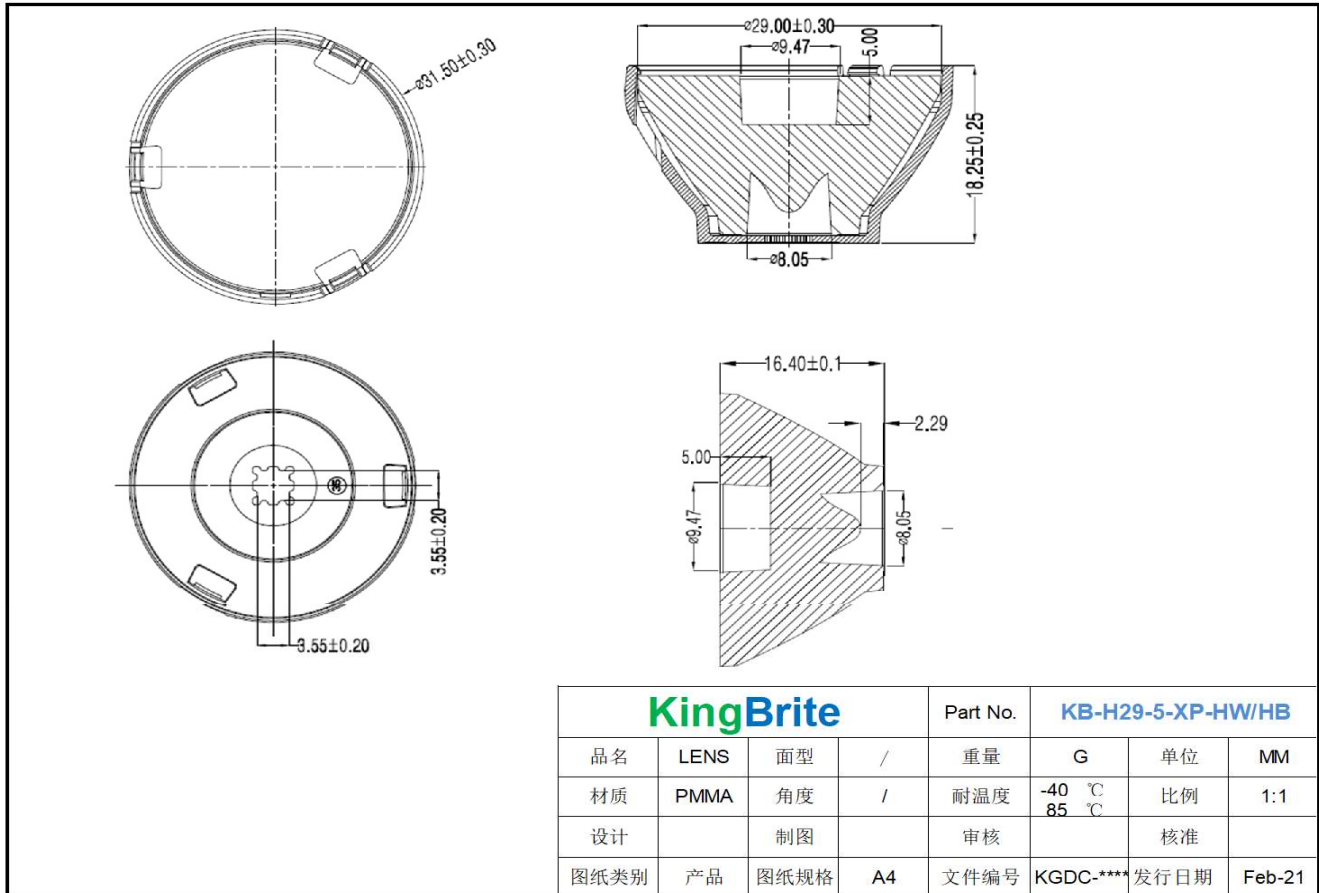
**Part Number: KB-H29-5-XML-HW/HB**

**Beam Angle: 11.1°**

**Tested Led: Cree XML White**



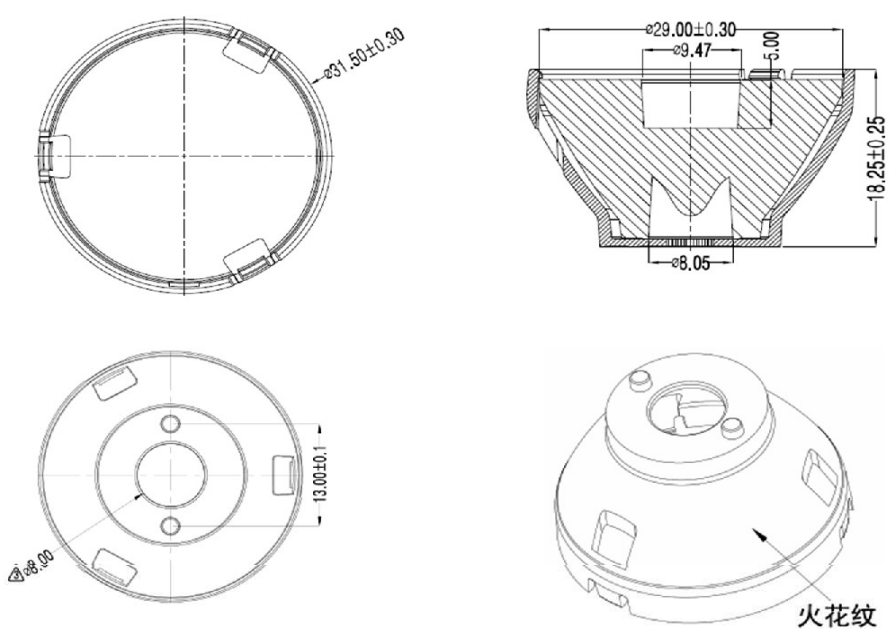
**Mechanical Characteristics (产品尺寸):**



**Product Package (产品包装):**



**Mechanical Characteristics (产品尺寸):**



Technical drawings of the LED lens showing dimensions:

- Top view: Outer diameter  $\varnothing 31.80 \pm 0.30$ , inner diameter  $\varnothing 29.00$ , and a distance of  $13.00 \pm 0.1$  from the center to the mounting tabs.
- Side view: Total height  $18.25 \pm 0.25$ , top diameter  $\varnothing 29.00 \pm 0.30$ , mounting hole diameter  $\varnothing 9.47$ , and a distance of  $5.00$  from the top edge to the mounting holes. The base diameter is  $\varnothing 8.05$ .
- Perspective view: Shows the lens with a "火花纹" (flame pattern) on the bottom surface.

|                  |      |      |    |          |                           |      |        |
|------------------|------|------|----|----------|---------------------------|------|--------|
| <b>KingBrite</b> |      |      |    | Part No. | <b>KB-H29-5-XML-HW/HB</b> |      |        |
| 品名               | LENS | 面型   | /  | 重量       | G                         | 单位   | MM     |
| 材质               | PMMA | 角度   | /  | 耐温度      | -40 ℃<br>85 ℃             | 比例   | 1:1    |
| 设计               |      | 制图   |    | 审核       |                           | 核准   |        |
| 图纸类别             | 产品   | 图纸规格 | A4 | 文件编号     | KGDC-****                 | 发行日期 | Feb-21 |

**Product Package (产品包装):**

|   |  |
|---|--|
|  |  |
| <p>300pcs/Box<br/>2.4kg/Box</p>   | <p>8boxes/2400pcs/Carton<br/>Gross weight: 20kg/carton<br/>Dimension: 40*40*44cm</p> |