

Product Parameters (产品描述)

出光角度 | Beam Angle: 10/15/25/30/45/60/70°
 产品材料 | Material: PMMA
 工作温度 | Work Temp: <85°C

支架颜色 | Holder Color: N/A
 透光率 | Transmittance: 93%
 匹配LED | Match Led: Dome/Flat 3030|353

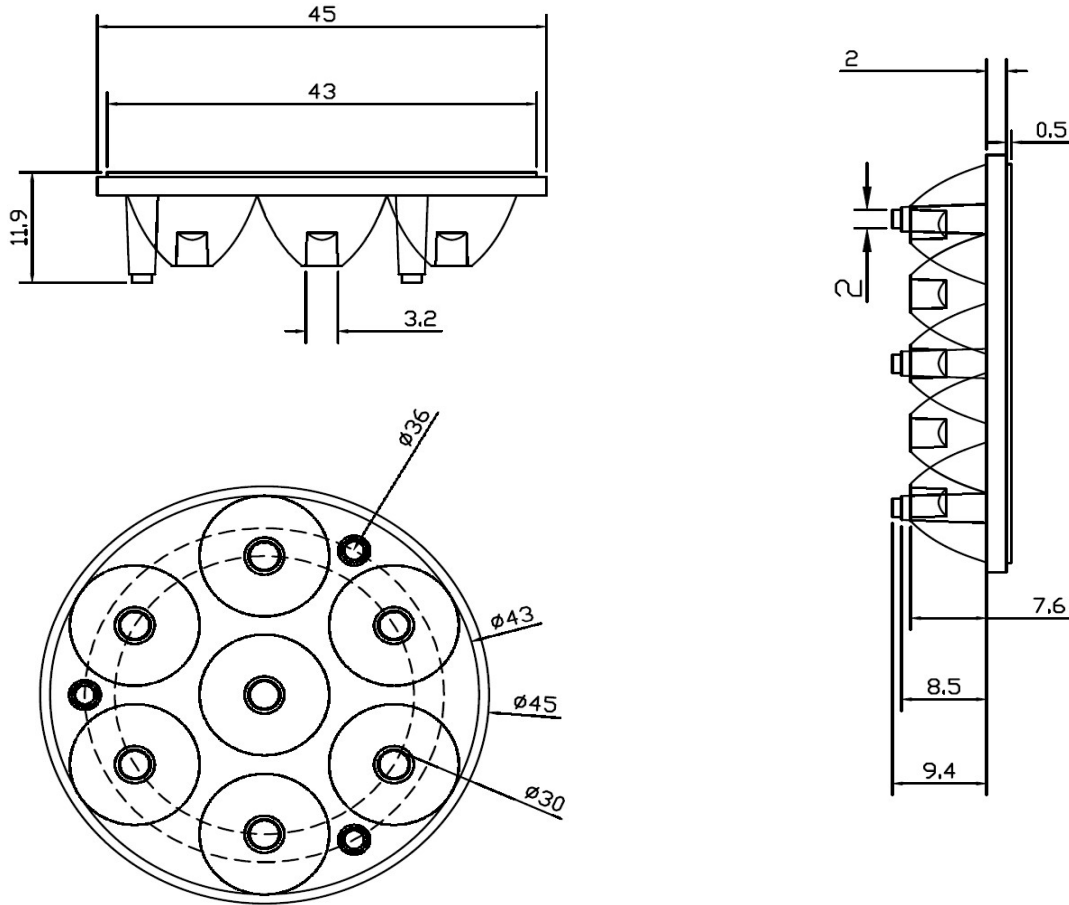
Part Number	Lens Surface	Dimension	Beam Angle
KB-P45-10-7-XP	transparent	Φ45.0*H11.0mm	~10°
KB-P45-15-7-XP	transparent	Φ45.0*H11.0mm	~15°
KB-P45-25-7-XP	transparent	Φ45.0*H11.0mm	~25°
KB-P45-30-7-XP	transparent	Φ45.0*H11.0mm	~30°
KB-P45-45-7-XP	transparent	Φ45.0*H11.0mm	~45°
KB-P45-60-7-XP	transparent	Φ45.0*H11.0mm	~60°
KB-P45-70-7-XP	transparent	Φ45.0*H11.0mm	~70°
KB-P45-10P-7-XP	beads	Φ45.0*H11.0mm	~10°
KB-P45-15P-7-XP	beads	Φ45.0*H11.0mm	~15°
KB-P45-25P-7-XP	beads	Φ45.0*H11.0mm	~25°
KB-P45-30P-7-XP	beads	Φ45.0*H11.0mm	~30°
KB-P45-45P-7-XP	beads	Φ45.0*H11.0mm	~45°
KB-P45-60P-7-XP	beads	Φ45.0*H11.0mm	~60°
KB-P45-70P-7-XP	beads	Φ45.0*H11.0mm	~70°

Direction for Use



(透镜 | LENS)

- 1, Please use some soft paper or pure water to clean lens (reflector)
- 2, Don't use any industrial solvent to clean lens surface , such as alcohol
- 3, Storage environment : Temperature 0~40°C , Humidity 30%~95%
- 4, This kind of lens can make the lighting more concentrated, and it's made from transparent material , so please do not open the packages until you use them, in case of the dust and other pollutions.

Mechanical Characteristics (产品尺寸):



Product Package (产品包装):

Inner Box (内盒)	Outer Carton (外箱)
	
<p>49pcs/box Gross weight: 0.56kg/box Box dimension: 16*12*9cm</p>	<p>25boxes/carton 1,225pcs/carton Gross weight: 144.7kg/CTN Carton Dimension: 64*28*32cm</p>