

Product Parameters:

- * Product Name: Led Lens
- * Part Number : KB-PL13.5-OD20-180-2835
- * Product Size : $\phi 13.5 * H5.12\text{mm}$

- * Beam Angle : 180 degree
- * Material : PMMA
- * PCB hole-drilling: NO

- * Tolerance: $\pm 0.15\text{mm}$
- * Work Temperature : $-40 \sim 90^{\circ}\text{C}$
- * Transmittance: 93%

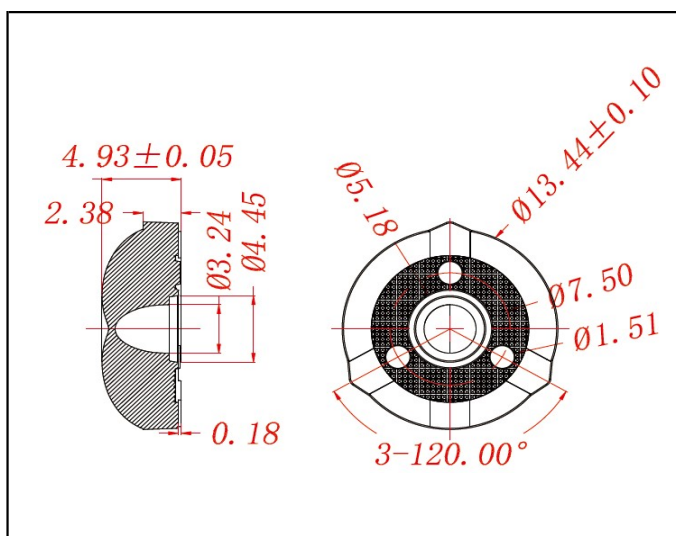
- * Application: led panel light (2cm thickness)
- * Assembly : Glue/SMT machine
- * Match Led : SMD2835 square



* Product Advantages

3 position pins on lens bottom are designed for accurate assembly, pcb size can be smaller than lens diameter.
Wide light distribution with smooth light spot and non-darkness.

Product Drawing:



Light Distribution Curve:

