

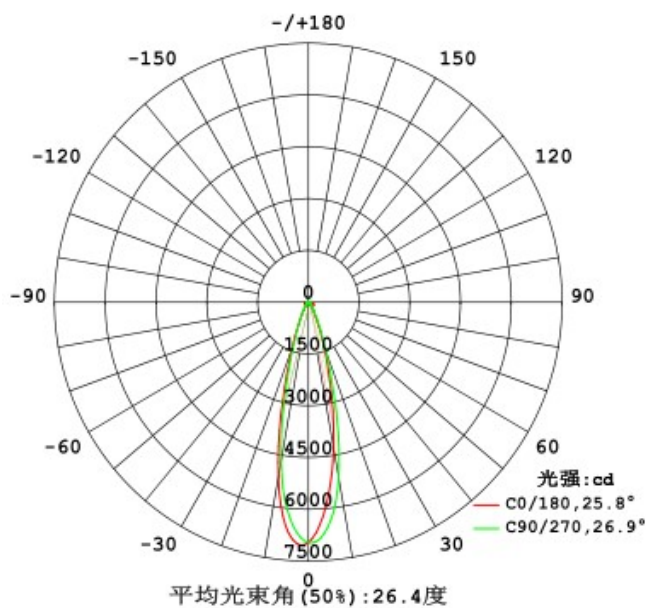
Specification

● Product Parameters:

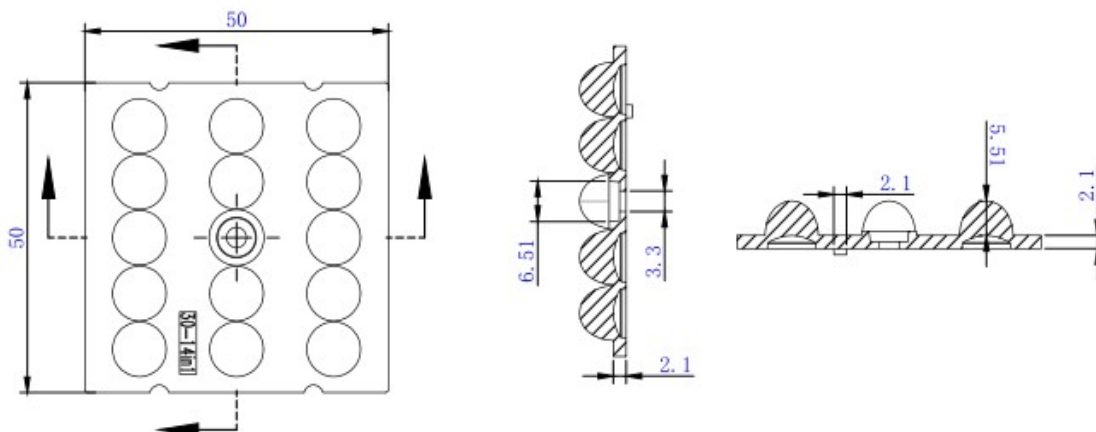
- ◆ ◆ Product Name: LED High Bay Lens
- ◆ ◆ Part Number: KB-HB14W-30-3030
- ◆ ◆ Dimension: L50*W50mm
- ◆ ◆ Beam Angle: 30°
- ◆ ◆ Compatible Led: SMD3030
- ◆ ◆ Material: PC
- ◆ ◆ Tolerance: $\pm 0.1\text{mm}$
- ◆ ◆ Working Temperature: PC - 40 to 110 °C
- ◆ ◆ Transmittance: 93%



● Optical Characteristics



● Mechanical Characteristics:



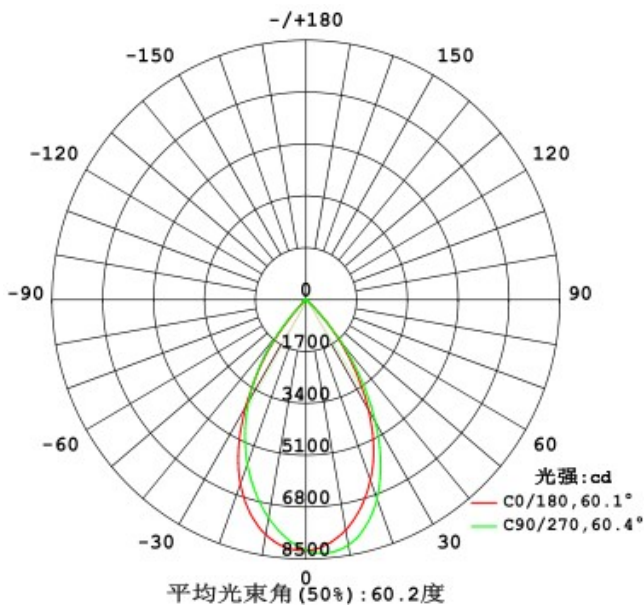
Specification

● Product Paramters:

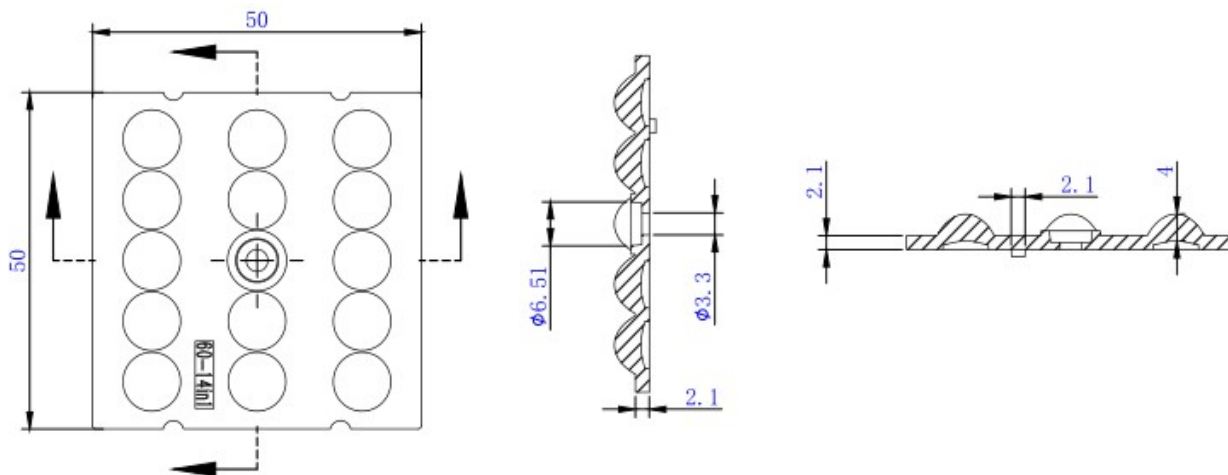
- ◆ ◆ Product Name: LED High Bay Lens
- ◆ ◆ Part Number: KB-HB14W-60-3030
- ◆ ◆ Dimension: L50*W50mm
- ◆ ◆ Beam Angle: 60°
- ◆ ◆ Compatible Led: SMD3030
- ◆ ◆ Material: PC
- ◆ ◆ Tolerance: ±0.1mm
- ◆ ◆ Working Temperature: PC - 40 to 110 °C
- ◆ ◆ Transmittance: 93%



● Optical Characteristics



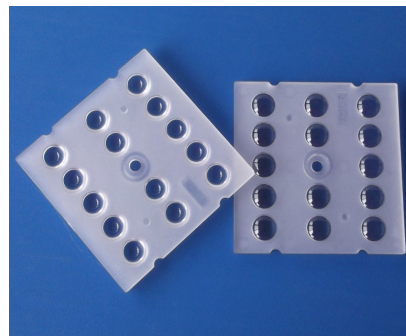
● Mechanical Characteristics:



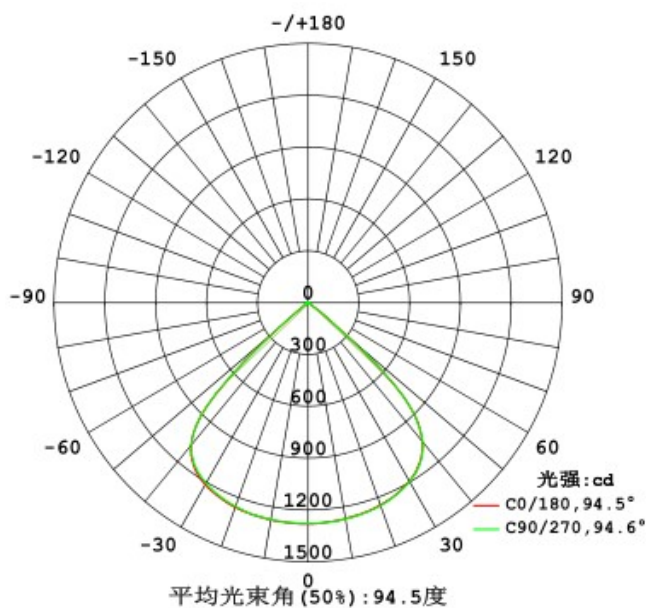
Specification

● Product Parameters:

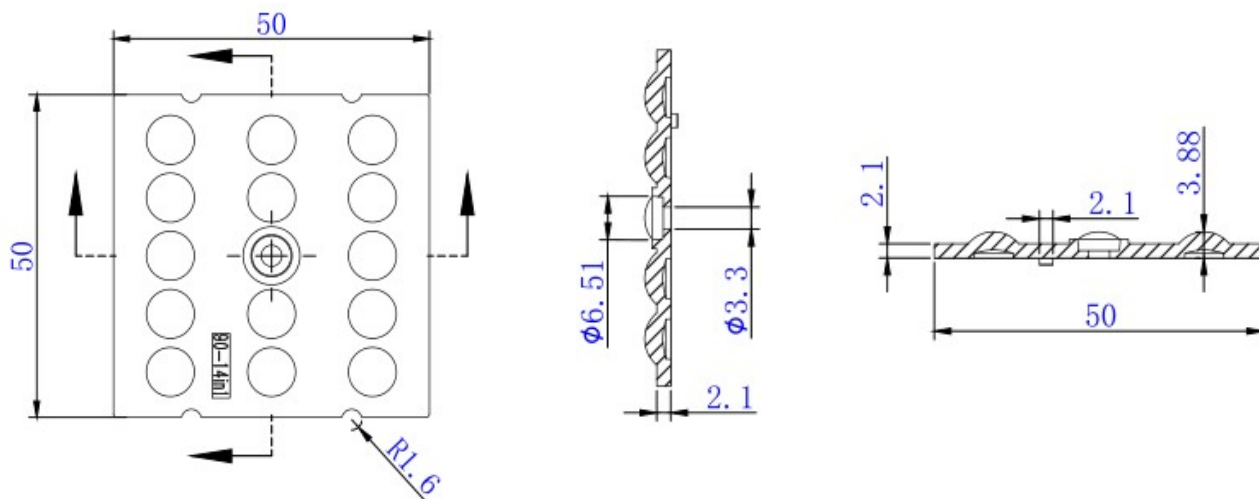
- ◆ ◆ Product Name: LED High Bay Lens
- ◆ ◆ Part Number: KB-HB14W-90-3030
- ◆ ◆ Dimension: L50*W50mm
- ◆ ◆ Beam Angle: 90°
- ◆ ◆ Compatible Led: SMD3030
- ◆ ◆ Material: PC
- ◆ ◆ Tolerance: $\pm 0.1\text{mm}$
- ◆ ◆ Working Temperature: PC - 40 to 110 °C
- ◆ ◆ Transmittance: 93%



● Optical Characteristics



● Mechanical Characteristics:



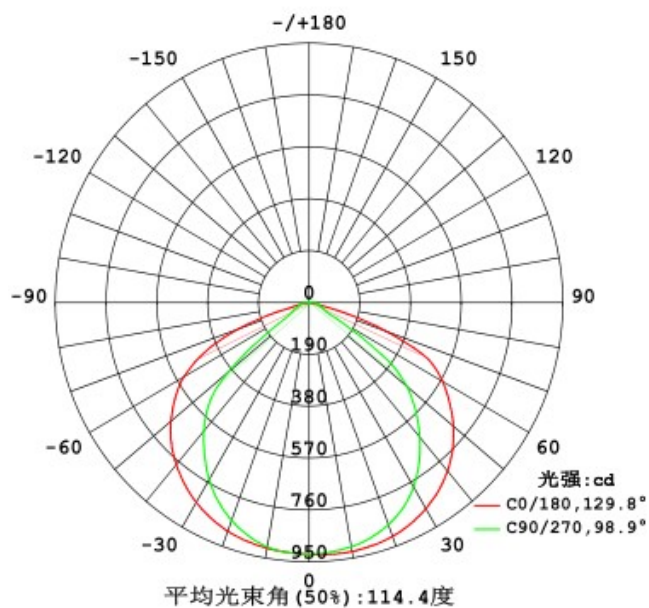
Specification

● Product Parameters:

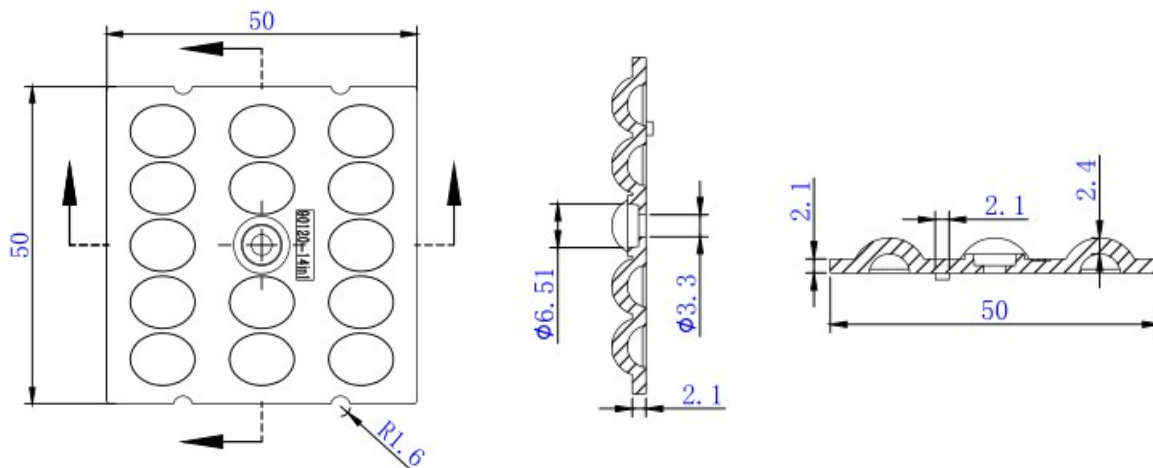
- ◆ ◆ Product Name: LED StreetLight Lens
- ◆ ◆ Part Number: KB-SL14W-90*120-3030
- ◆ ◆ Dimension: L50*W50mm
- ◆ ◆ Beam Angle: 90*120°
- ◆ ◆ Compatible Led: SMD3030
- ◆ ◆ Material: PC
- ◆ ◆ Tolerance: ± 0.1 mm
- ◆ ◆ Working Temperature: PC - 40 to 110 °C
- ◆ ◆ Transmittance: 93%



● Optical Characteristics



● Mechanical Characteristics:



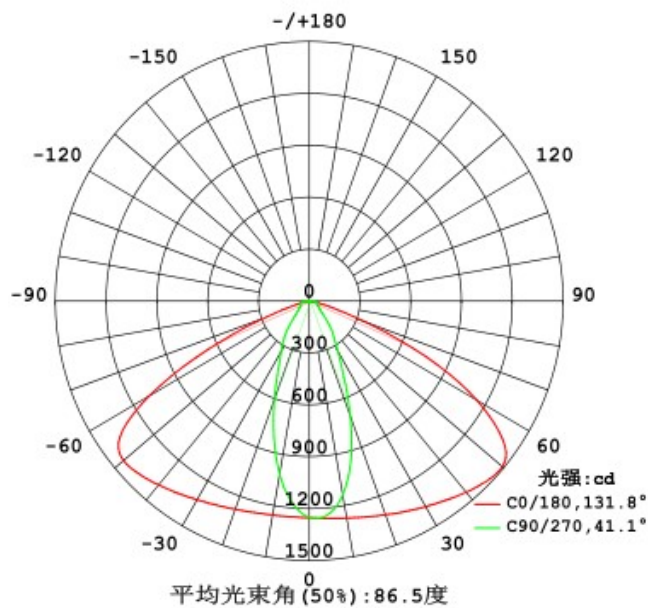
Specification

● Product Paramters:

- ◆ ◆ Product Name: LED StreetLight Lens
- ◆ ◆ Part Number: KB-SL14W-40*130-3030
- ◆ ◆ Dimension: L50*W50mm
- ◆ ◆ Beam Angle: 40*130°
- ◆ ◆ Compatible Led: SMD3030
- ◆ ◆ Material: PC
- ◆ ◆ Tolerance: ± 0.1 mm
- ◆ ◆ Working Temperature: PC - 40 to 110 °C
- ◆ ◆ Transmittance: 93%



● Optical Characteristics



● Mechanical Characteristics:

