

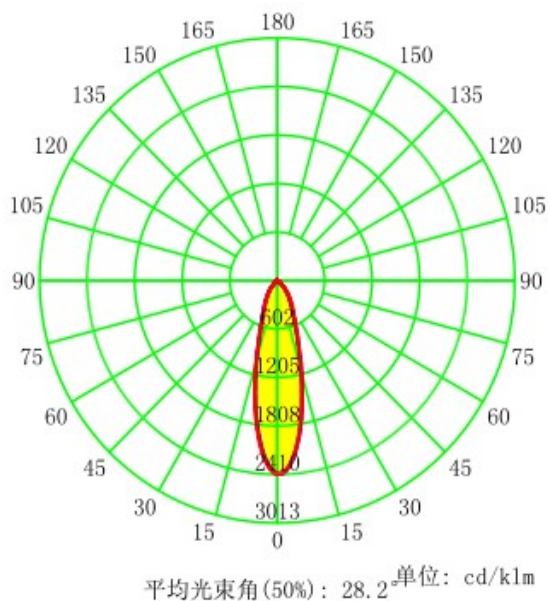
Specification

● Product Parameters:

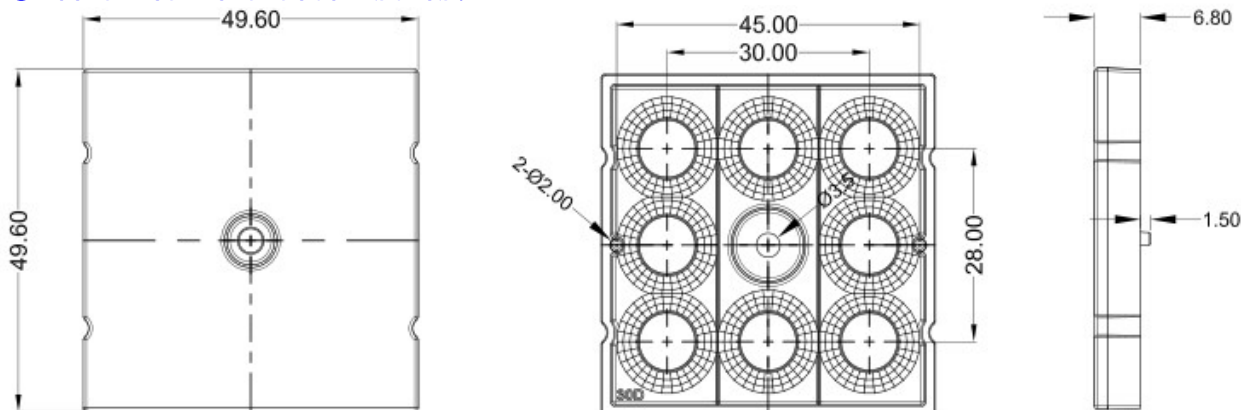
- ◆ ◆ Product Name: LED High Bay Lens
- ◆ ◆ Part Number: KB-HB8W-30-5050
- ◆ ◆ Dimension: L50*W50mm
- ◆ ◆ Beam Angle: 30°
- ◆ ◆ Compatible Led: SMD5050
SMD3030*4
- ◆ ◆ Material: PC
- ◆ ◆ Tolerance: ±0.1mm
- ◆ ◆ Working Temperature: 40 to 120 °C
- ◆ ◆ Transmittance: 92%



● Optical Characteristics



● Mechanical Characteristics:



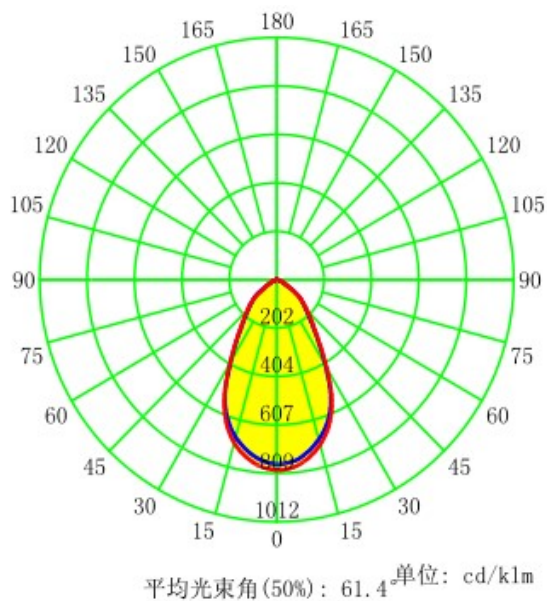
Specification

● Product Parameters:

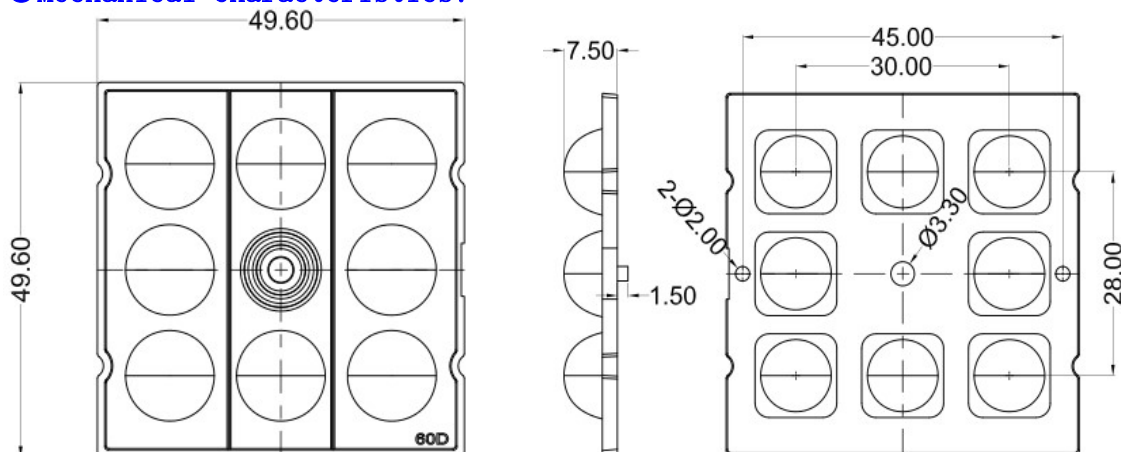
- ◆ ◆ Product Name: LED High Bay Lens
- ◆ ◆ Part Number: KB-HB8W-60-5050
- ◆ ◆ Dimension: L50*W50mm
- ◆ ◆ Beam Angle: 60°
- ◆ ◆ Compatible Led: SMD5050
SMD3030*4
- ◆ ◆ Material: PC
- ◆ ◆ Tolerance: ± 0.1 mm
- ◆ ◆ Working Temperature: 40 to 120 °C
- ◆ ◆ Transmittance: 92%



● Optical Characteristics



● Mechanical Characteristics:



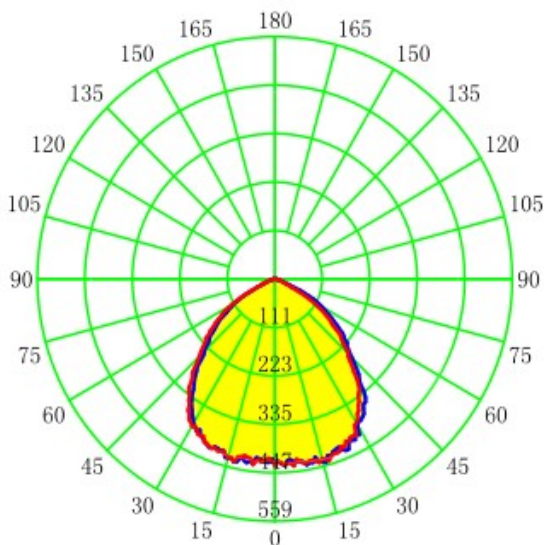
Specification

● Product Parameters:

- ◆ ◆ Product Name: LED High Bay Lens
- ◆ ◆ Part Number: KB-HB8W-90-5050
- ◆ ◆ Dimension: L50*W50mm
- ◆ ◆ Beam Angle: 90°
- ◆ ◆ Compatible Led: SMD5050
SMD3030*4
- ◆ ◆ Material: PC
- ◆ ◆ Tolerance: ±0.1mm
- ◆ ◆ Working Temperature: 40 to 120 °C
- ◆ ◆ Transmittance: 92%

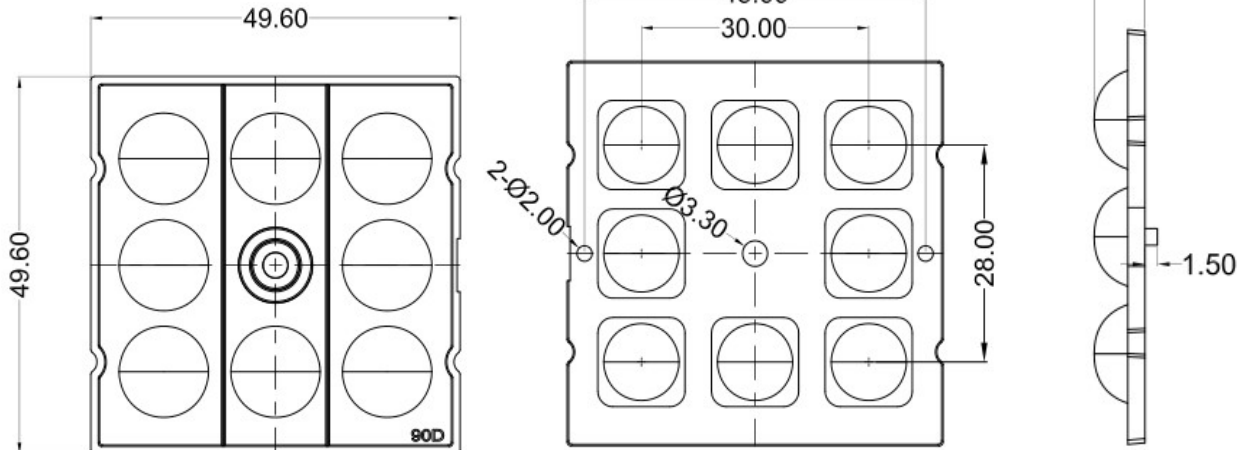


● Optical Characteristics



平均光束角(50%): 96.2 单位: cd/klm

● Mechanical Characteristics:



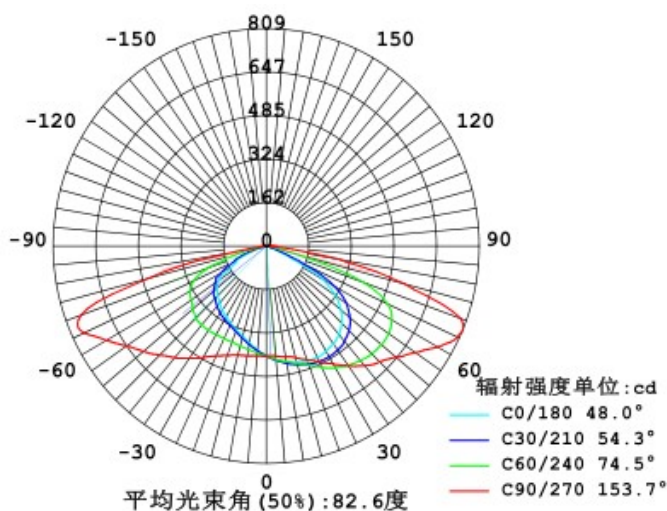
Specification

● Product Parameters:

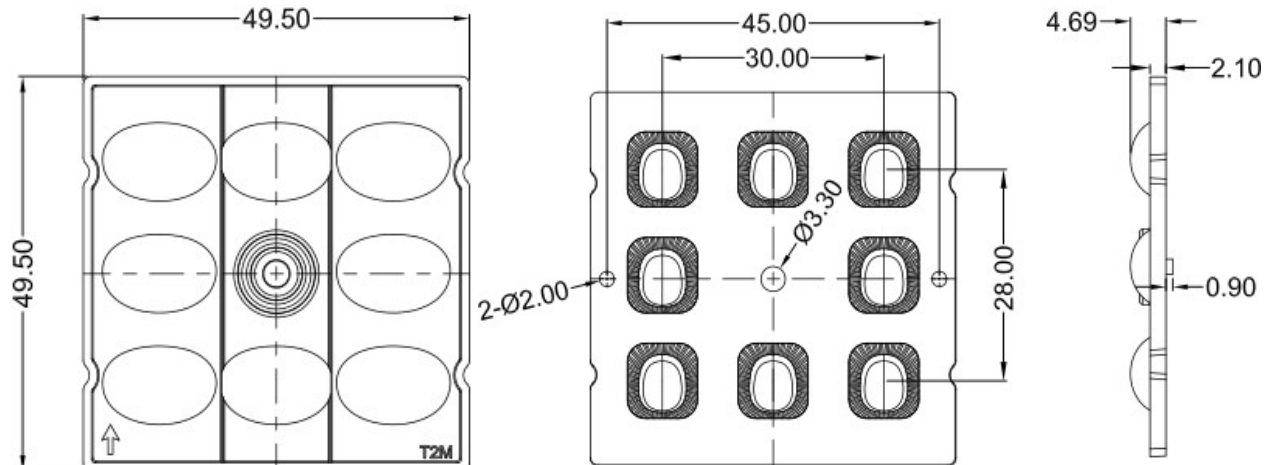
- ◆ ◆ Product Name: LED StreetLight Lens
- ◆ ◆ Part Number: KB-SL8W-TP2M-5050
- ◆ ◆ Dimension: L50*W50mm
- ◆ ◆ Beam Angle: TYPE2-M
- ◆ ◆ Compatible Led: SMD5050
SMD3030*4
- ◆ ◆ Material: PC
- ◆ ◆ Tolerance: ± 0.1 mm
- ◆ ◆ Working Temperature: 40 to 120 °C
- ◆ ◆ Transmittance: 92%



● Optical Characteristics



● Mechanical Characteristics:



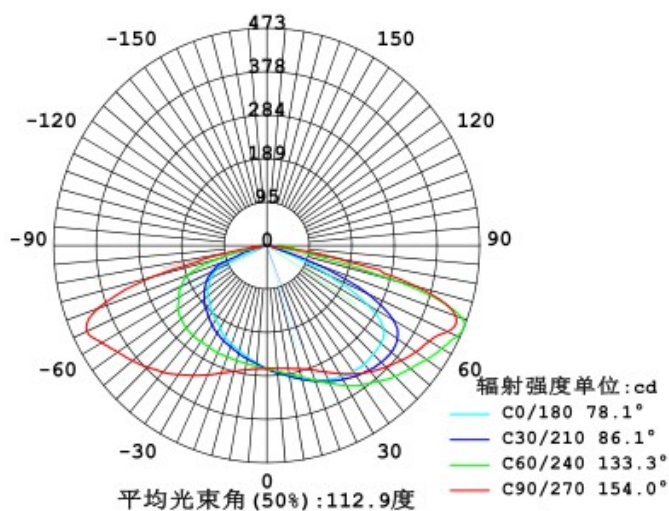
Specification

● Product Parameters:

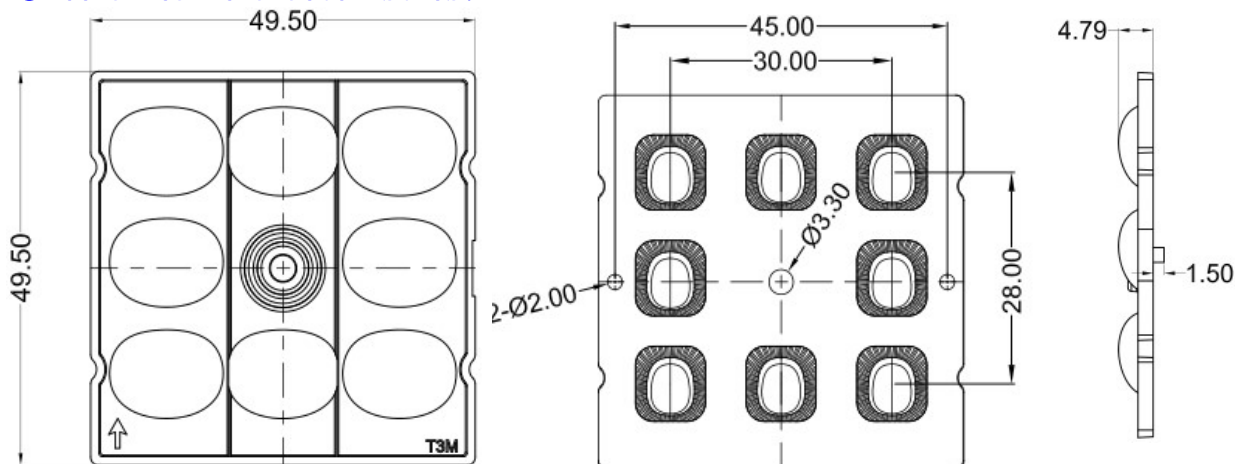
- ◆ ◆ Product Name: LED StreetLight Lens
- ◆ ◆ Part Number: KB-SL8W-TP3M-5050
- ◆ ◆ Dimension: L50*W50mm
- ◆ ◆ Beam Angle: TYPE3-M
- ◆ ◆ Compatible Led: SMD5050
SMD3030*4
- ◆ ◆ Material: PC
- ◆ ◆ Tolerance: ± 0.1 mm
- ◆ ◆ Working Temperature: 40 to 120 °C
- ◆ ◆ Transmittance: 92%



● Optical Characteristics



● Mechanical Characteristics:



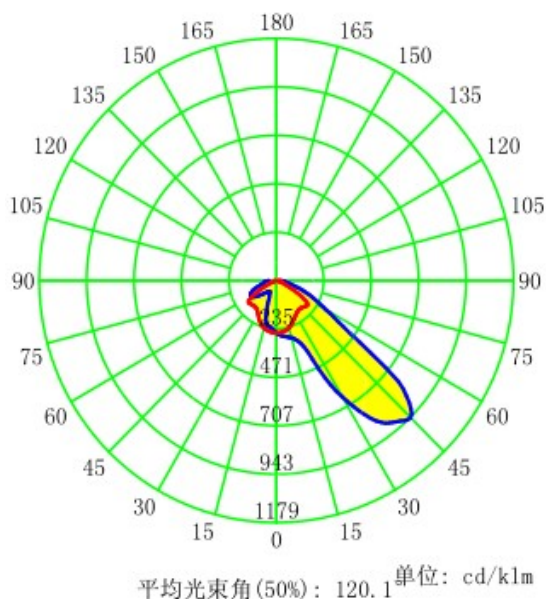
Specification

● Product Parameters:

- ◆ ◆ Product Name: LED StreetLight Lens
- ◆ ◆ Part Number: KB-SL8W-PX-5050
- ◆ ◆ Dimension: L50*W50mm
- ◆ ◆ Beam Angle: Type2-S Polarized
- ◆ ◆ Compatible Led: SMD5050
SMD3030*4
- ◆ ◆ Material: PC
- ◆ ◆ Tolerance: ± 0.1 mm
- ◆ ◆ Working Temperature: 40 to 120 °C
- ◆ ◆ Transmittance: 92%



● Optical Characteristics



● Mechanical Characteristics:

