



Product Parameters (产品描述)

产品编号 | Part Number: KB-29-xx-R-Tape
 出光角度 | Beam Angle: 5|10|17|20|30|50|10*30|10*45°
 产品材料 | Material: Lens PMMA/Holder PC
 工作温度 | Work Temp: <85°C

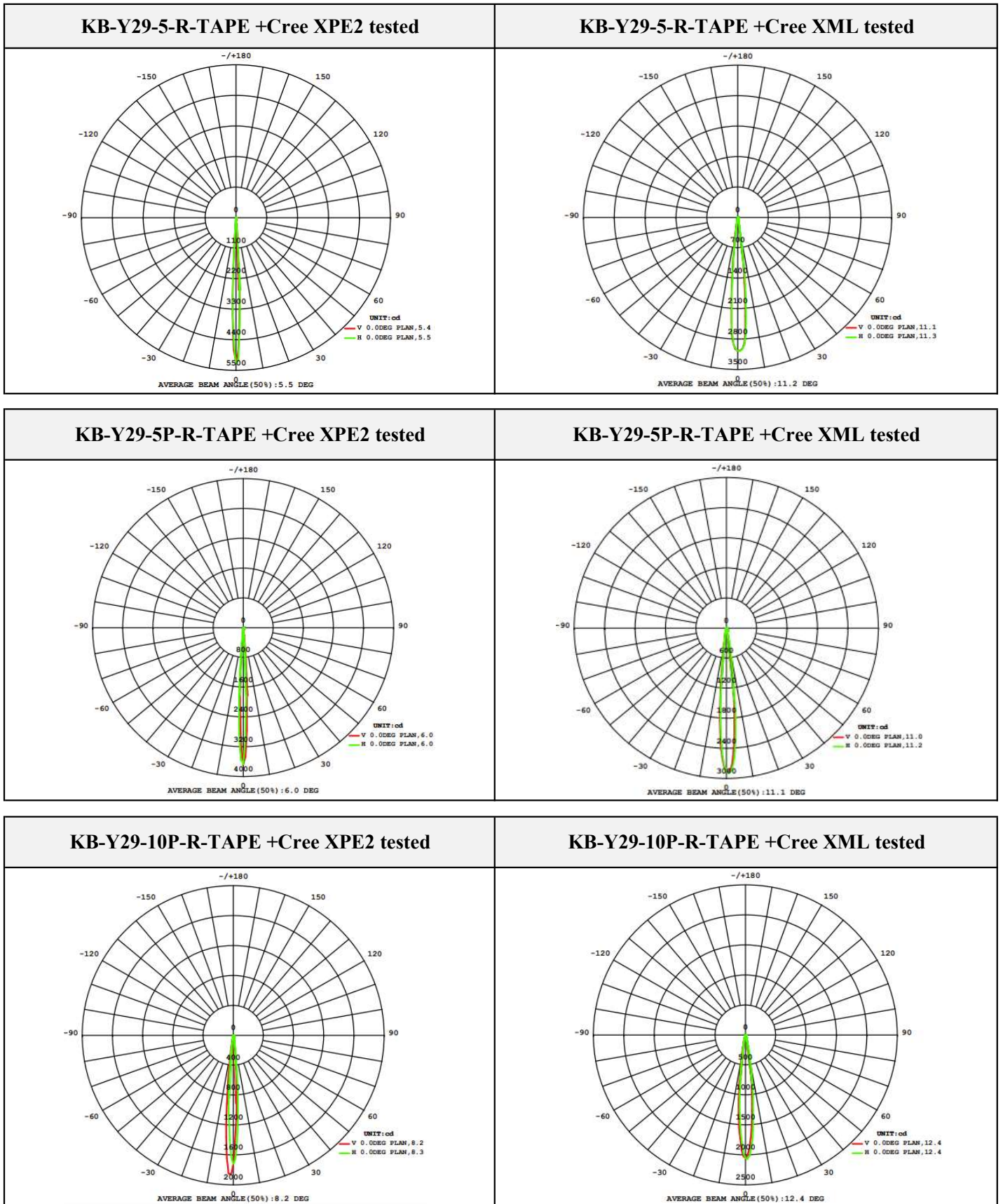
安装方式 | Fastening: Tape+Position Pins
 支架颜色 | Holder Color: White|Black
 透光率 | Transmittance: 93%
 匹配LED | Match Led: 3535|5050|7070 Leds

Part Number	Lens Surface	Dimension	Beam Angle
KB-Y29-5-R-HW/HB-TAPE	镜面/polish	Φ32.5*H16.2mm	~5°
KB-Y29-5P-R-HW/HB-TAPE	珠面/Beads	Φ32.5*H16.2mm	~5°
KB-Y29-10P-R-HW/HB-TAPE	珠面/Beads	Φ32.5*H16.2mm	~10°
KB-H29-17P-R-HW/HB-TAPE	珠面/Beads	Φ32.5*H16.2mm	~17°
KB-H29-20P-R-HW/HB-TAPE	珠面/Beads	Φ32.5*H16.2mm	~20°
KB-H29-30P-R-HW/HB-TAPE	珠面/Beads	Φ32.5*H16.2mm	~30°
KB-H29-50P-R-HW/HB-TAPE	珠面/Beads	Φ32.5*H16.2mm	~50°
KB-Y29-1030-R-HW/HB-TAPE	条纹面/strip	Φ32.5*H16.2mm	~10*30°
KB-Y29-1045-R-HW/HB-TAPE	条纹面/strip	Φ32.5*H16.2mm	~10*45°

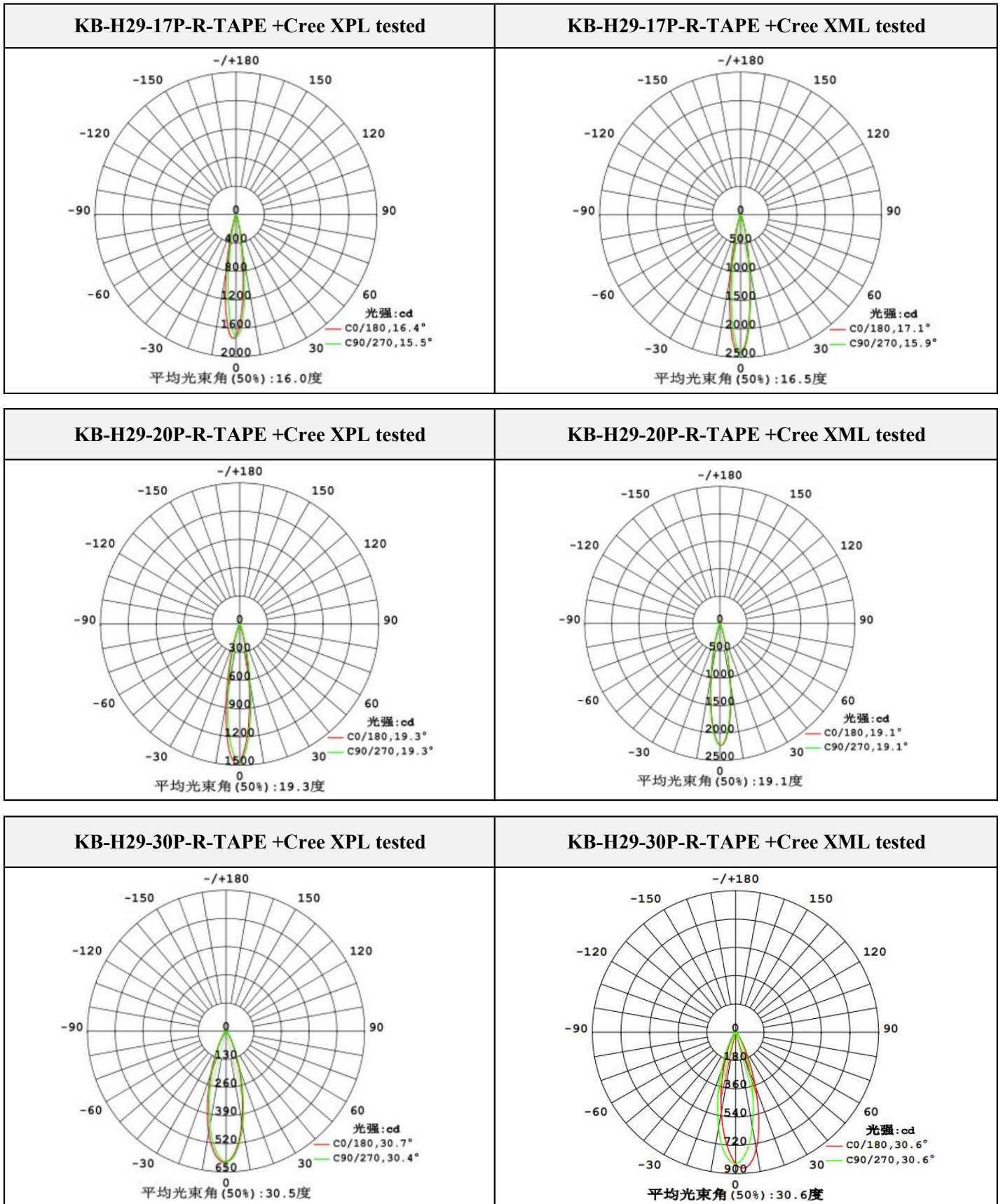
Direction for Use (使用须知)

- 1, Please use some soft paper or pure water to clean lens (reflector)
- 2, Don't use any industrial solvent to clean lens surface , such as alcohol
- 3, Storage environment : Temperature 0~40°C , Humidity 30%~95%
- 4, This kind of lens can make the lighting more concentrated, and it's made from transparent material , so please do not open the packages until you use them, in case of the dust and other pollutions.

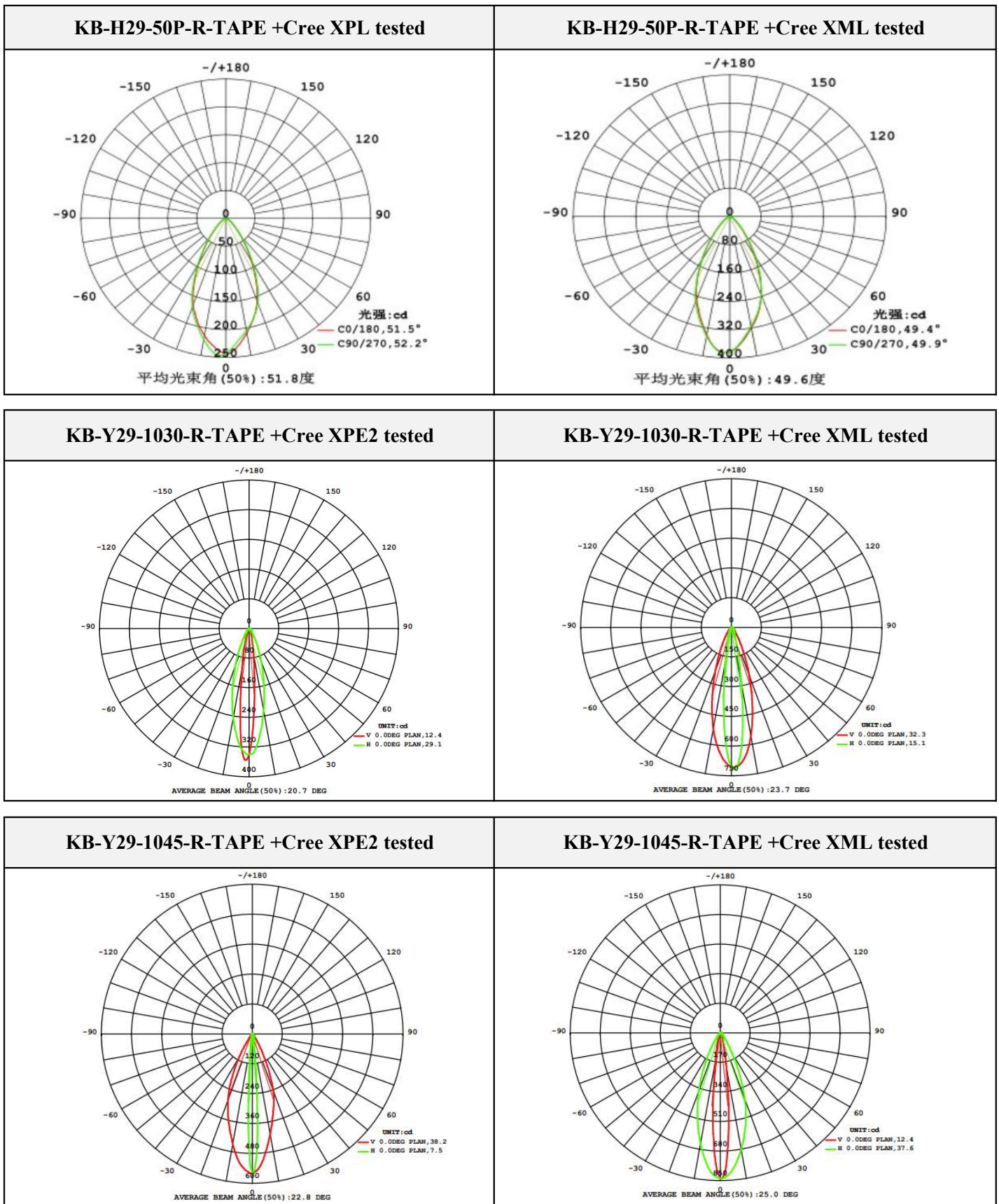
Light Distribution Curve (配光曲线图)



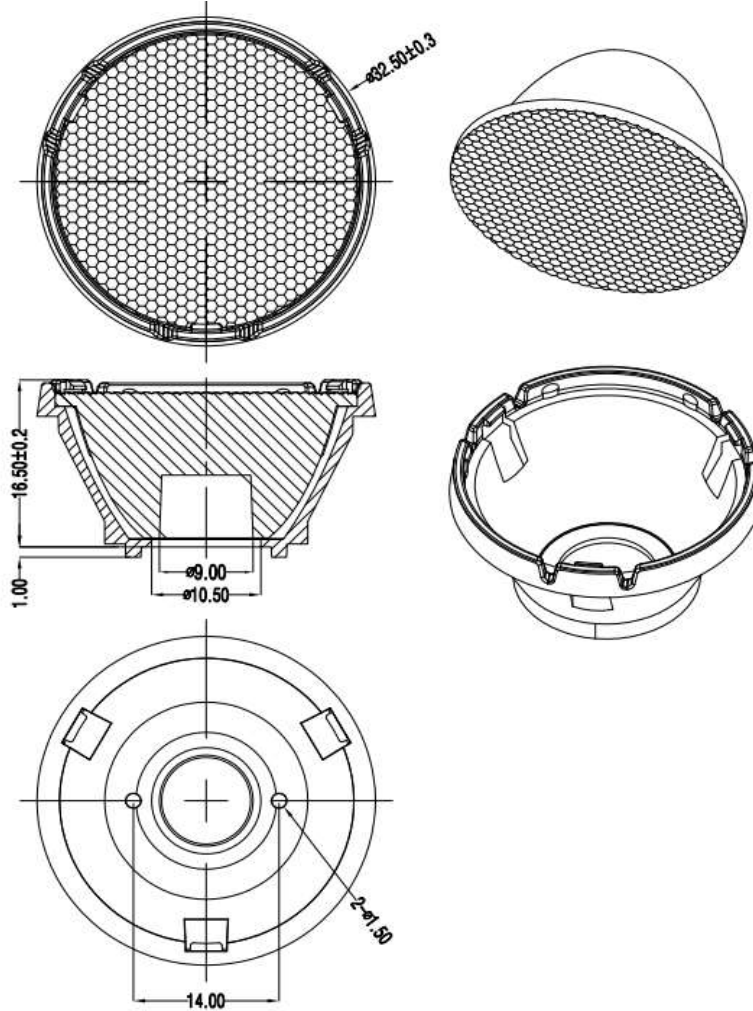
Light Distribution Curve (配光曲线图)



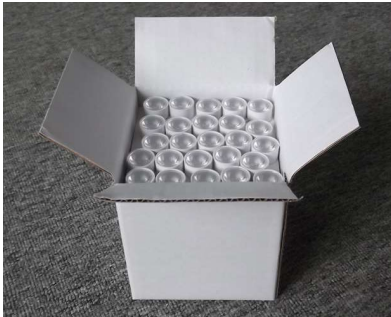

Light Distribution Curve (配光曲线图)



Mechanical Characteristics:



Product Package:

Inner Box	Outer Carton
	
<p>150pcs/box Gross weight: 1185g/box Box dimension: 25*19.6*6cm</p>	<p>12boxes/carton 1,800pcs/carton Gross weight: 15.0kg/CTN Carton Dimension: 64*28*32cm</p>