

Product Parameters (产品描述)

产品编号 | Part Number: KB-A7.6-xx-3030
出光角度 | Beam Angle: 45/60/90°
产品材料 | Material: PMMA
工作温度 | Work Temp: <85°C

安装方式 | Fastening: Glue
支架颜色 | Holder Color: N/A
透光率 | Transmittance: 93%
匹配LED | Match Led: SMD3030

Part Number	Lens Surface	Dimension	Beam Angle
KB-A7.6-45-3030	磨砂面/Matt	L7.5*W8.3*H6.47mm	~45°
KB-A7.6-60-3030	磨砂面/Matt	L7.5*W8.3*H5.32mm	~60°
KB-A7.6-90-3030	磨砂面/Matt	L7.5*W8.3*H3mm	~90°

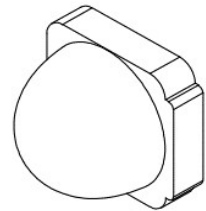
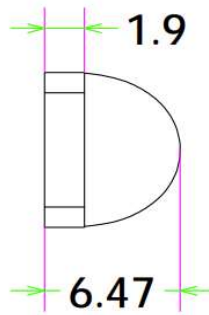
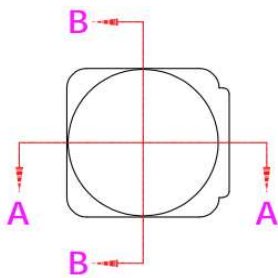
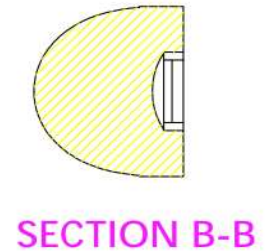
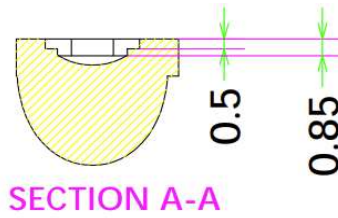
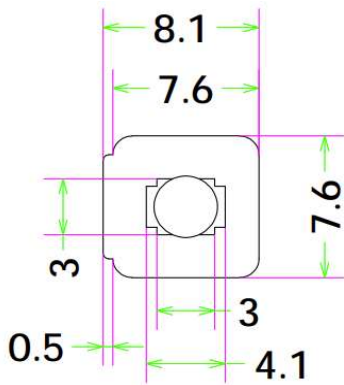
Direction for Use

(透镜 | LENS)



- 1, Please use some soft paper or pure water to clean lens (reflector)
- 2, Don't use any industrial solvent to clean lens surface , such as alcohol
- 3, Storage environment : Temperature 0~40°C , Humidity 30%~95%
- 4, This kind of lens can make the lighting more concentrated, and it's made from transparent material , so please do not open the packages until you use them, in case of the dust and other pollutions.

Mechanical Characteristics (产品尺寸):

KB-A7.6-45-3030

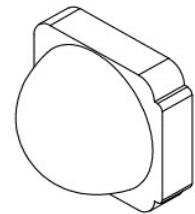
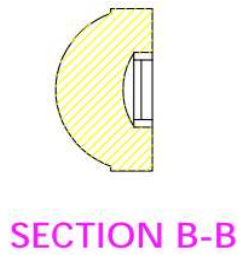
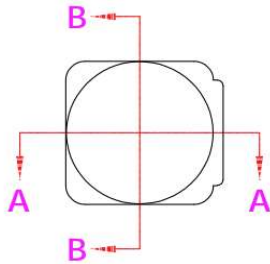
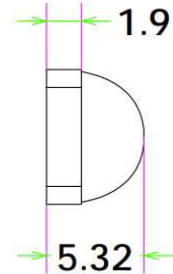
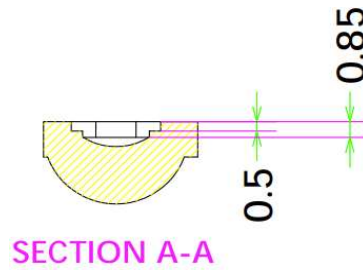
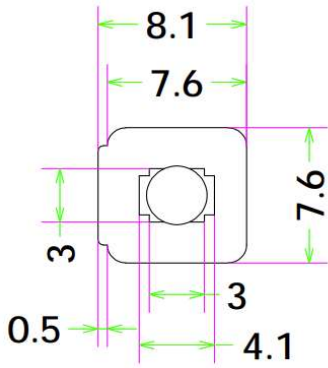


Product Package (产品包装):



Inner Box (内盒)	Outer Carton (外箱)
	
<p>5000pcs/box Gross weight: 1225g/box Box dimension: 18*14*9cm</p>	<p>6boxes/carton 30,000pcs/carton Gross weight: 7.7kg/CTN Carton Dimension: 40*28*17cm</p>

Mechanical Characteristics (产品尺寸):

KB-A7.6-90-3030

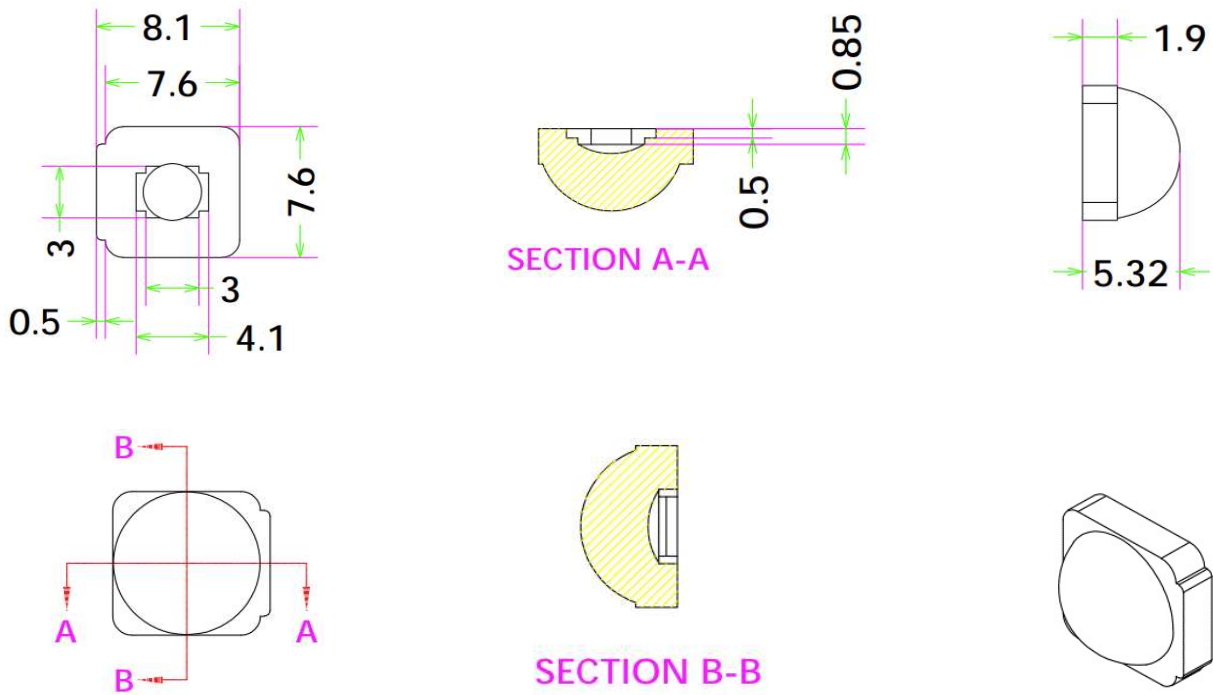


Product Package (产品包装):



Inner Box (内盒)	Outer Carton (外箱)
	
<p>5000pcs/box Gross weight: 1000g/box Box dimension: 18*14*9cm</p>	<p>6boxes/carton 30,000pcs/carton Gross weight: 6.6kg/CTN Carton Dimension: 40*28*17cm</p>

Mechanical Characteristics (产品尺寸):

KB-A7.6-90-3030



Product Package (产品包装):

Inner Box (内盒)	Outer Carton (外箱)
	
<p>6000pcs/box Gross weight: 1342g/box Box dimension: 18*14*9cm</p>	<p>6boxes/carton 36,000pcs/carton Gross weight: 8.6kg/CTN Carton Dimension: 40*28*17cm</p>