



Product Parameters (产品描述)

产品编号 Part No.: KB-H22-xxF-Tape	安装方式 Fastening: Tape/Glue/Clips
出光角度 Angle: 10/15/30/45/60/Oval	支架颜色 Holder Color: White/Black
产品材料 Material: PMMA	透光率 Transmittance: 93%
工作温度 Work Temp: <85°C	匹配LED Match Led: 3030/3535 Leds

Part Number	Lens Surface	Dimension	Beam Angle
KB-H22-10MF-Tape	沙面/matt	Φ22*H11.8mm	~10°
KB-H22-15PF-Tape	珠面/beads	Φ22*H11.8mm	~15°
KB-H22-30PF-Tape	珠面/beads	Φ22*H11.8mm	~30°
KB-H22-45PF-Tape	珠面/beads	Φ22*H11.8mm	~45°
KB-H22-60PF-Tape	珠面/beads	Φ22*H11.8mm	~60°
KB-H22-1530F-Tape	条纹面/strip	Φ22*H11.8mm	~15*30°
KB-H22-1545F-Tape	条纹面/strip	Φ22*H11.8mm	~15*45°
KB-H22-1560F-Tape	条纹面/strip	Φ22*H11.8mm	~15*60°

Direction for Use

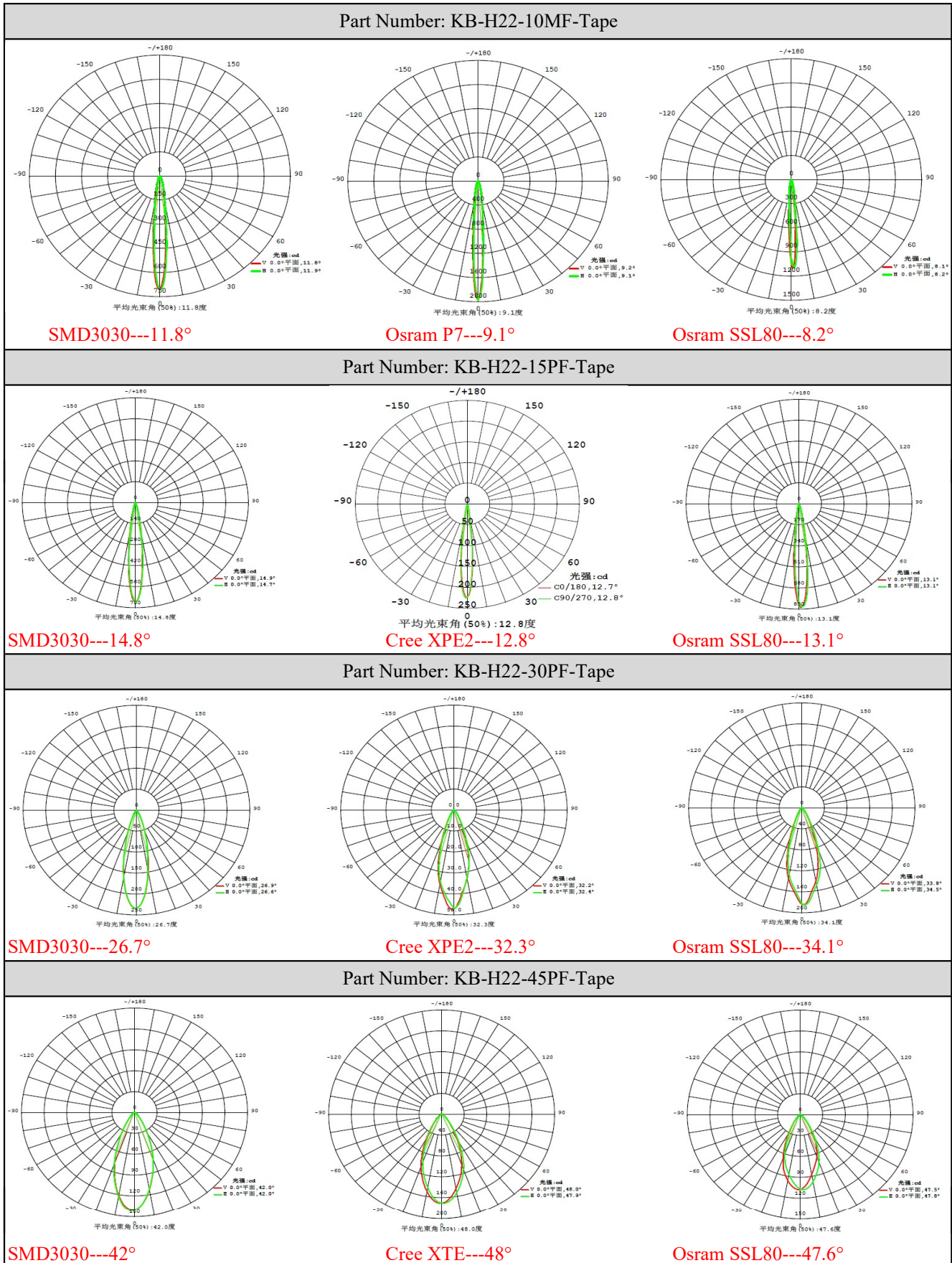
(透镜 | LENS)

- 1, Please use some soft paper or pure water to clean lens (reflector)
- 2, Don't use any industrial solvent to clean lens surface , such as alcohol
- 3, Storage environment : Temperature 0~40°C , Humidity 30%~95%
- 4, This kind of lens can make the lighting more concentrated, and it's made from transparent material , so please do not open the packages until you use them, in case of the dust and other pollutions.

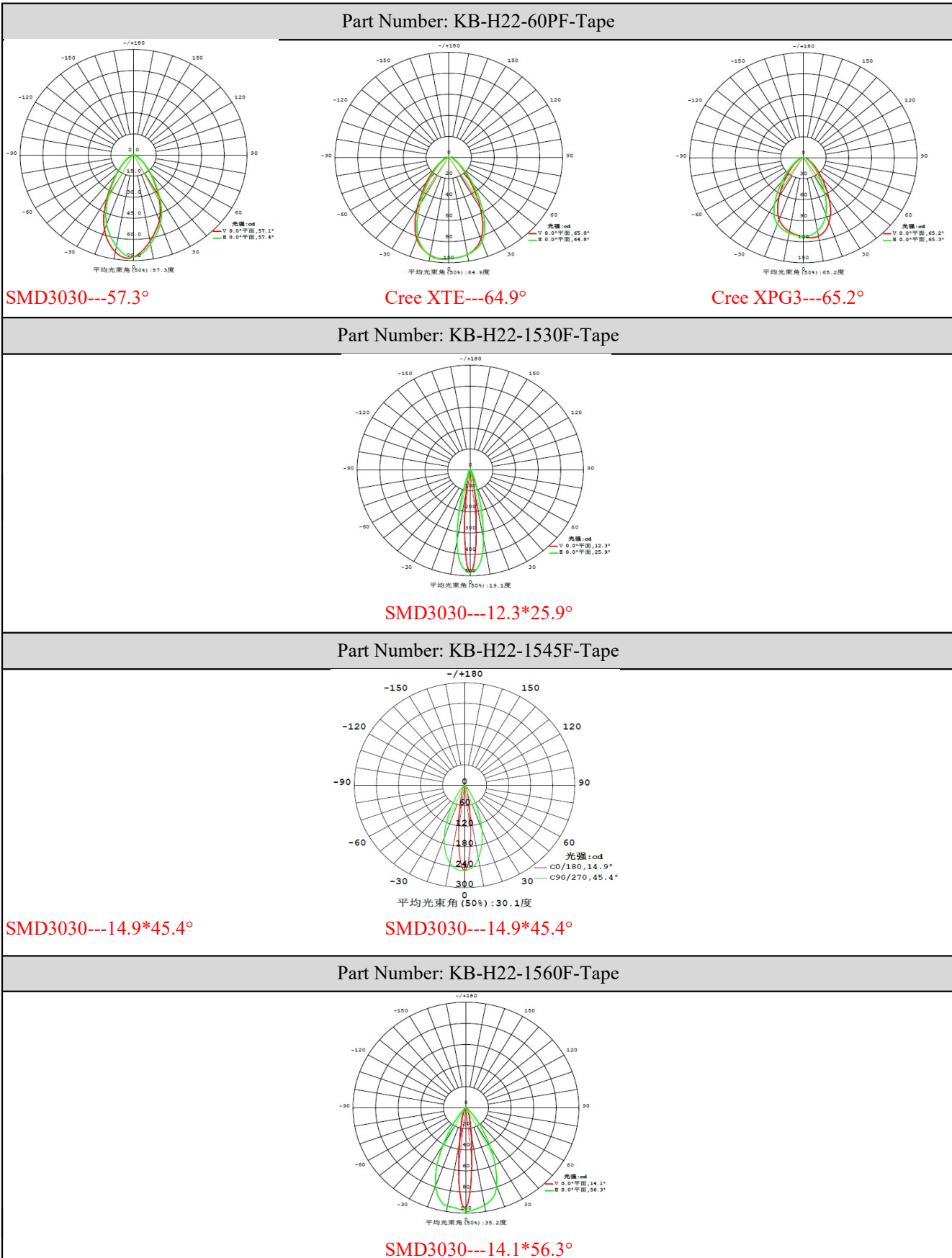
(双面胶 | TAPE)

- 1, Ensure the assembled pcb is straight, so the tape can be fully stucked to the surface.
- 2, Ensure the assembled pcb is clean and dry, any dirt or unknown chemicals may affect the tape viscous force.
- 3, Suggested assembly environment temperature is >15°C.
- 4, Stress lens 1~5 seconds after assembly to ensure 100% bond.
- 5, Check lens one by one after assembly to ensure all lens are stucked properly, if lens was not stucked to led perfectly, lens will be a bit suspended, picked it off to stick again or replace with a new tape.

Light Distribution Curve (配光曲线图):

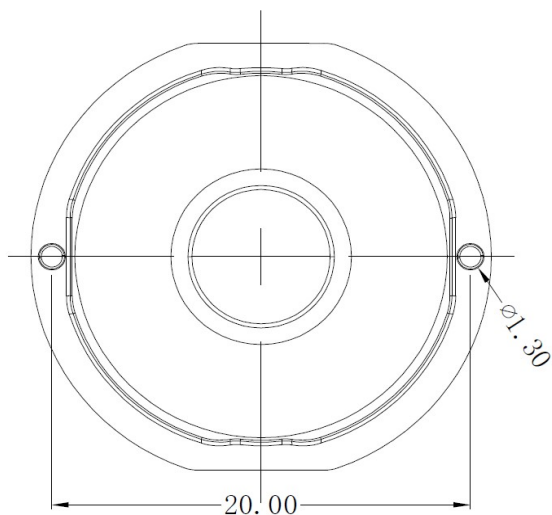
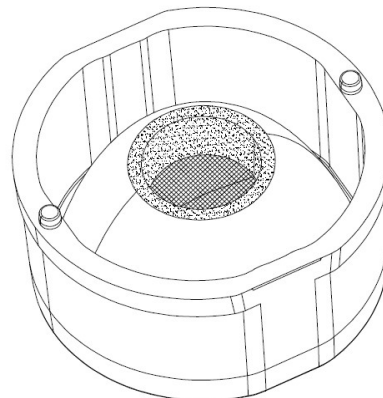
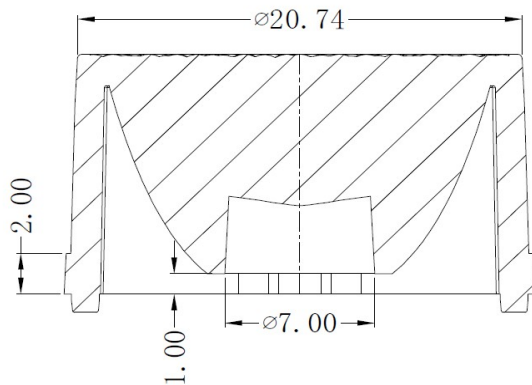
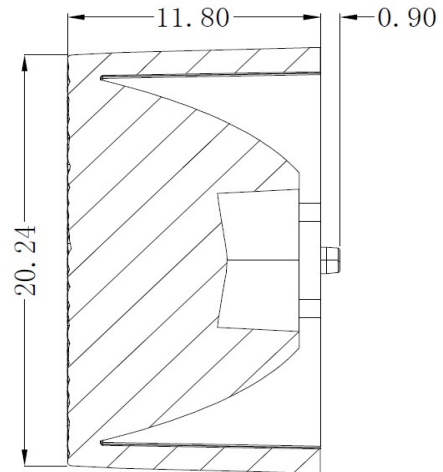
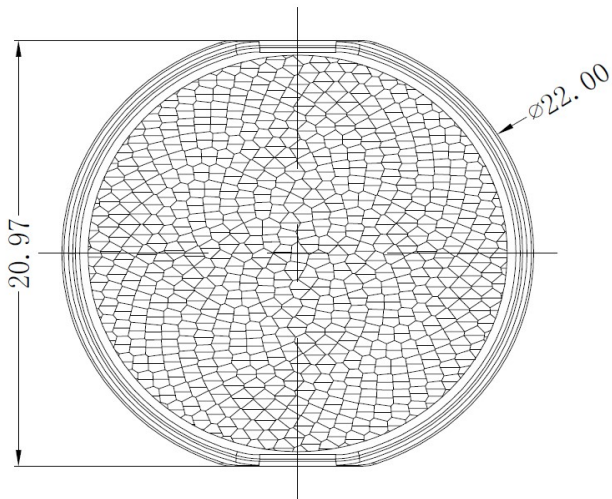


Light Distribution Curve (配光曲线图):



Mechanical Characteristics (产品尺寸):

KB-H22-xxF Assembly by pins+glue



Mechanical Characteristics (产品尺寸):

KB-H22-xxF-Tape Assembly by pins+tape

