

Product Image (产品图片) :



Product Parameters (产品描述)

* 品名/Product Name:	Led Lens
* 产品型号/Product Number :	KB-H22-7F-XP KB-H22-7F-OSN KB-H22-7F-XBD
* 尺寸/Product Size :	Φ22*H12.39mm Holder-PC
* 角度/Beam Angle :	~7° FWHM
* 材质/Material :	Lens-PMMA
* 面型/Surface:	Transparent
* 公差/Tolerance:	±0.2mm
* 工作温度/Work Temperature :	-40 to 90℃
* 光效/Lens Light Efficiency :	>90%
* 组装/Assembly way :	Tape Glue
* 匹配光源/Match Led :	Cree XBD/XPE/XPG/XTE/XHP35 Nichia 219 LG 3535 Samsung LM315B Seoul Z5M Osram Oslon



Direction for Use (使用须知)

- 1, Please use some soft paper or pure water to clean lens (reflector)
- 2, Don't use any industrial solvent to clean lens surface , such as alcohol
- 3, Storage environment : Temperature 0~40℃ , Humidity 30%~95%
- 4, This kind of lens can make the lighting more concentrated, and it's made from transparent material , so please do not open the packages until you use them, in case of the dust and other pollutions.

Product Package (产品包装)



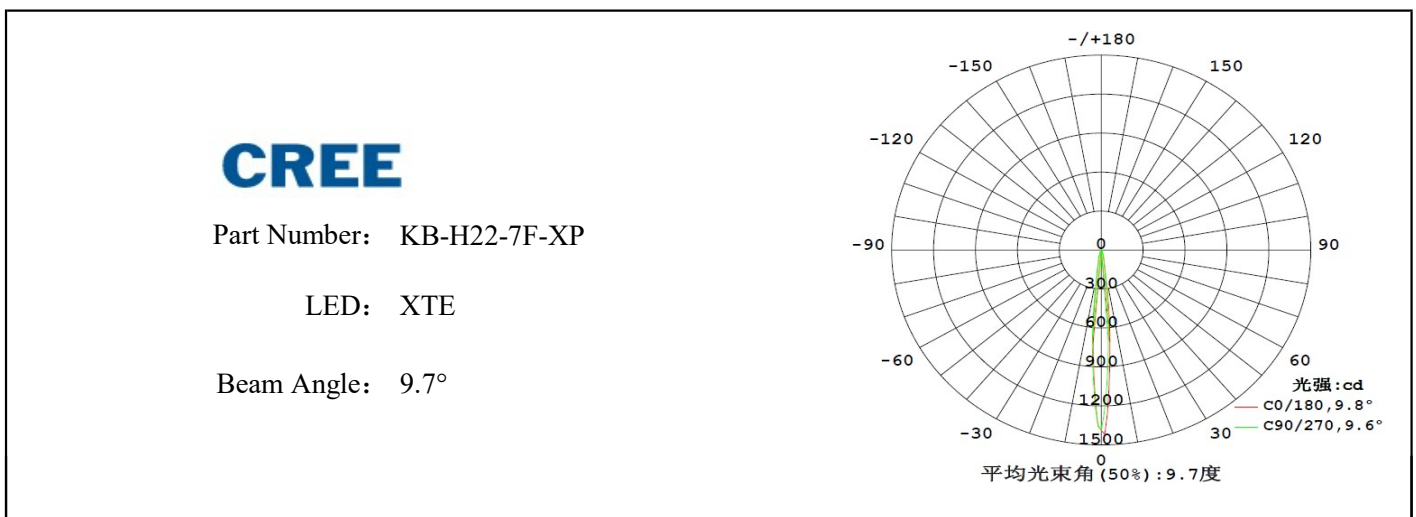
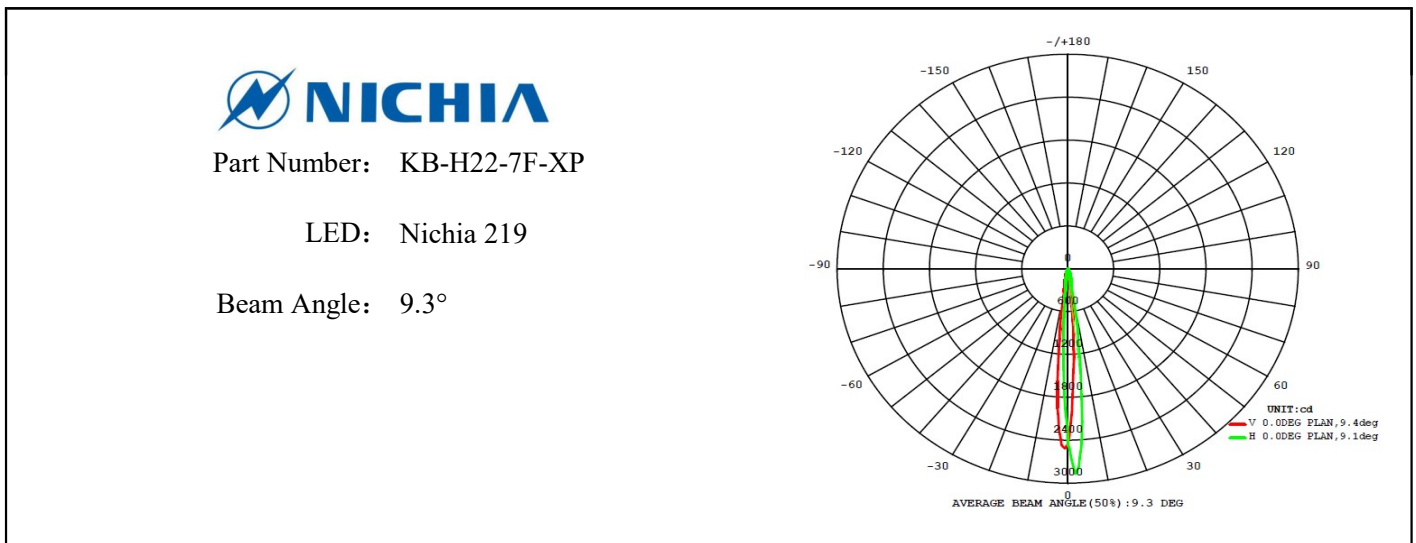
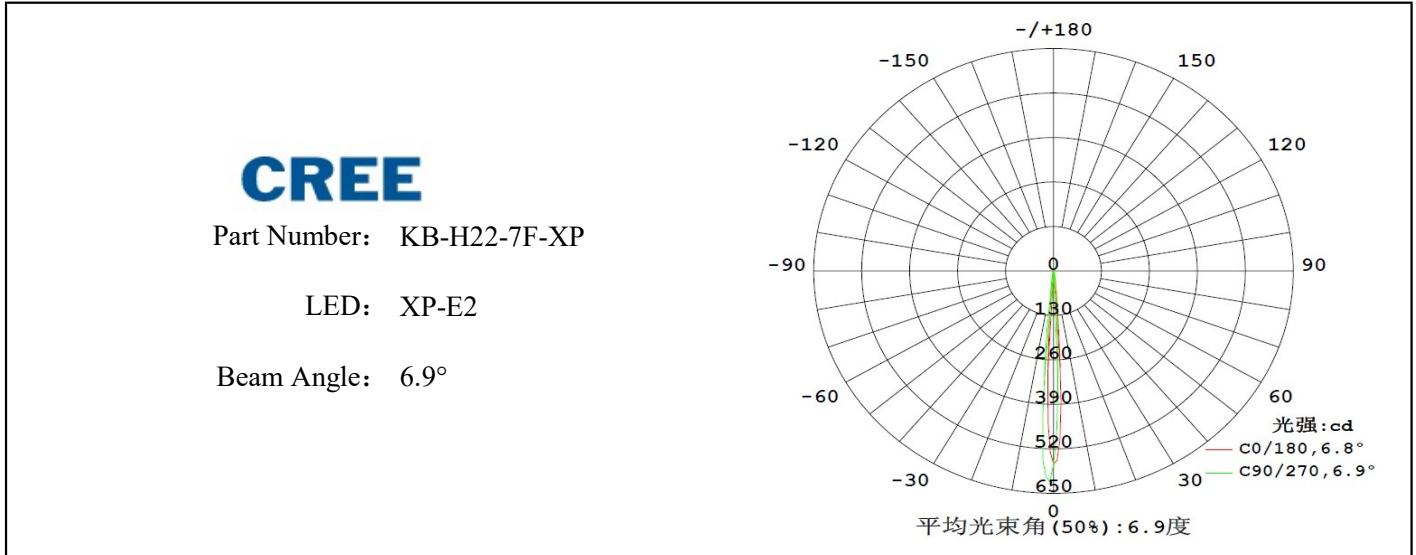
Lens with holder

225sets/box
20boxes/carton
G.W/Ctn: 17.6KG
Ctn Size: 62.5*29*26cm

Lens with holder and Tape

225sets/box
20boxes/carton
G.W/Ctn: 18.7KG
Ctn Size: 62.5*29*26cm

Light Distribution Curve (配光曲线图)



Product Parameters (产品描述)

* 品名/Product Name:	Led Lens
* 产品型号/Product Number :	KB-H22-15F-XP KB-H22-15F-OSN KB-H22-15F-XBD
* 尺寸/Product Size :	Φ22*H11.55mm
* 角度/Beam Angle :	~15° FWHM
* 材质/Material :	Lens-PMMA Holder-PC
* 面型/Surface:	Transparent
* 公差/Tolerance:	±0.2mm
* 工作温度/Work Temperature :	-40 to 90°C
* 光效/Lens Light Efficiency :	>90%
* 组装/Assembly way :	Tape Glue
* 匹配光源/Match Led :	Cree XBD/XPE/XPG/XTE/XHP35 LG 3535 Seoul Z5M



Nichia 219
Samsung LM315B
Osram Oslon

Direction for Use (使用须知)

- 1, Please use some soft paper or pure water to clean lens (reflector)
- 2, Don't use any industrial solvent to clean lens surface , such as alcohol
- 3, Storage environment : Temperature 0~40°C , Humidity 30%~95%
- 4, This kind of lens can make the lighting more concentrated, and it's made from transparent material , so please do not open the packages until you use them, in case of the dust and other pollutions.

Product Package (产品包装)



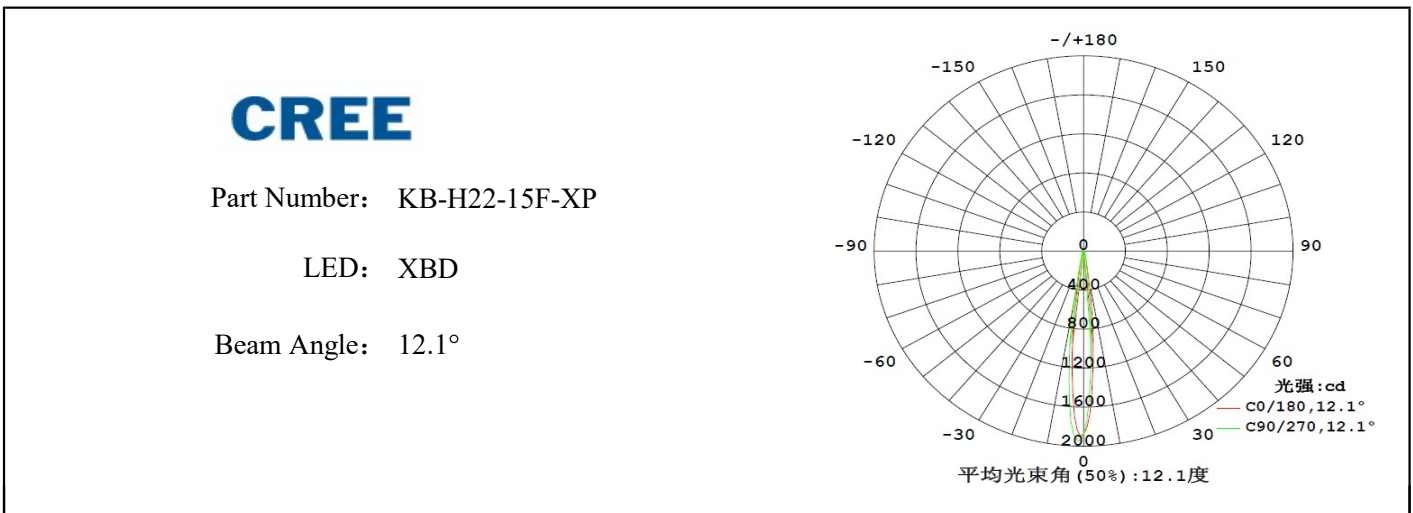
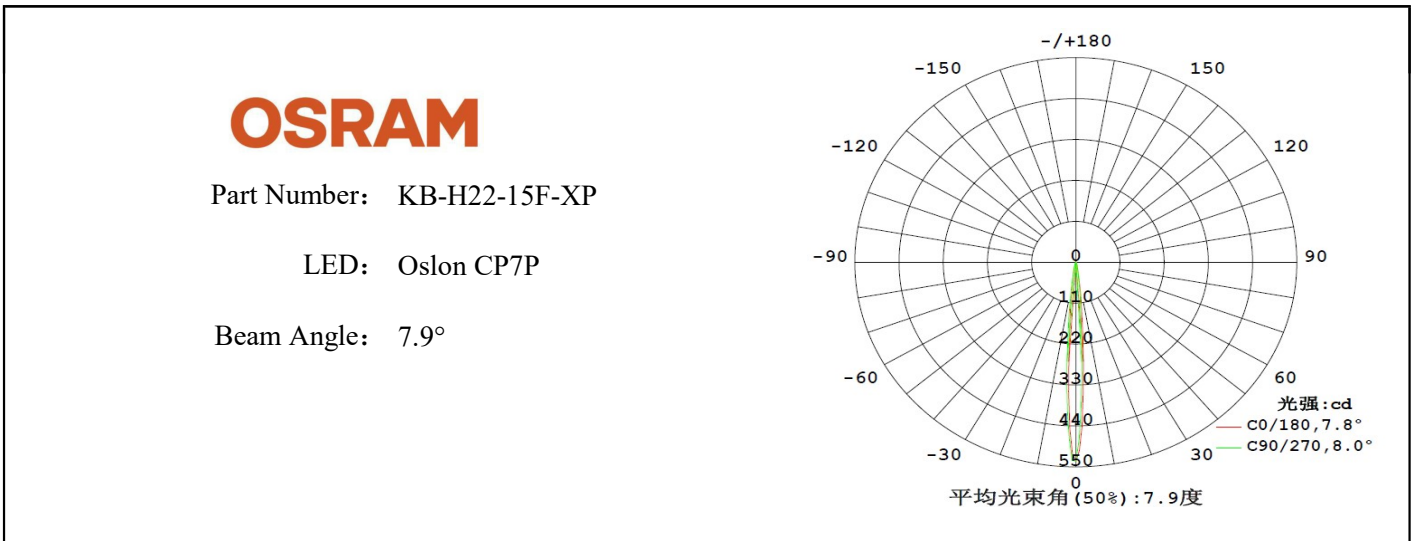
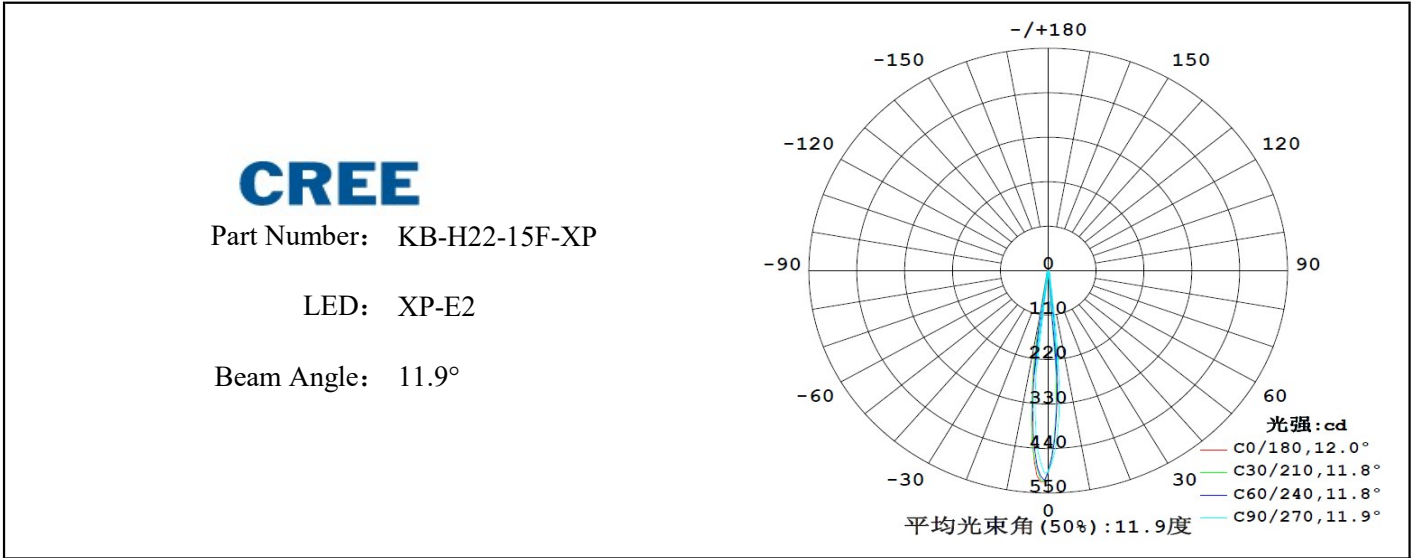
Lens with holder

225sets/box
20boxes/carton
G.W/Ctn: 17.6KG
Ctn Size: 62.5*29*26cm

Lens with holder and Tape

225sets/box
20boxes/carton
G.W/Ctn: 18.7KG
Ctn Size: 62.5*29*26cm

Light Distribution Curve (配光曲线图)



Product Parameters (产品描述)

* 品名/Product Name:	Led Lens
* 产品型号/Product Number :	KB-H22-15MF-XP KB-H22-15MF-OSN KB-H22-15MF-XBD
* 尺寸/Product Size :	Φ22*H11.55mm
* 角度/Beam Angle :	~15° FWHM
* 材质/Material :	Lens-PMMA Holder-PC
* 面型/Surface:	Matt
* 公差/Tolerance:	±0.2mm
* 工作温度/Work Temperature :	-40 to 90°C
* 光效/Lens Light Efficiency :	>90%
* 组装/Assembly way :	Tape Glue
* 匹配光源/Match Led :	Cree XBD/XPE/XPG/XTE/XHP35 LG 3535 Seoul Z5M Nichia 219
	Samsung LM315B Osram Oslon SMD3030



Direction for Use (使用须知)

- 1, Please use some soft paper or pure water to clean lens (reflector)
- 2, Don't use any industrial solvent to clean lens surface , such as alcohol
- 3, Storage environment : Temperature 0~40°C , Humidity 30%~95%
- 4, This kind of lens can make the lighting more concentrated, and it's made from transparent material , so please do not open the packages until you use them, in case of the dust and other pollutions.

Product Package (产品包装)



Lens with holder

225sets/box
20boxes/carton
G.W/Ctn: 17.6KG
Ctn Size: 62.5*29*26cm

Lens with holder and Tape

225sets/box
20boxes/carton
G.W/Ctn: 18.7KG
Ctn Size: 62.5*29*26cm

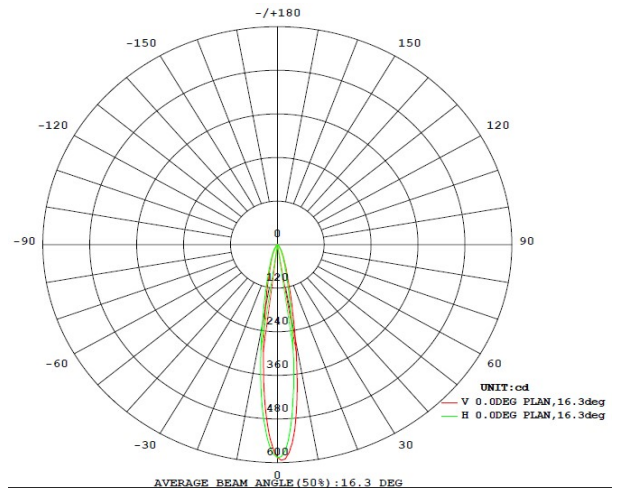
Light Distribution Curve (配光曲线图)

CREE

Part Number: KB-H22-15MF-XP

LED: XP-E2

Beam Angle: 16.3°

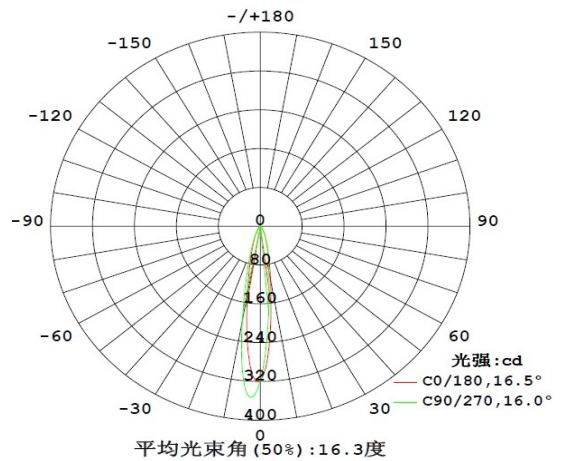


OSRAM

Part Number: KB-H22-15MF-XP

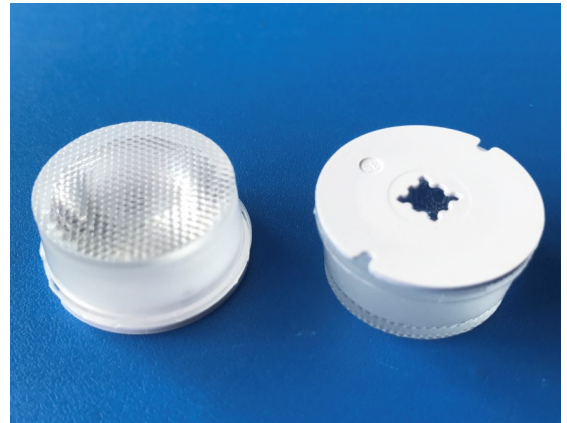
LED: Oslon CP7P

Beam Angle: 16.3°



Product Parameters (产品描述)

* 品名/Product Name:	Led Lens	
* 产品型号/Product Number :	KB-H22-30PF-XP KB-H22-30PF-OSN KB-H22-30PF-XBD	
* 尺寸/Product Size :	Φ22*H11.55mm	
* 角度/Beam Angle :	~30° FWHM	
* 材质/Material :	Lens-PMMA Holder-PC	
* 面型/Surface:	Beads	
* 公差/Tolerance:	±0.2mm	
* 工作温度/Work Temperature :	-40 to 90°C	
* 光效/Lens Light Efficiency :	>90%	
* 组装/Assembly way :	Tape Glue	
* 匹配光源/Match Led :	Cree XBD/XPE/XPG/XTE/XHP35 LG 3535 Seoul Z5M Nichia 219	
	Samsung LM315B	Osram Oslon SMD3030

**Direction for Use (使用须知)**

- 1, Please use some soft paper or pure water to clean lens (reflector)
- 2, Don't use any industrial solvent to clean lens surface , such as alcohol
- 3, Storage environment : Temperature 0~40°C , Humidity 30%~95%
- 4, This kind of lens can make the lighting more concentrated, and it's made from transparent material , so please do not open the packages until you use them, in case of the dust and other pollutions.

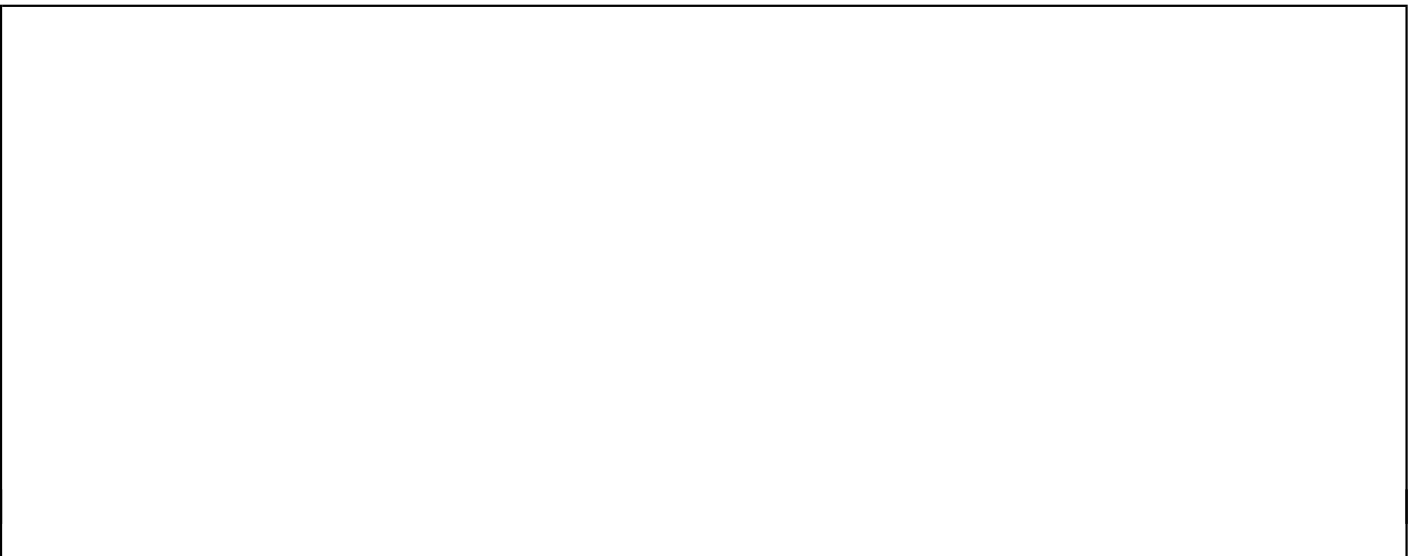
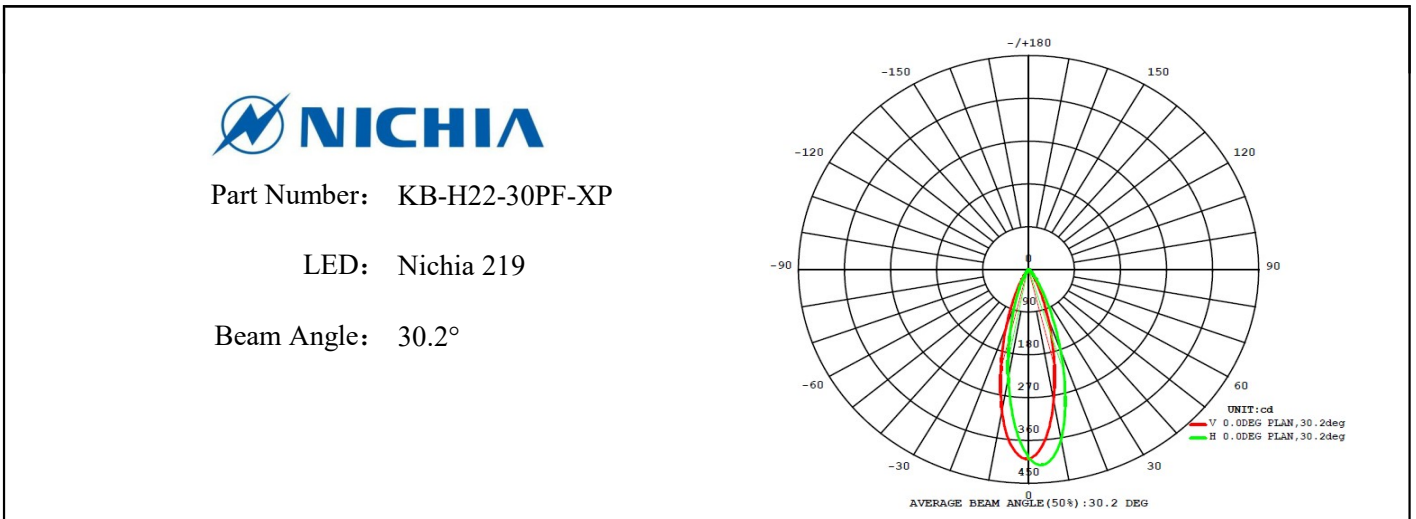
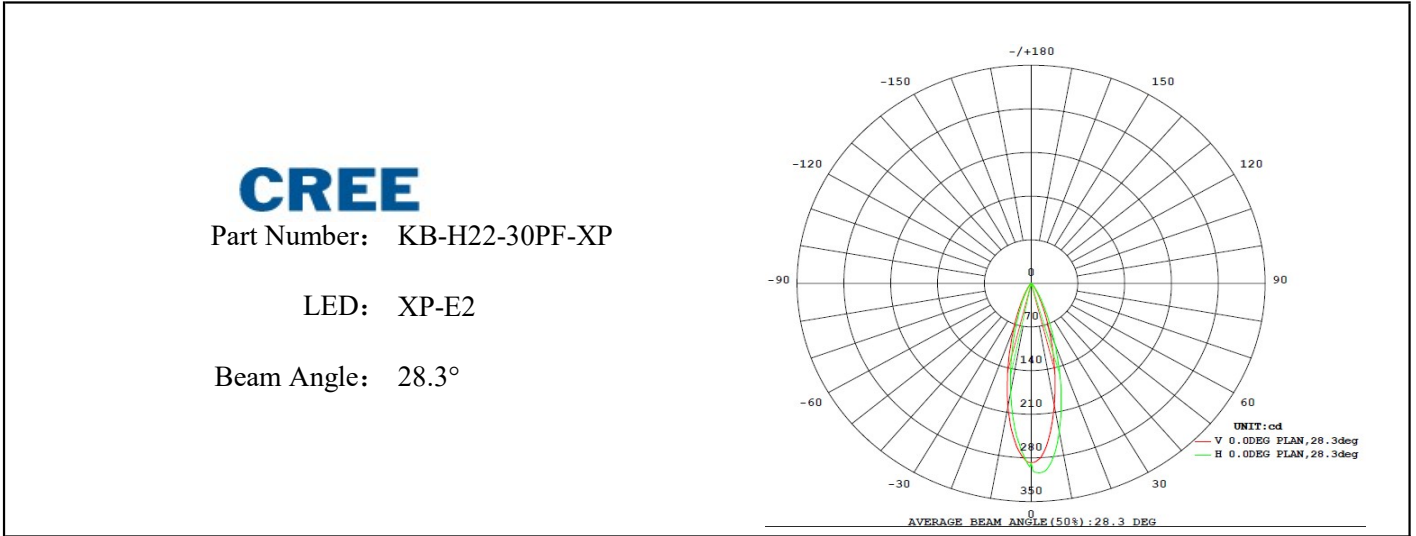
Product Package (产品包装)**Lens with holder**

225sets/box
20boxes/carton
G.W/Ctn: 17.6KG
Ctn Size: 62.5*29*26cm

Lens with holder and Tape

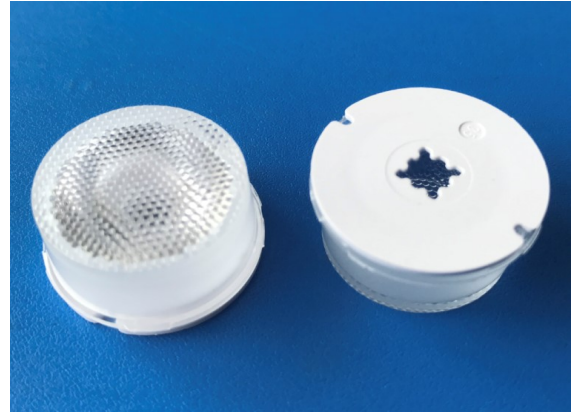
225sets/box
20boxes/carton
G.W/Ctn: 18.7KG
Ctn Size: 62.5*29*26cm

Light Distribution Curve (配光曲线图)



Product Parameters (产品描述)

* 品名/Product Name:	Led Lens
* 产品型号/Product Number :	KB-H22-45PF-XP KB-H22-45PF-OSN KB-H22-45PF-XBD
* 尺寸/Product Size :	Φ22*H11.55mm
* 角度/Beam Angle :	~45° FWHM
* 材质/Material :	Lens-PMMA Holder-PC
* 面型/Surface:	Beads
* 公差/Tolerance:	±0.2mm
* 工作温度/Work Temperature :	-40 to 90℃
* 光效/Lens Light Efficiency :	>90%
* 组装/Assembly way :	Tape Glue
* 匹配光源/Match Led :	Cree XBD/XPE/XPG/XTE/XHP35 LG 3535 Seoul Z5M Nichia 219 Samsung LM315B Osram Oslon SMD3030



Direction for Use (使用须知)

- 1, Please use some soft paper or pure water to clean lens (reflector)
- 2, Don't use any industrial solvent to clean lens surface , such as alcohol
- 3, Storage environment : Temperature 0~40℃ , Humidity 30%~95%
- 4, This kind of lens can make the lighting more concentrated, and it's made from transparent material , so please do not open the packages until you use them, in case of the dust and other pollutions.

Product Package (产品包装)



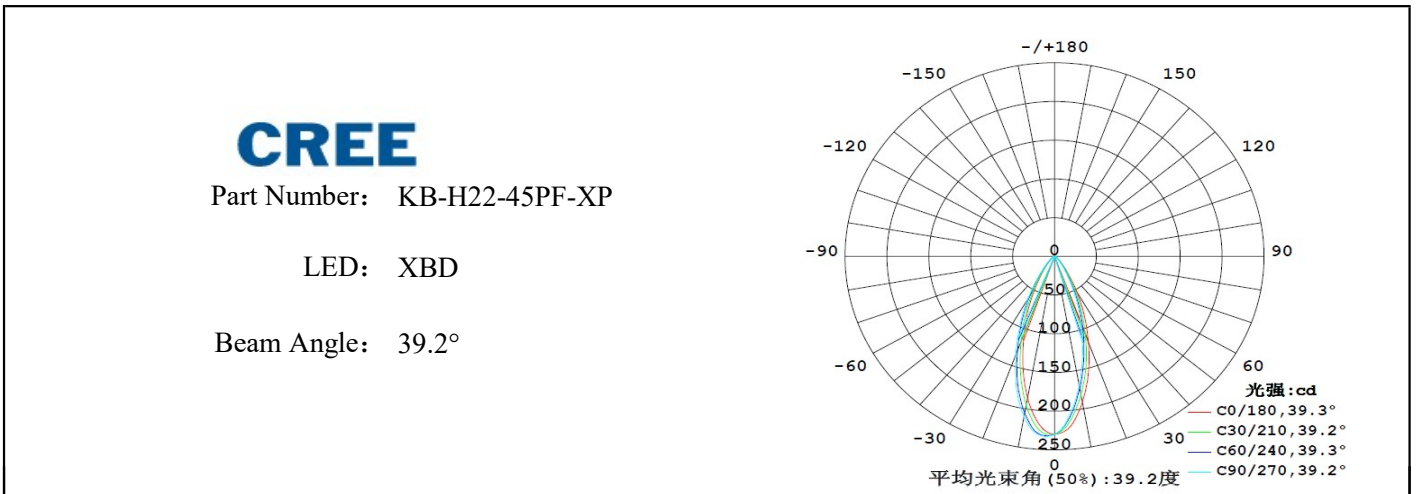
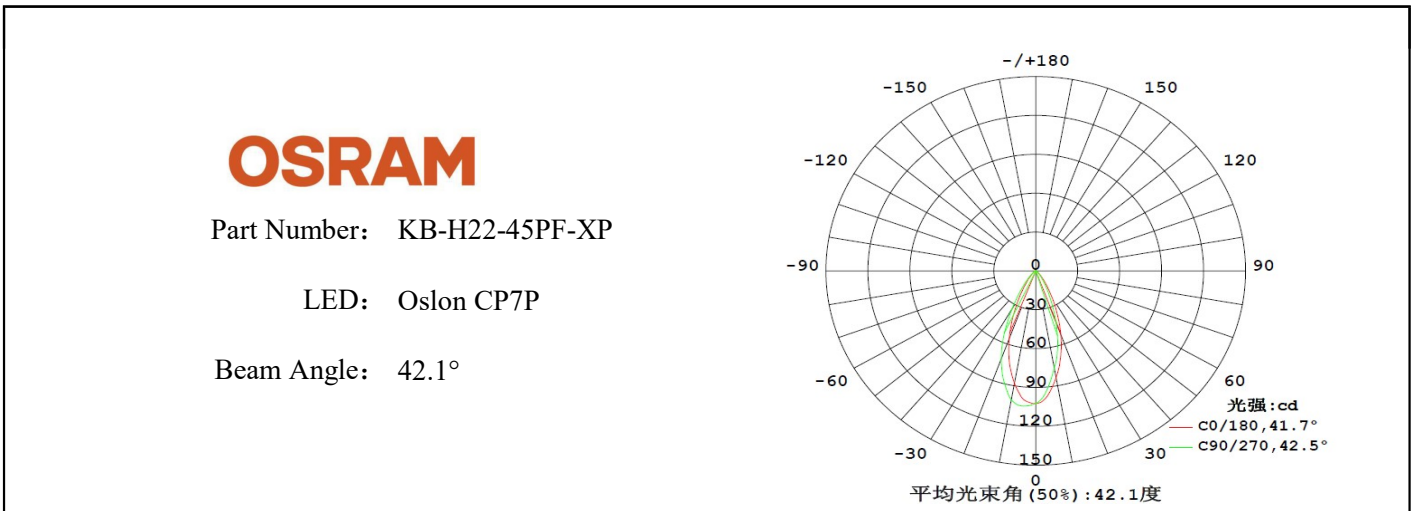
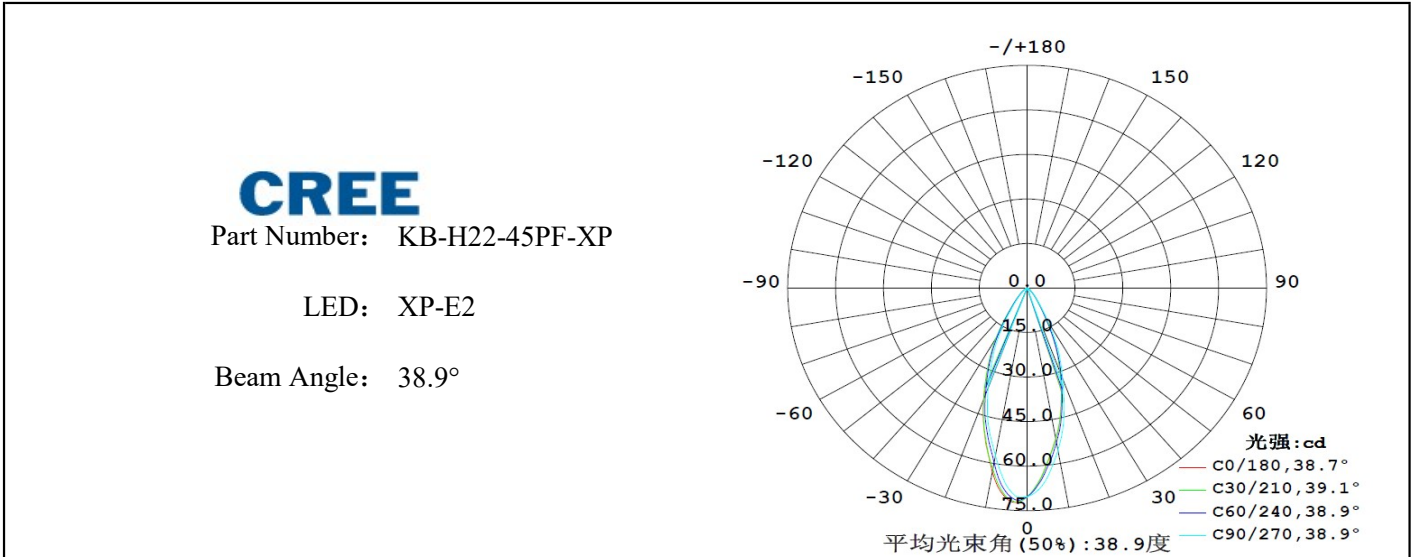
Lens with holder

225sets/box
20boxes/carton
G.W/Ctn: 17.6KG
Ctn Size: 62.5*29*26cm

Lens with holder and Tape

225sets/box
20boxes/carton
G.W/Ctn: 18.7KG
Ctn Size: 62.5*29*26cm

Light Distribution Curve (配光曲线图)



Product Parameters (产品描述)

* 品名/Product Name:	Led Lens
* 产品型号/Product Number :	KB-H22-60PF-XP KB-H22-60PF-OSN KB-H22-60PF-XBD
* 尺寸/Product Size :	Φ22*H11.55mm
* 角度/Beam Angle :	~60° FWHM
* 材质/Material :	Lens-PMMA Holder-PC
* 面型/Surface:	Beads
* 公差/Tolerance:	±0.2mm
* 工作温度/Work Temperature :	-40 to 90°C
* 光效/Lens Light Efficiency :	>90%
* 组装/Assembly way :	Tape Glue
* 匹配光源/Match Led :	Cree XBD/XPE/XPG/XTE/XHP35 LG 3535 Seoul Z5M Nichia 219 Samsung LM315B Osram Oslon SMD3030



Direction for Use (使用须知)

- 1, Please use some soft paper or pure water to clean lens (reflector)
- 2, Don't use any industrial solvent to clean lens surface , such as alcohol
- 3, Storage environment : Temperature 0~40°C , Humidity 30%~95%
- 4, This kind of lens can make the lighting more concentrated, and it's made from transparent material , so please do not open the packages until you use them, in case of the dust and other pollutions.

Product Package (产品包装)



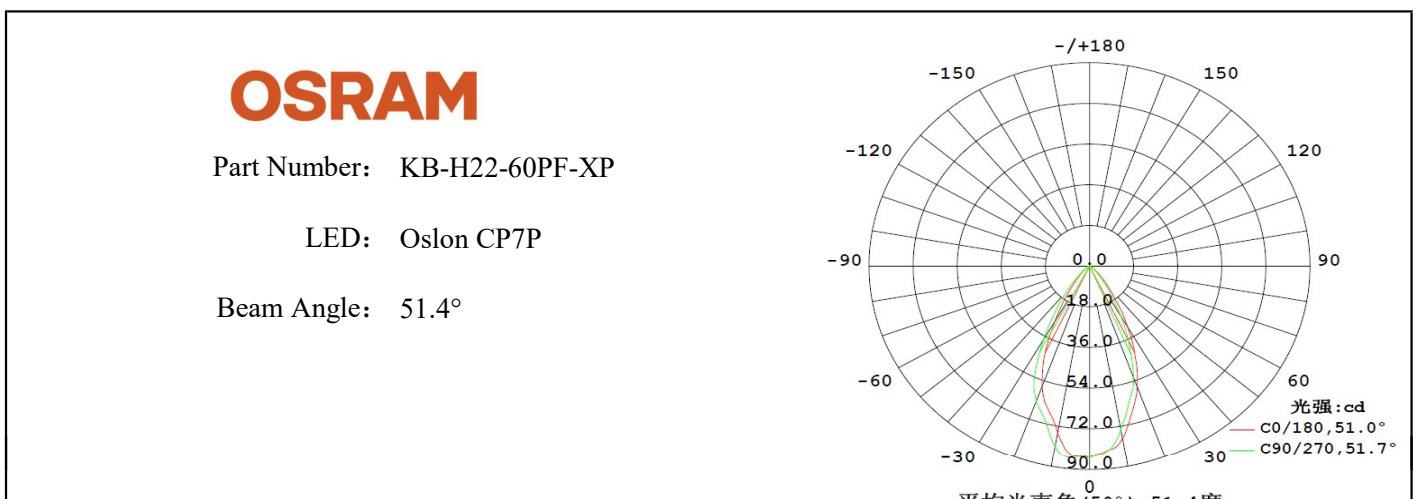
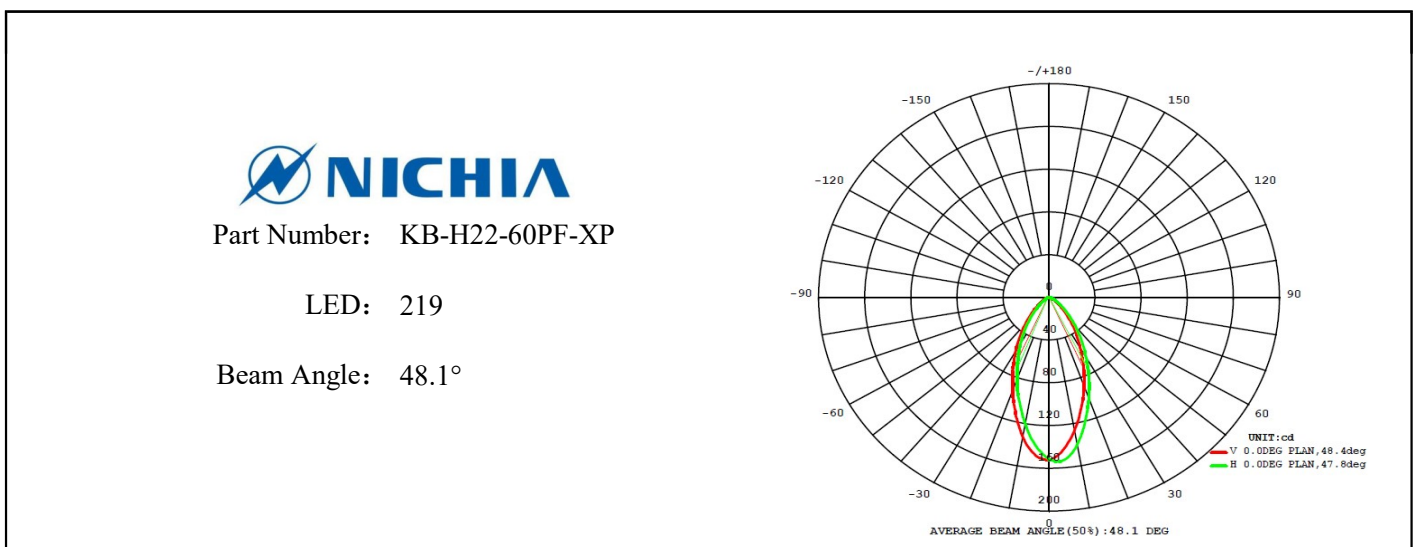
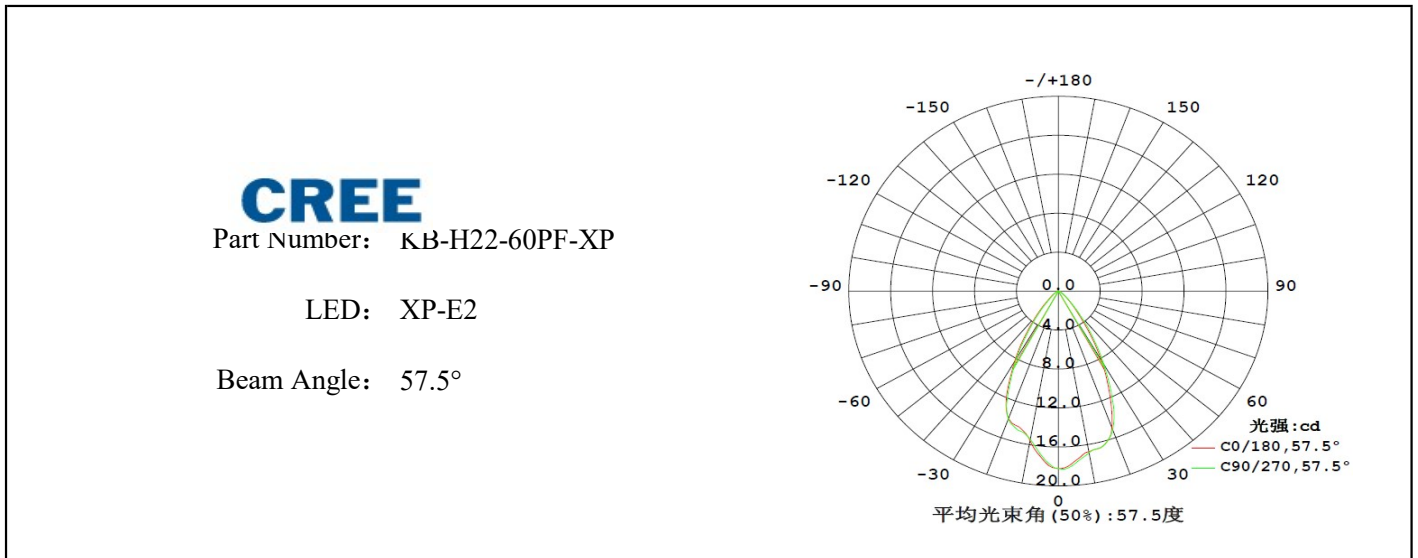
Lens with holder

225sets/box
20boxes/carton
G.W/Ctn: 17.6KG
Ctn Size: 62.5*29*26cm

Lens with holder and Tape

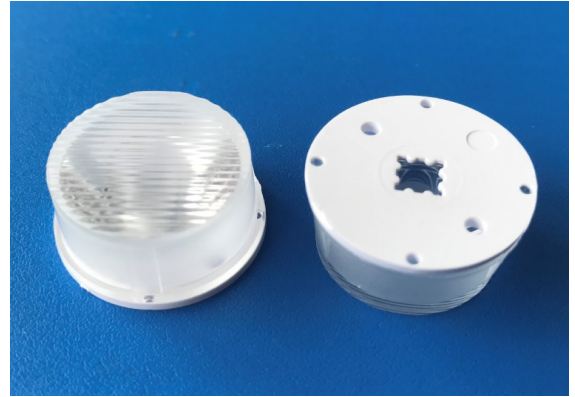
225sets/box
20boxes/carton
G.W/Ctn: 18.7KG
Ctn Size: 62.5*29*26cm

Light Distribution Curve (配光曲线图)



Product Parameters (产品描述)

* 品名/Product Name:	Led Lens
* 产品型号/Product Number :	KB-H22-1045F-XP KB-H22-1045F-OSN KB-H22-1045F-XBD
* 尺寸/Product Size :	Φ22*H11.55mm
* 角度/Beam Angle :	~10*45° FWHM
* 材质/Material :	Lens-PMMA Holder-PC
* 面型/Surface:	Ellipse
* 公差/Tolerance:	±0.2mm
* 工作温度/Work Temperature :	-40 to 90℃
* 光效/Lens Light Efficiency :	>90%
* 组装/Assembly way :	Tape Glue
* 匹配光源/Match Led :	Cree XBD/XPE/XPG/XTE/XHP35 LG 3535 Seoul Z5M Nichia 219
	Samsung LM315B Osram Oslon SMD3030



Direction for Use (使用须知)

- 1, Please use some soft paper or pure water to clean lens (reflector)
- 2, Don't use any industrial solvent to clean lens surface , such as alcohol
- 3, Storage environment : Temperature 0~40℃ , Humidity 30%~95%
- 4, This kind of lens can make the lighting more concentrated, and it's made from transparent material , so please do not open the packages until you use them, in case of the dust and other pollutions.

Product Package (产品包装)



Lens with holder

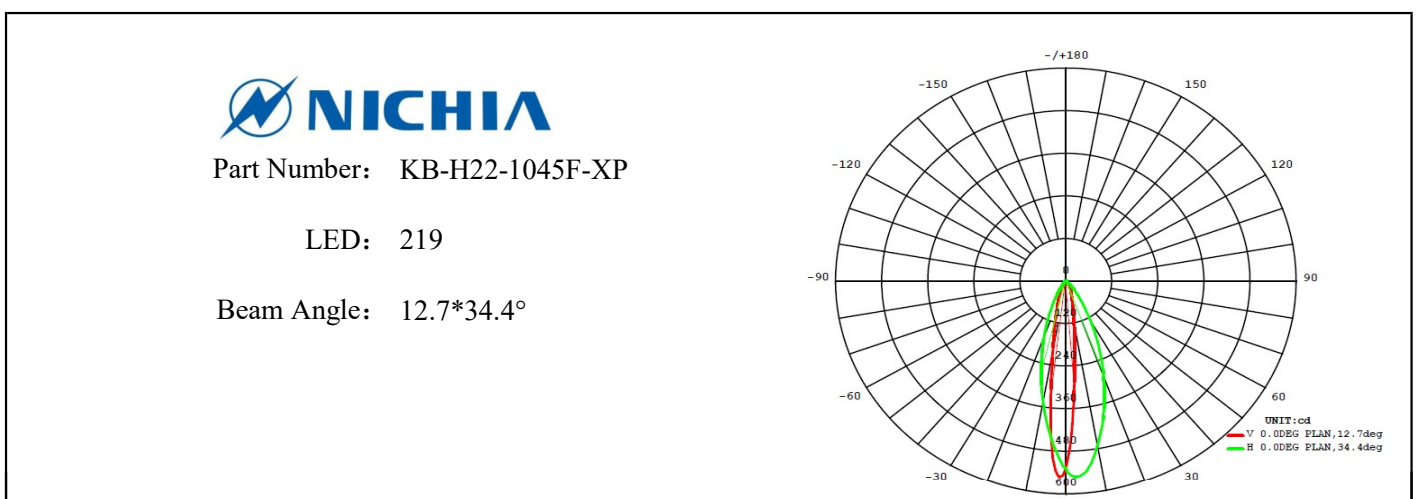
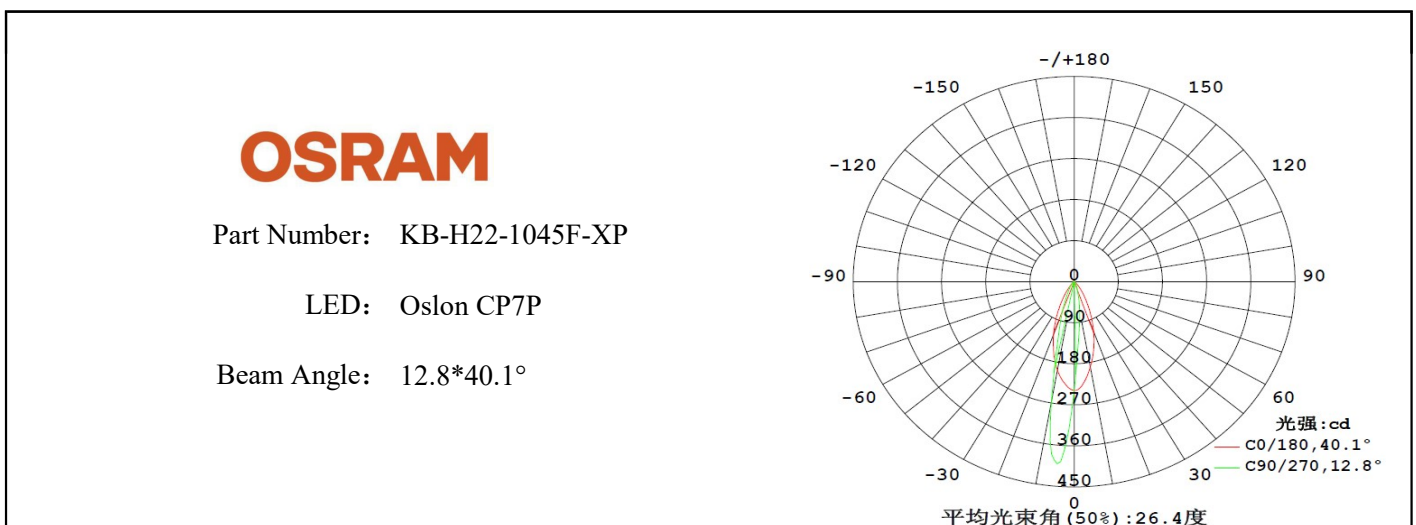
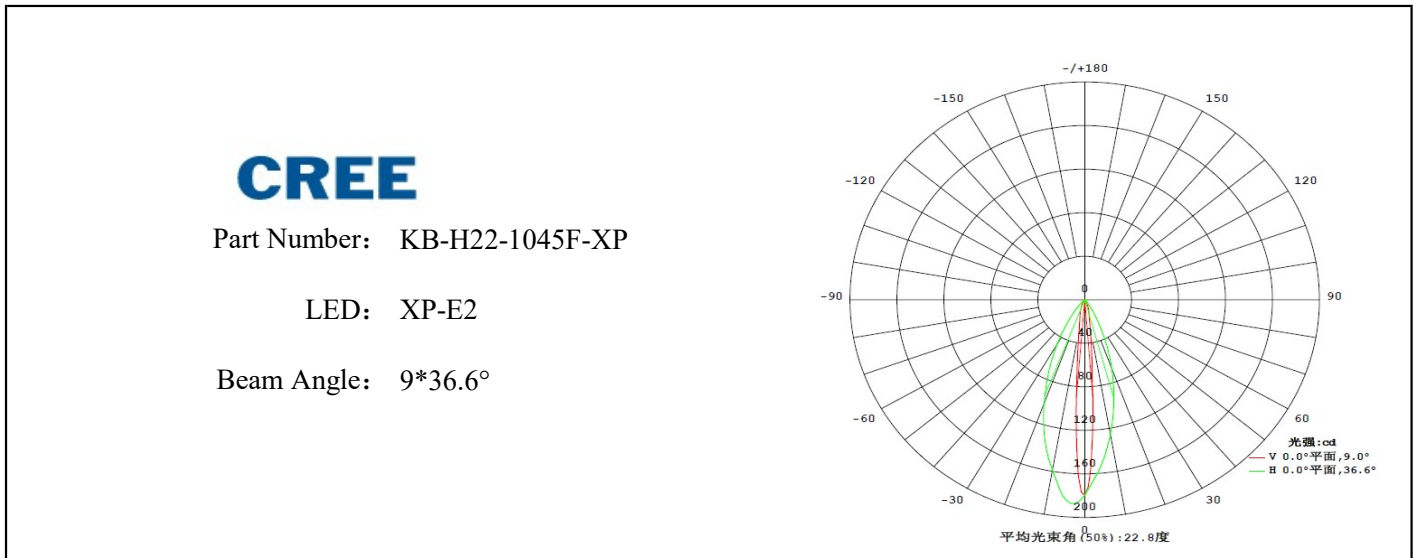
225sets/box
20boxes/carton
G.W/Ctn: 17.6KG
Ctn Size: 62.5*29*26cm



Lens with holder and Tape

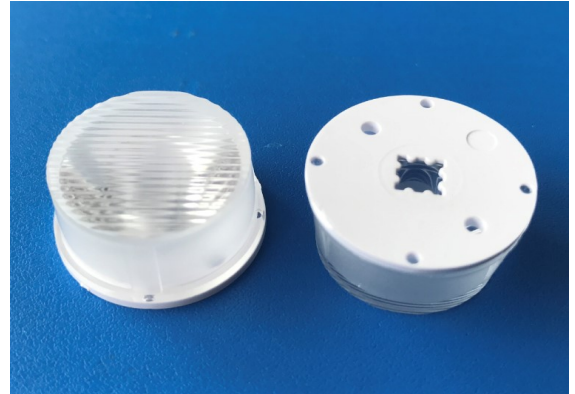
225sets/box
20boxes/carton
G.W/Ctn: 18.7KG
Ctn Size: 62.5*29*26cm

Light Distribution Curve (配光曲线图)



Product Parameters (产品描述)

* 品名/Product Name:	Led Lens
* 产品型号/Product Number :	KB-H22-1060F-XP KB-H22-1060F-OSN KB-H22-1060F-XBD
* 尺寸/Product Size :	Φ22*H11.55mm
* 角度/Beam Angle :	~10*60° FWHM
* 材质/Material :	Lens-PMMA Holder-PC
* 面型/Surface:	Ellipse
* 公差/Tolerance:	±0.2mm
* 工作温度/Work Temperature :	-40 to 90°C
* 光效/Lens Light Efficiency :	>90%
* 组装/Assembly way :	Tape Glue
* 匹配光源/Match Led :	Cree XBD/XPE/XPG/XTE/XHP35 LG 3535 Seoul Z5M Nichia 219
	Samsung LM315B Osram Oslon SMD3030



Direction for Use (使用须知)

- 1, Please use some soft paper or pure water to clean lens (reflector)
- 2, Don't use any industrial solvent to clean lens surface , such as alcohol
- 3, Storage environment : Temperature 0~40°C , Humidity 30%~95%
- 4, This kind of lens can make the lighting more concentrated, and it's made from transparent material , so please do not open the packages until you use them, in case of the dust and other pollutions.

Product Package (产品包装)



Lens with holder

225sets/box
20boxes/carton
G.W/Ctn: 17.6KG
Ctn Size: 62.5*29*26cm



Lens with holder and Tape

225sets/box
20boxes/carton
G.W/Ctn: 18.7KG
Ctn Size: 62.5*29*26cm

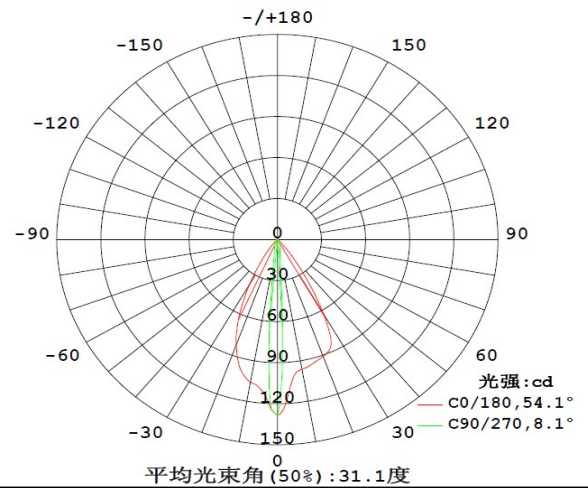
Light Distribution Curve (配光曲线图)

CREE

Part Number: KB-H22-1060F-XP

LED: XP-E2

Beam Angle: 8.1*54.1°

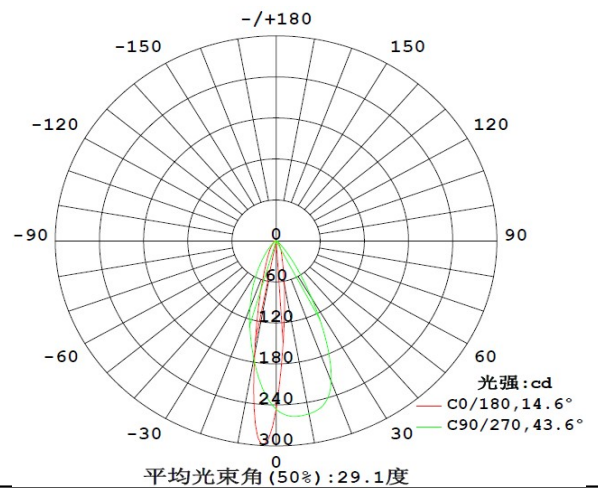


CREE

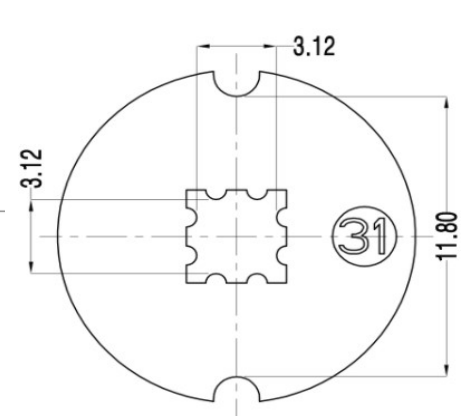
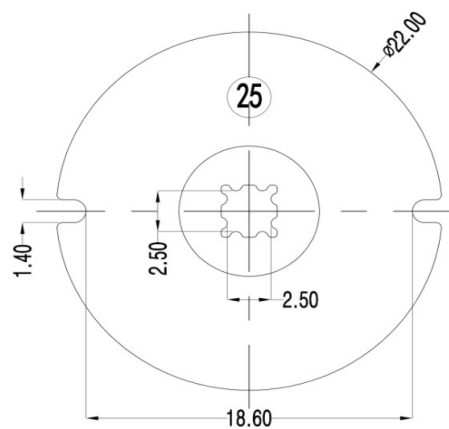
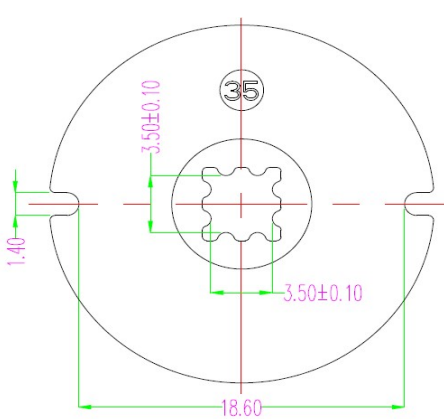
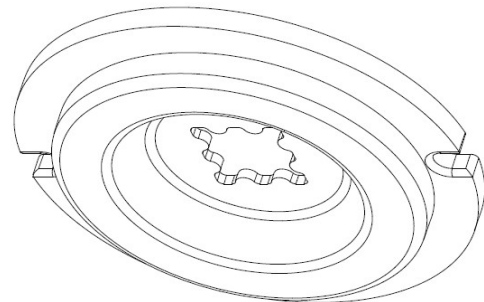
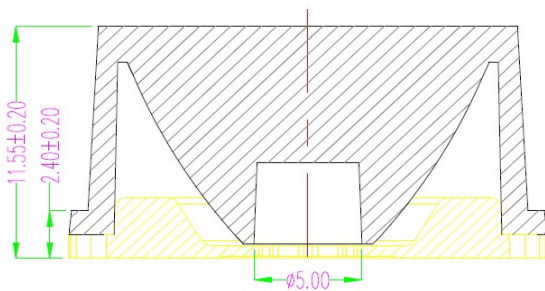
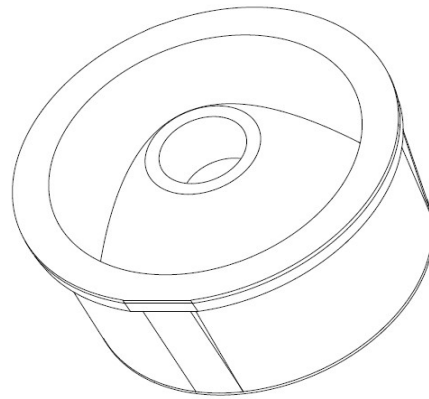
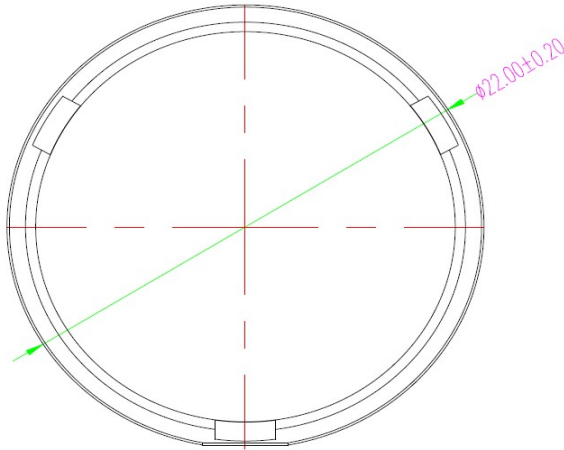
Part Number: KB-H22-1060F-XP

LED: XBD

Beam Angle: 14.6*43.6°



Mechanical Characteristics:



[Cree XP/3535 Led Holder](#)

[Cree XBD Holder](#)

[Osram Oslon/SMD3030 Holder](#)