



**Product Parameters (产品描述)**

产品编号 | Part No.: KB-H22-xxZ-XP  
出光角度 | Angle: 7~60°/Oval  
产品材料 | Material: PMMA  
工作温度 | Work Temp: <85°C

安装方式 | Fastening: Pins+Glue  
支架颜色 | Holder Color: N/A  
透光率 | Transmittance: 93%  
匹配LED | Match Led: Dome/Flat 3030|3535

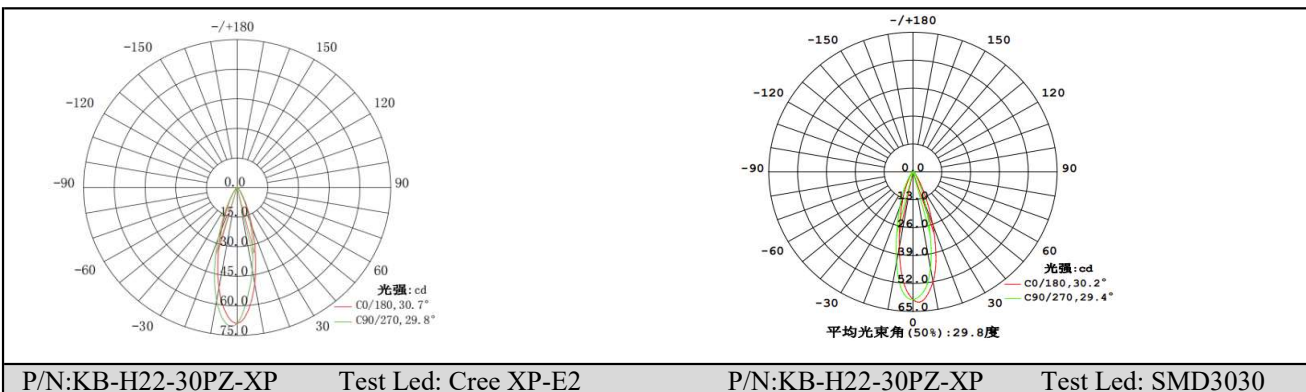
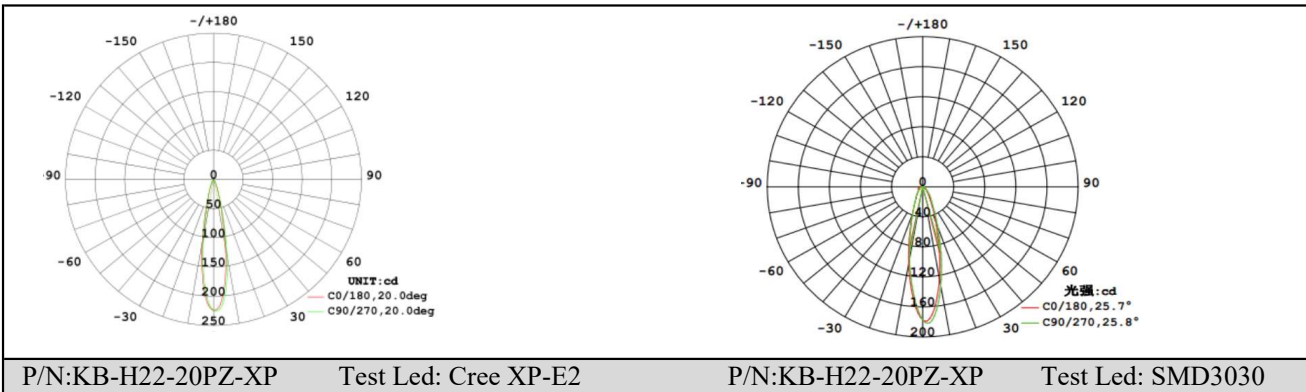
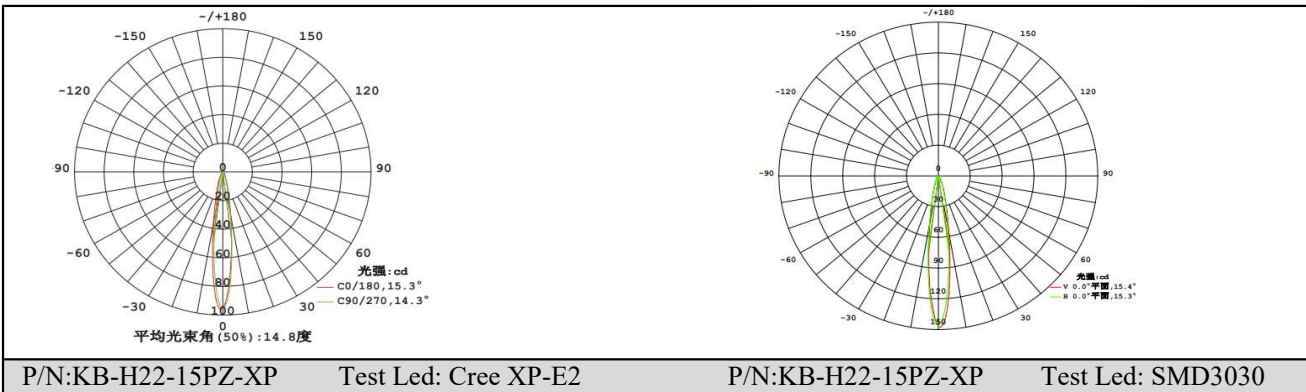
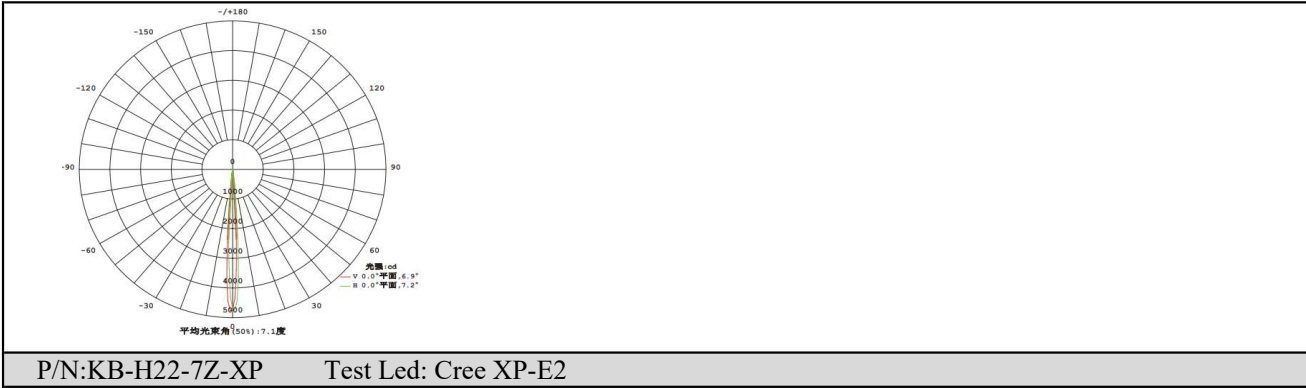
Part Number	Lens Surface	Dimension	Beam Angle
KB-H22-7Z-XP	沙面/matt	Φ22.7*H12.4mm	~7°
KB-H22-15PZ-XP	珠面/beads	Φ22.7*H12.4mm	~15°
KB-H22-20PZ-XP	珠面/beads	Φ22.7*H12.4mm	~20°
KB-H22-30PZ-XP	珠面/beads	Φ22.7*H12.4mm	~30°
KB-H22-50PZ-XP	珠面/beads	Φ22.7*H12.4mm	~50°
KB-H22-60PZ-XP	珠面/beads	Φ22.7*H12.4mm	~50°
KB-H22-1525Z-XP	条纹面/strip	Φ22.7*H12.4mm	~15*25°
KB-H22-1060Z-XP	条纹面/strip	Φ22.7*H12.4mm	~10*60°
KB-H22-2040Z-XP	条纹面/strip	Φ22.7*H12.4mm	~20*40°
KB-H22-3060Z-XP	条纹面/strip	Φ22.7*H12.4mm	~30*60°
KB-H22-30PGZ-XP	珠面/beads	Φ22.7*H12.4mm	~30°/P25°
KB-H22-2545PGZ-XP	条纹面/strip	Φ22.7*H13.1mm	~25*45°/P25°

**Direction for Use**

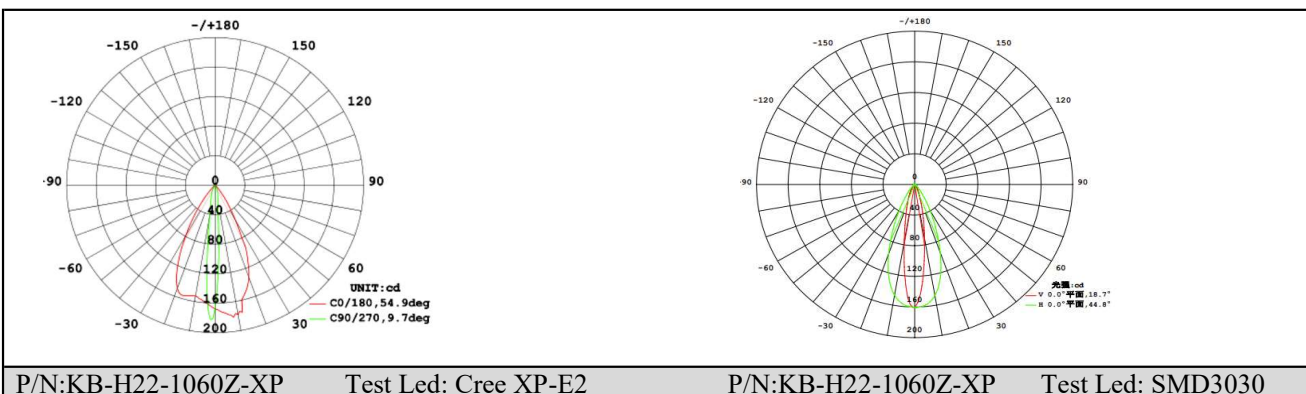
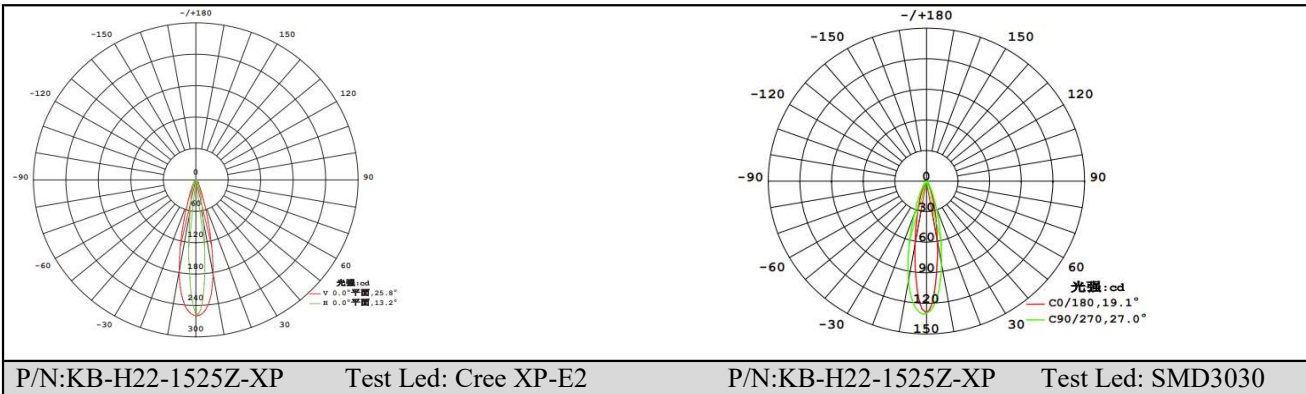
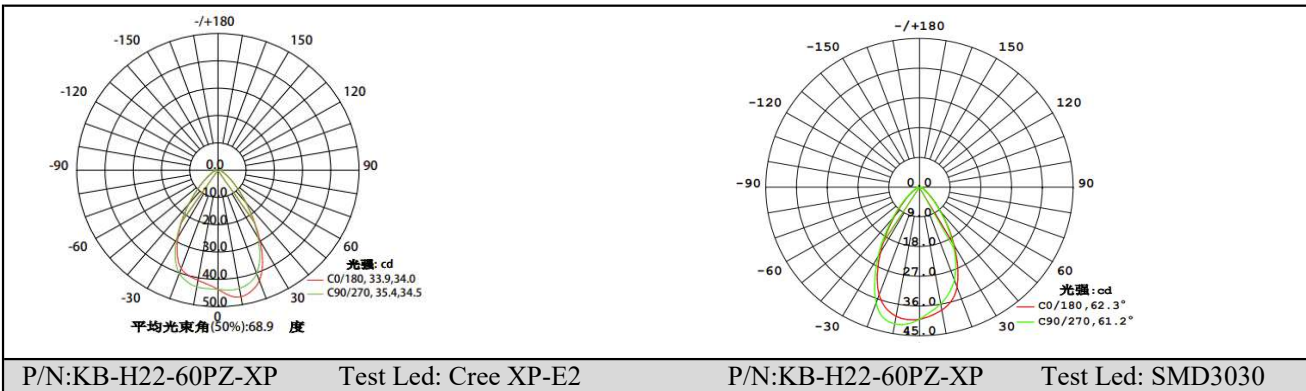
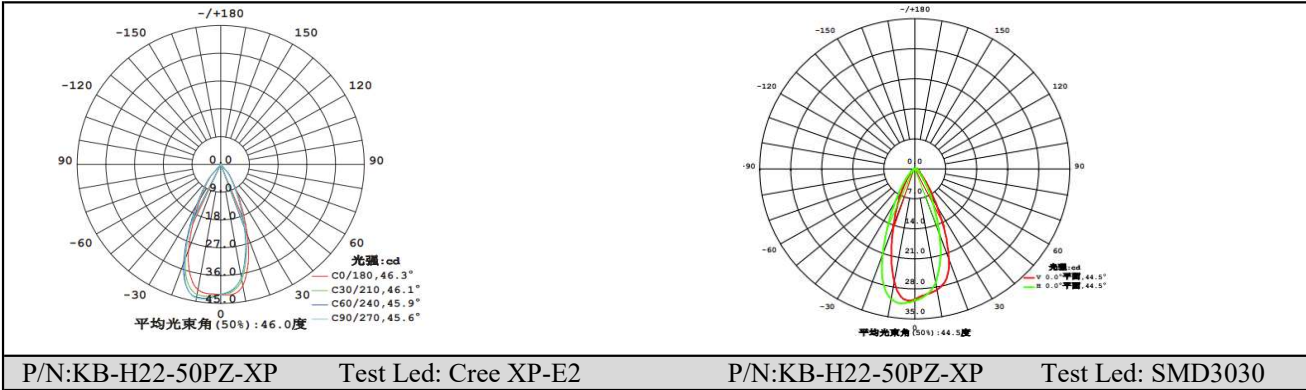
(透镜 | LENS)

- 1, Please use some soft paper or pure water to clean lens ( reflector)
- 2, Don't use any industrial solvent to clean lens surface , such as alcohol
- 3, Storage environment : Temperature 0~40°C , Humidity 30%~95%
- 4, This kind of lens can make the lighting more concentrated, and it's made from transparent material , so please do not open the packages until you use them, in case of the dust and other pollutions.

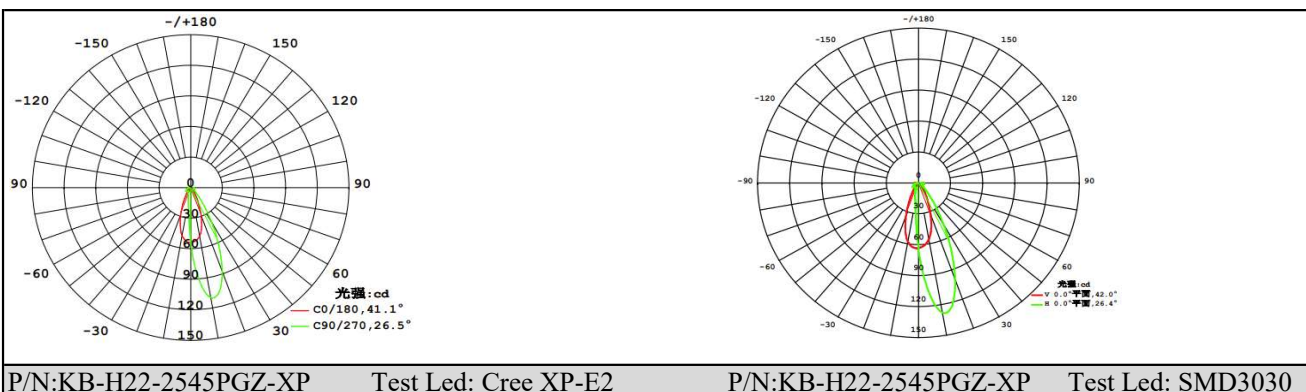
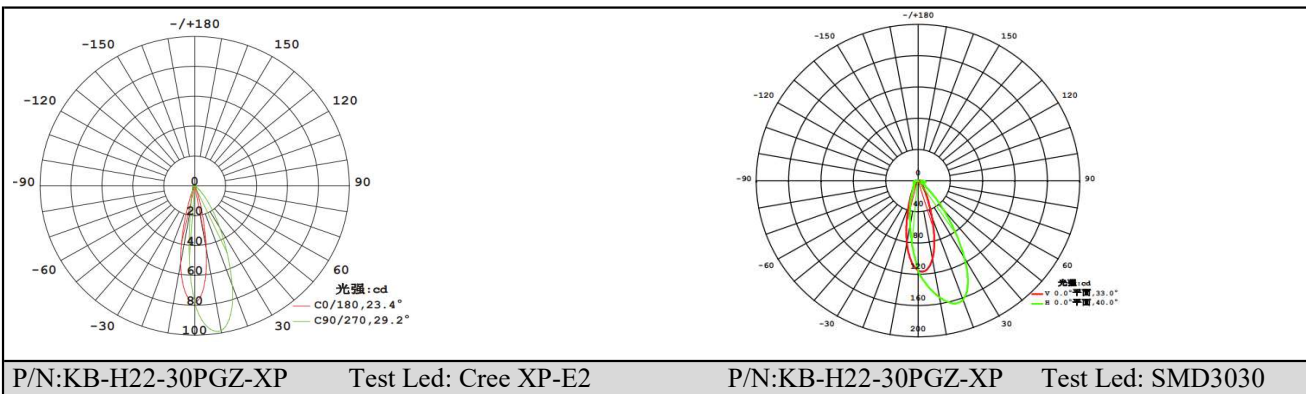
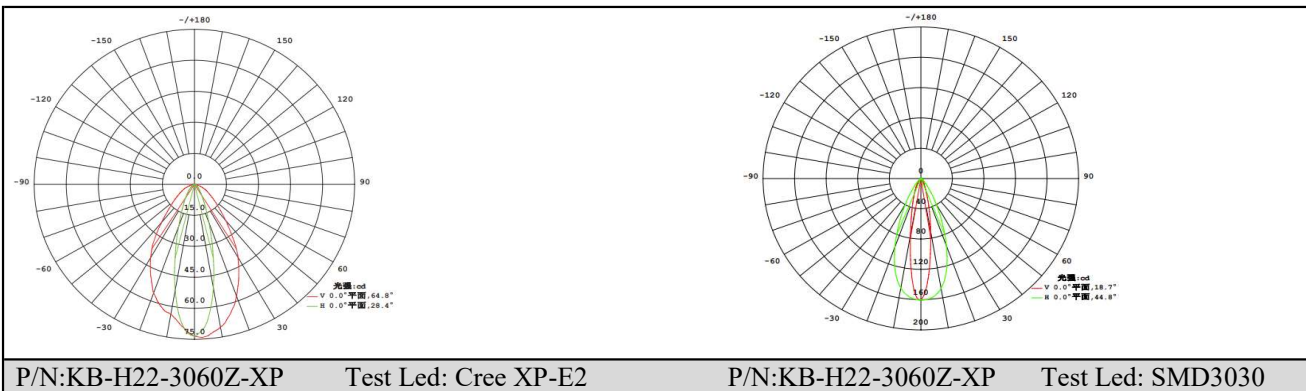
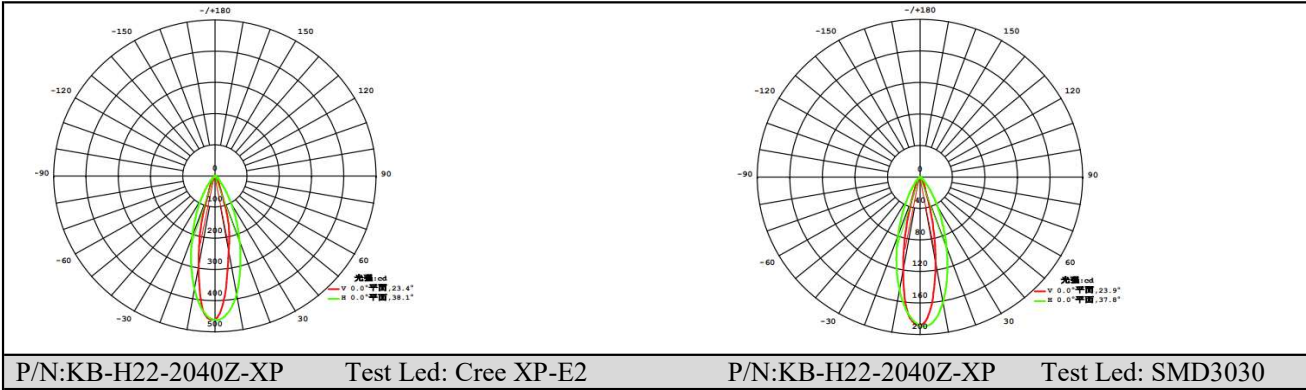
**Optical Characteristics (光学参数):**



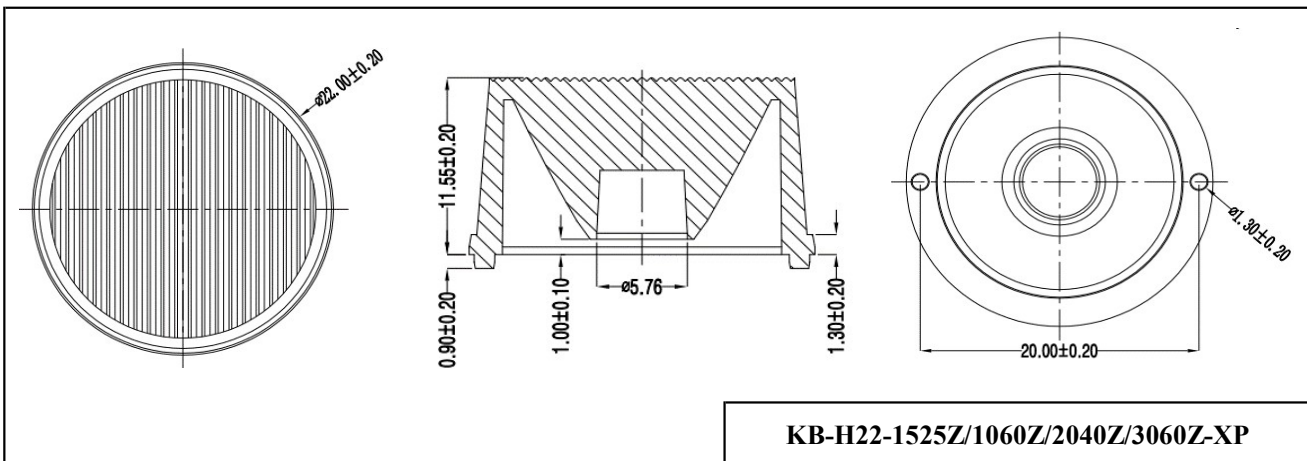
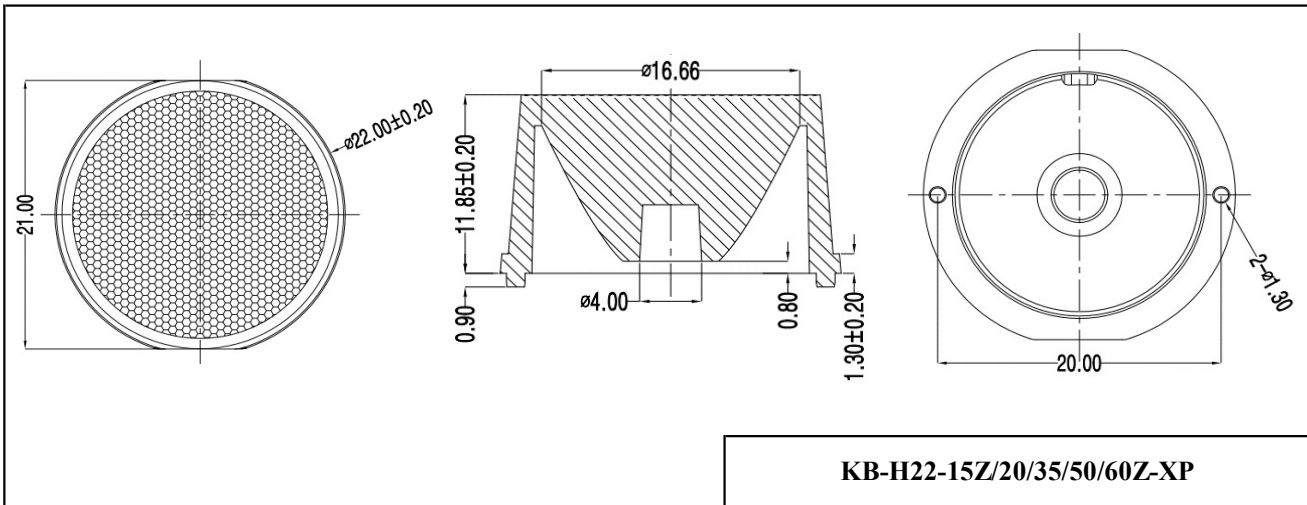
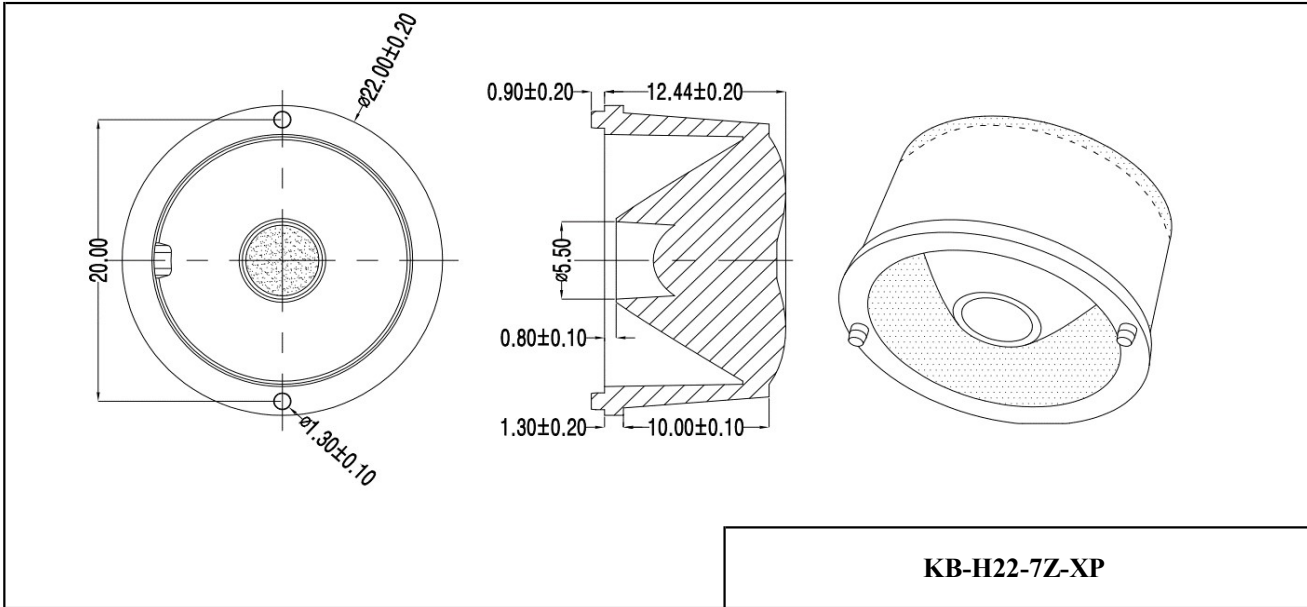
**Optical Characteristics (光学参数):**



**Optical Characteristics (光学参数):**



**Mechanical Characteristics (产品尺寸):**



Mechanical Characteristics (产品尺寸):

