



Product Parameters (产品描述)

出光角度 | Beam Angle: 10/15/30/45/60°
 产品材料 | Material: PMMA
 工作温度 | Work Temp: <85°C

支架颜色 | Holder Color: N/A
 透光率 | Transmittance: 93%
 匹配LED | Match Led: Dome/Flat 3030|3535 Leds

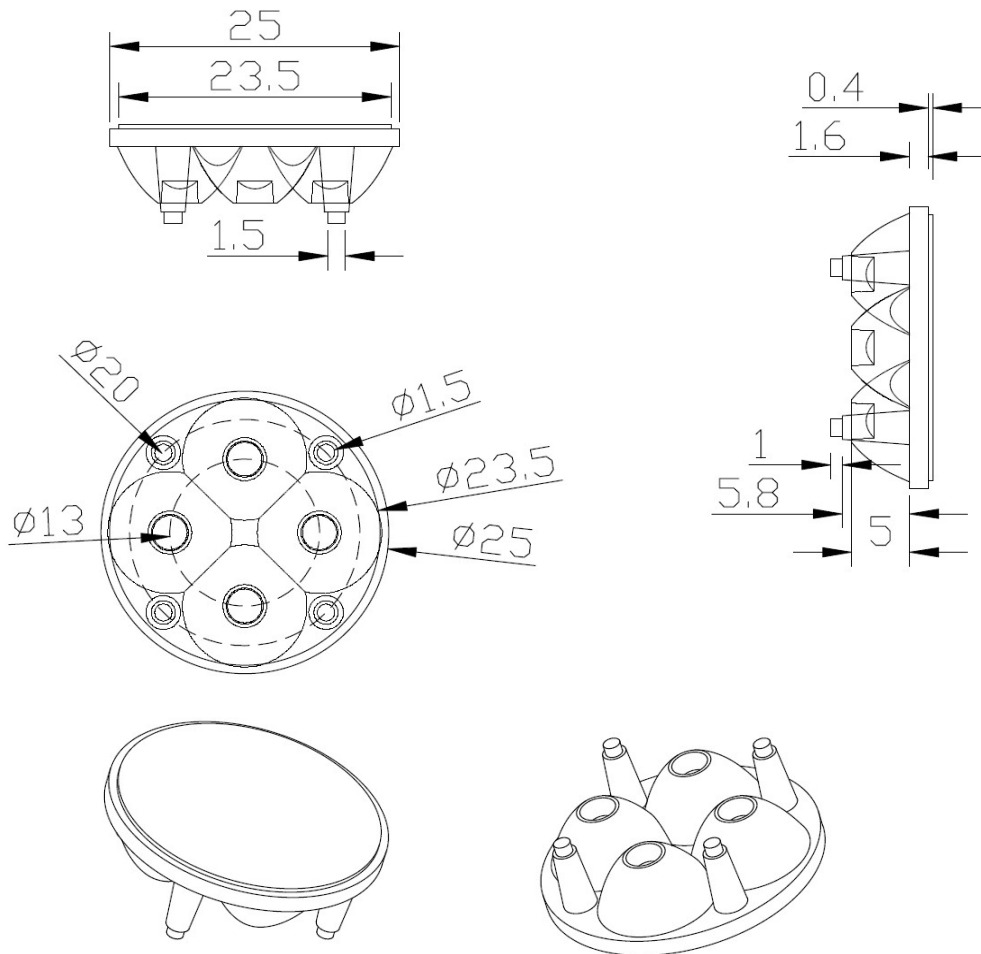
Part Number	Lens Surface	Dimension	Beam Angle
KB-P25-10-4-XP	transparent	Φ25.0*H7.8mm	~10°
KB-P25-15-4-XP	transparent	Φ25.0*H7.8mm	~15°
KB-P25-30-4-XP	transparent	Φ25.0*H7.8mm	~30°
KB-P25-45-4-XP	transparent	Φ25.0*H7.8mm	~45°
KB-P25-60-4-XP	transparent	Φ25.0*H7.8mm	~60°
KB-P25-10P-4-XP	beads	Φ25.0*H7.8mm	~10°
KB-P25-15P-4-XP	beads	Φ25.0*H7.8mm	~15°
KB-P25-30P-4-XP	beads	Φ25.0*H7.8mm	~30°
KB-P25-45P-4-XP	beads	Φ25.0*H7.8mm	~45°
KB-P25-60P-4-XP	beads	Φ25.0*H7.8mm	~60°

Direction for Use

(透镜 | LENS)

- 1, Please use some soft paper or pure water to clean lens (reflector)
- 2, Don't use any industrial solvent to clean lens surface , such as alcohol
- 3, Storage environment : Temperature 0~40°C , Humidity 30%~95%
- 4, This kind of lens can make the lighting more concentrated, and it's made from transparent material , so please do not open the packages until you use them, in case of the dust and other pollutions.

Mechanical Characteristics (产品尺寸):



Product Package (产品包装):

Inner Box (内盒)	Outer Carton (外箱)
	
<p>28pcs/layer 280pcs/box Gross weight: 0.8kg/box</p>	<p>20boxes/carton 5,600pcs/carton Gross weight: 17kg/CTN Carton Dimension: 40*40*30cm</p>