



### Product Parameters (产品描述)

出光角度 | Beam Angle: 10/15/25/30/45/60°  
 产品材料 | Material: PMMA  
 工作温度 | Work Temp: <85°C

支架颜色 | Holder Color: N/A  
 透光率 | Transmittance: 93%  
 匹配LED | Match Led: Dome/Flat 3030|3535 Leds

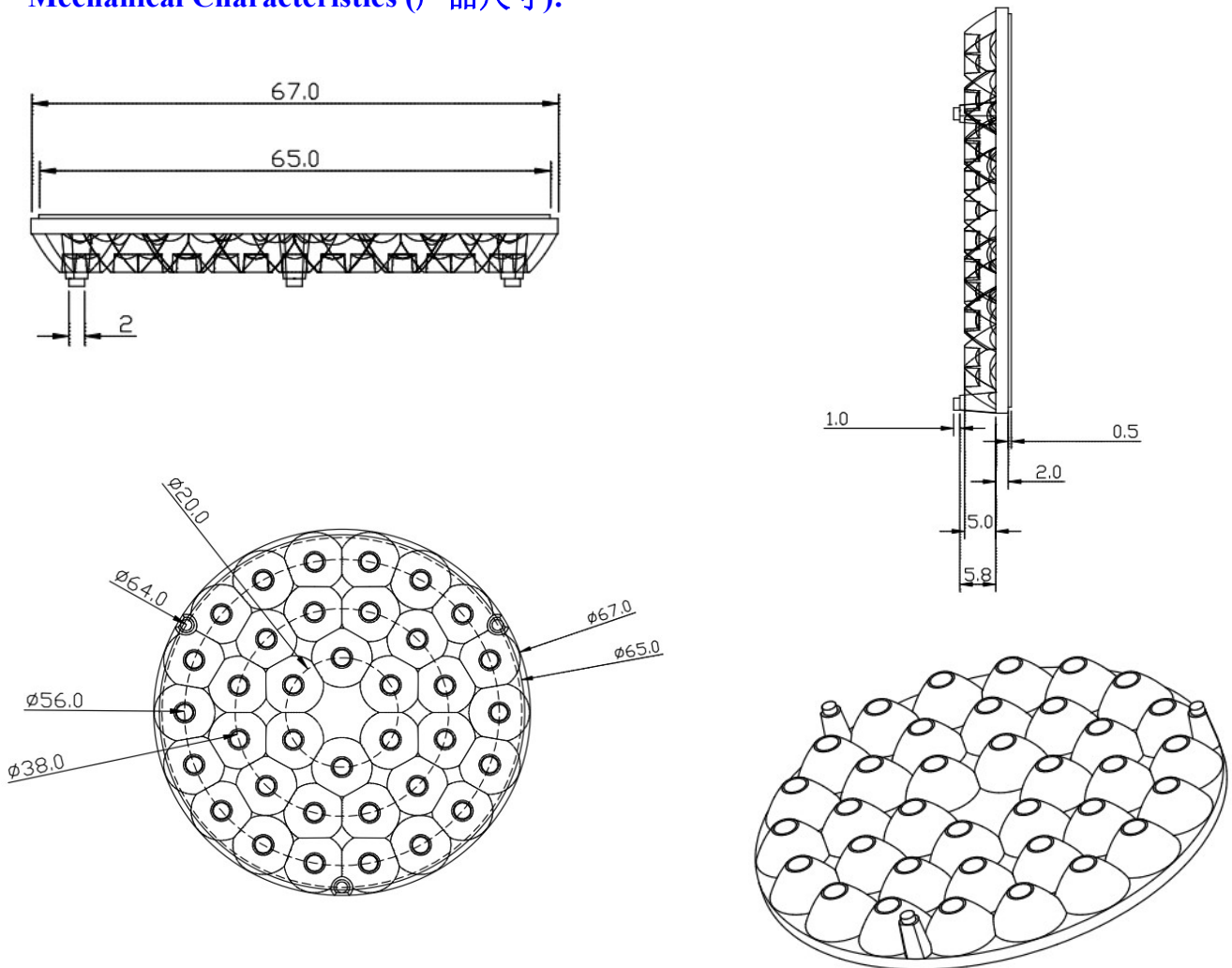
Part Number	Lens Surface	Dimension	Beam Angle
KB-P67-10-30-XP	transparent	Φ67.0*H8.3mm	~10°
KB-P67-15-30-XP	transparent	Φ67.0*H8.3mm	~15°
KB-P67-25-30-XP	transparent	Φ67.0*H8.3mm	~25°
KB-P67-30-30-XP	transparent	Φ67.0*H8.3mm	~30°
KB-P67-45-30-XP	transparent	Φ67.0*H8.3mm	~45°
KB-P67-60-30-XP	transparent	Φ67.0*H8.3mm	~60°
KB-P67-10P-30-XP	beads	Φ67.0*H8.3mm	~10°
KB-P67-15P-30-XP	beads	Φ67.0*H8.3mm	~15°
KB-P67-25P-30-XP	beads	Φ67.0*H8.3mm	~25°
KB-P67-30P-30-XP	beads	Φ67.0*H8.3mm	~30°
KB-P67-45P-30-XP	beads	Φ67.0*H8.3mm	~45°
KB-P67-60P-30-XP	beads	Φ67.0*H8.3mm	~60°

### Direction for Use



#### (透镜 | LENS)

- 1, Please use some soft paper or pure water to clean lens ( reflector)
- 2, Don't use any industrial solvent to clean lens surface , such as alcohol
- 3, Storage environment : Temperature 0~40°C , Humidity 30%~95%
- 4, This kind of lens can make the lighting more concentrated, and it's made from transparent material , so please do not open the packages until you use them, in case of the dust and other pollutions.

**Mechanical Characteristics (产品尺寸):**



**Product Package (产品包装):**

Inner Box (内盒)	Outer Carton (外箱)
	
<p>20pcs/tray Gross weight: 0.7kg/tray Box dimension: 16*12*9cm</p>	<p>25 trays/carton 500pcs/carton Gross weight: 17.5kg/CTN Carton Dimension: 40*40*44cm</p>