

Product Parameters:

- * Product Name: Led Lens
- * Part Number : KB-R10-3560M-2835
- * Product Size : L9.0*W10.2*H6.6mm

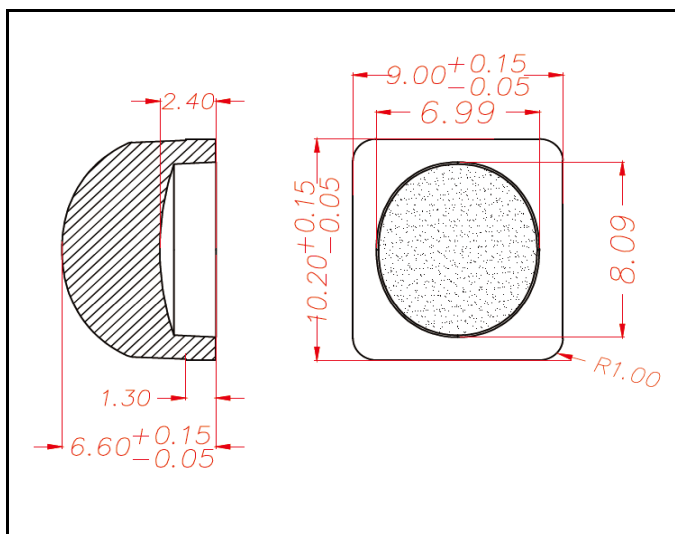
- * Beam Angle : ~35*60 degree
- * Material : PMMA
- * PCB hole-drilling: NO

- * Tolerance: ±0.15mm
- * Work Temperature : -40 ~ 90℃
- * Transmittance: 93%

- * Application: led strip light
- * Assembly : Glue/SMT machine
- * Match Led : SMD2835 square



Product Drawing:



Light Distribution Curve:

