



Product Parameters (产品描述)

产品名称 | Product Name: High Bay Led Lens
出光角度 | Beam Angle: 60/90/120°
产品材料 | Material: PC
工作温度 | Work Temp: <105°C

安装方式 | Fastening: Screw
防水圈 | Silica seal : available
透光率 | Transmittance: 93%
匹配LED | Match Led: SMD3030/2835 Leds

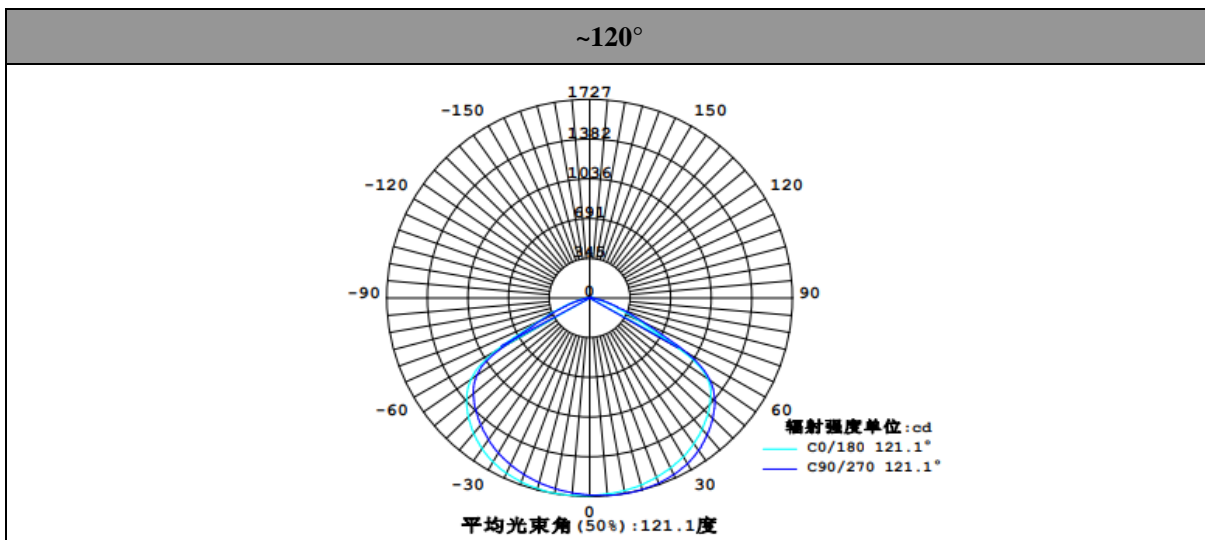
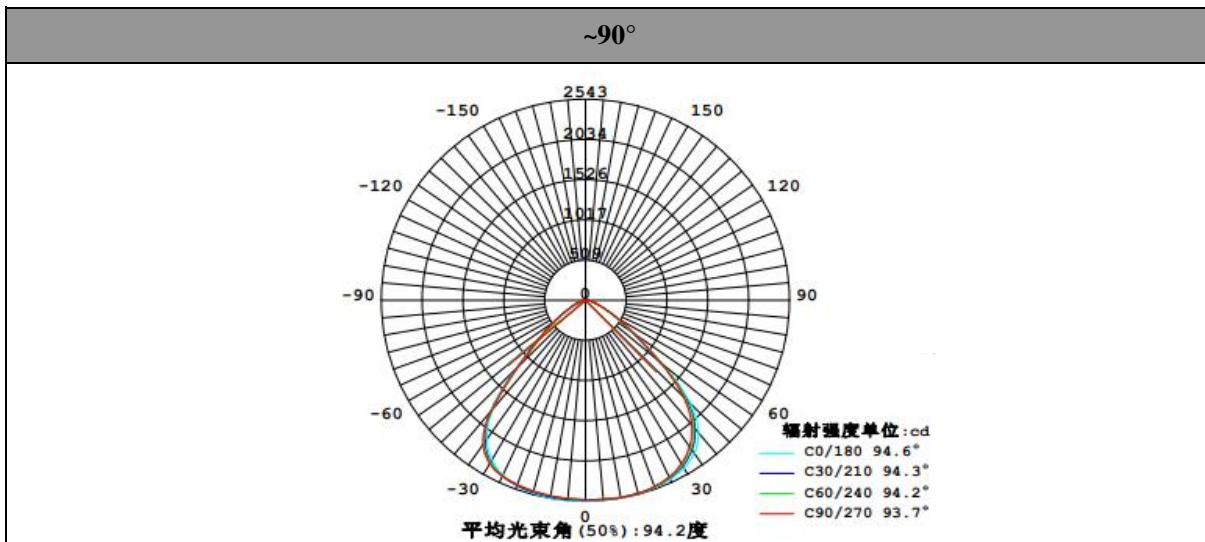
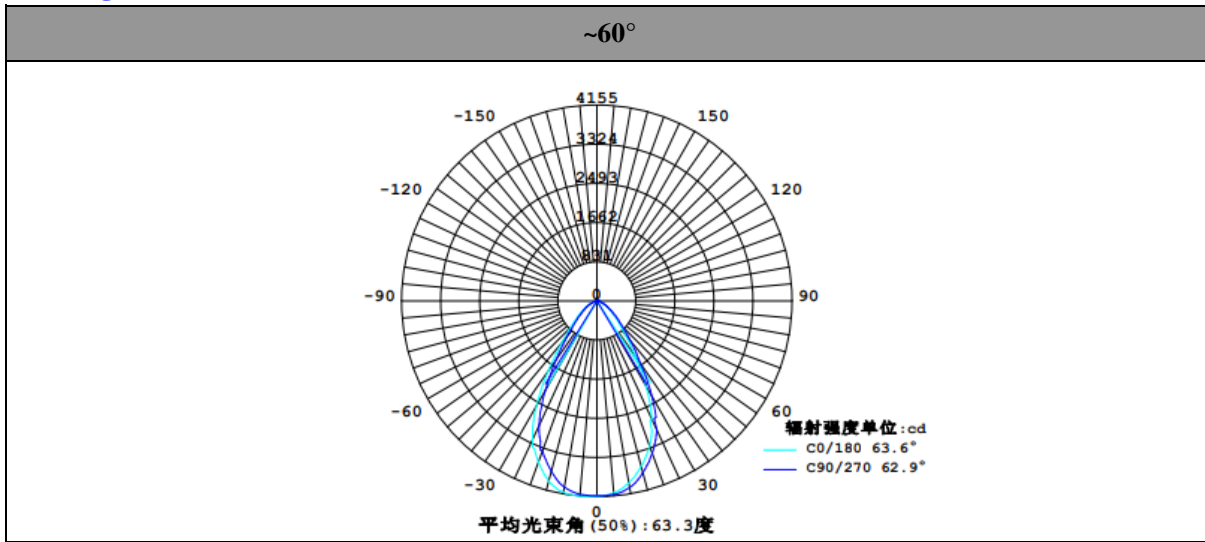
Part Number	Design Feature	Dimension	Beam Angle
KB-HB184-60-B	Sensor design	Φ184*H7mm	~60°
KB-HB184-90-B	Sensor design	Φ184*H7mm	~90°
KB-HB184-120-B	Sensor design	Φ184*H7mm	~120°
KB-HB226-60-B	Sensor design	Φ226*H7mm	~60°
KB-HB226-90-B	Sensor design	Φ226*H7mm	~90°
KB-HB226-120-B	Sensor design	Φ226*H7mm	~120°
KB-HB265-60-B	Sensor design	Φ265*H7mm	~60°
KB-HB265-90-B	Sensor design	Φ265*H7mm	~90°
KB-HB265-120-B	Sensor design	Φ265*H7mm	~120°

Direction for Use

(透镜 | LENS)

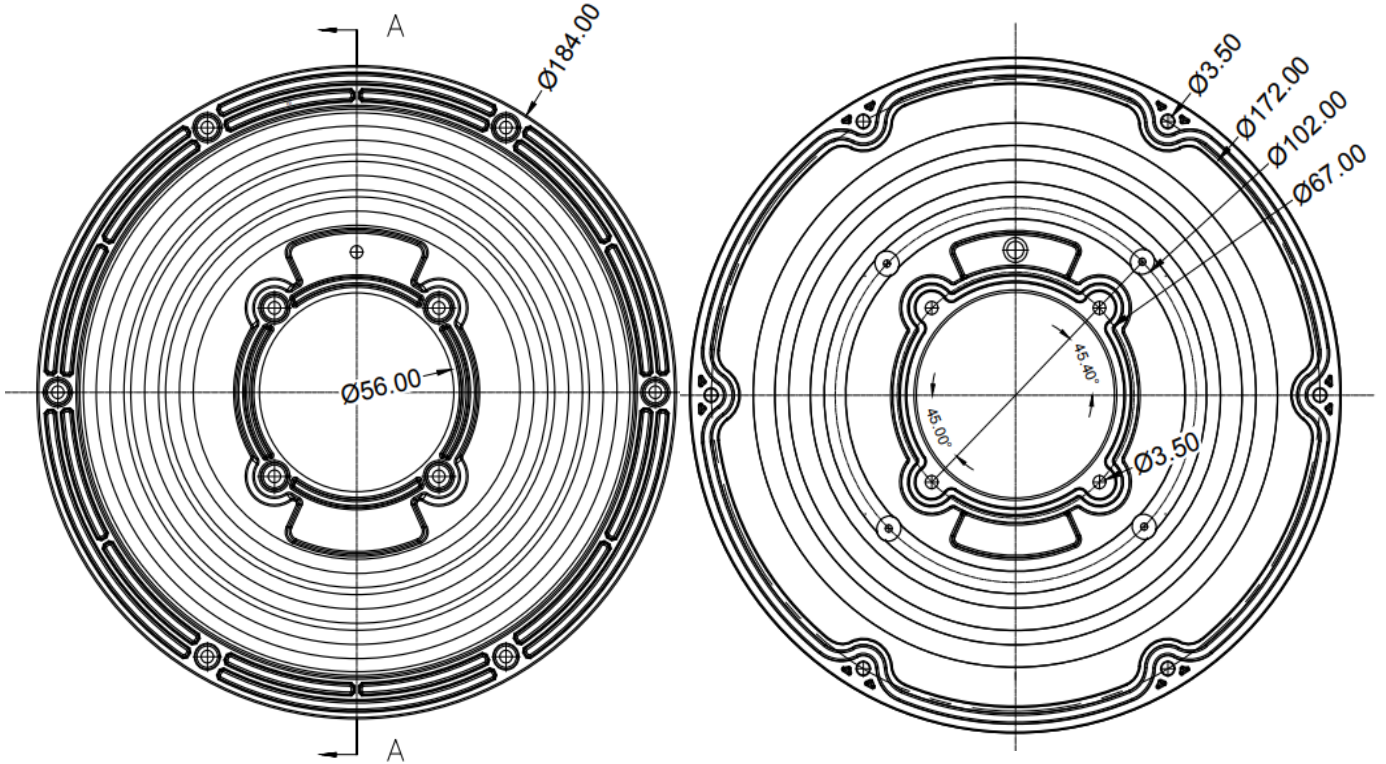
- 1, Please use some soft paper or pure water to clean lens (reflector)
- 2, Don't use any industrial solvent to clean lens surface , such as alcohol
- 3, Storage environment : Temperature 0~40°C , Humidity 30%~95%
- 4, This kind of lens can make the lighting more concentrated, and it's made from transparent material , so please do not open the packages until you use them, in case of the dust and other pollutions.

Light Distribution Curve (配光曲线图):

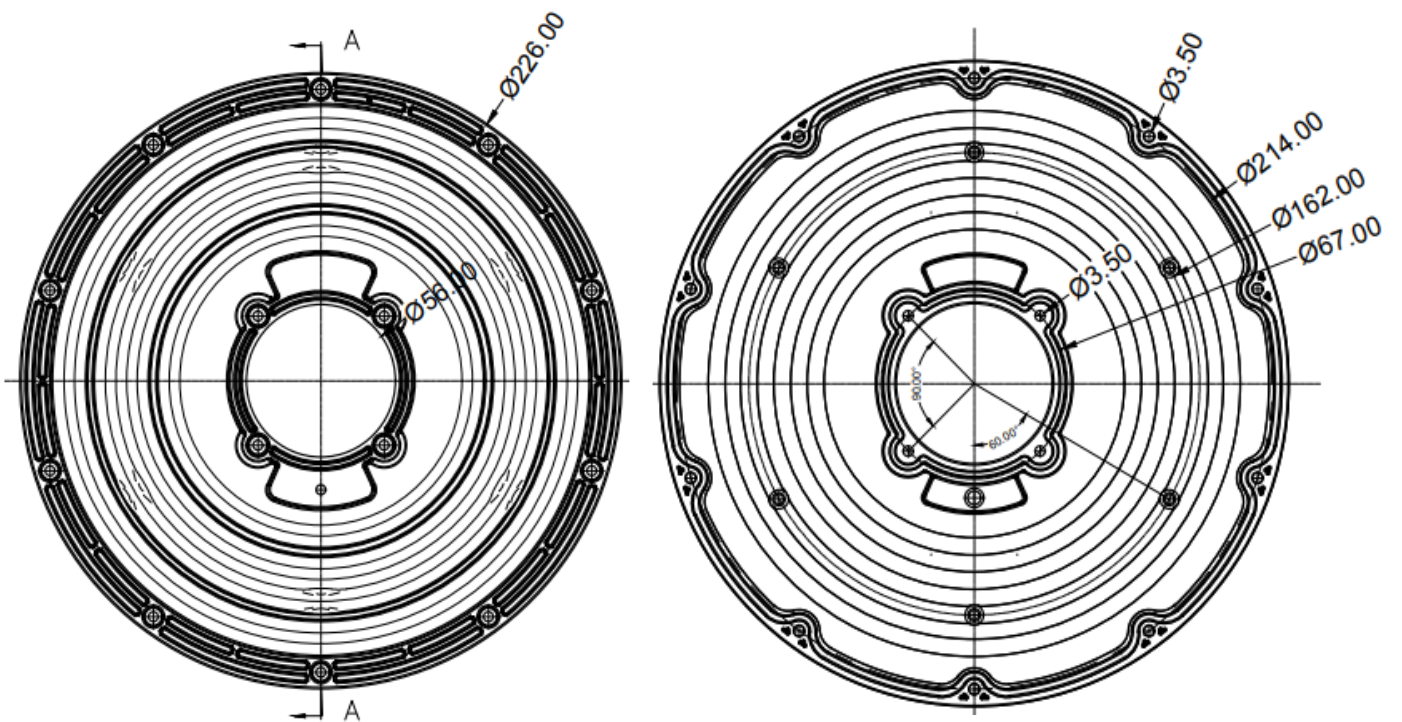


Mechanical Characteristics (产品尺寸):

(KB-HB184-xx-B)



(KB-HB226-xx-B)



Mechanical Characteristics (产品尺寸):

(KB-HB265-xx-B)

