

Product Parameters (产品描述)

产品名称 | Product Name: High Bay Led Lens
出光角度 | Beam Angle: 60/90/120°
产品材料 | Material: PC
工作温度 | Work Temp: <105°C

安装方式 | Fastening: Screw
防水圈 | Silica seal : available
透光率 | Transmittance: 93%
匹配LED | Match Led: SMD3030/2835/5050 Leds

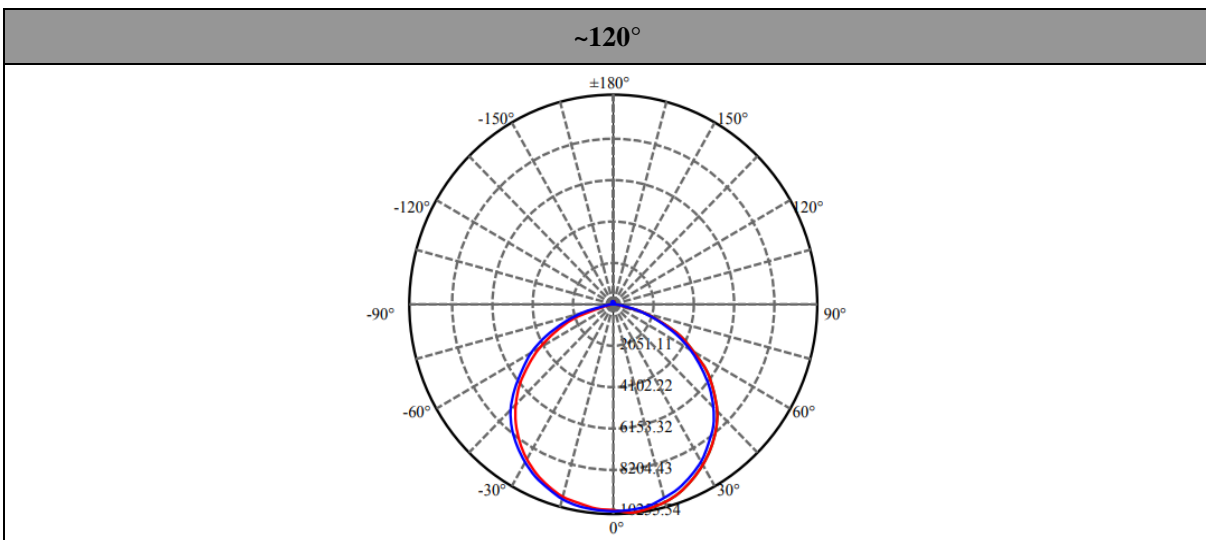
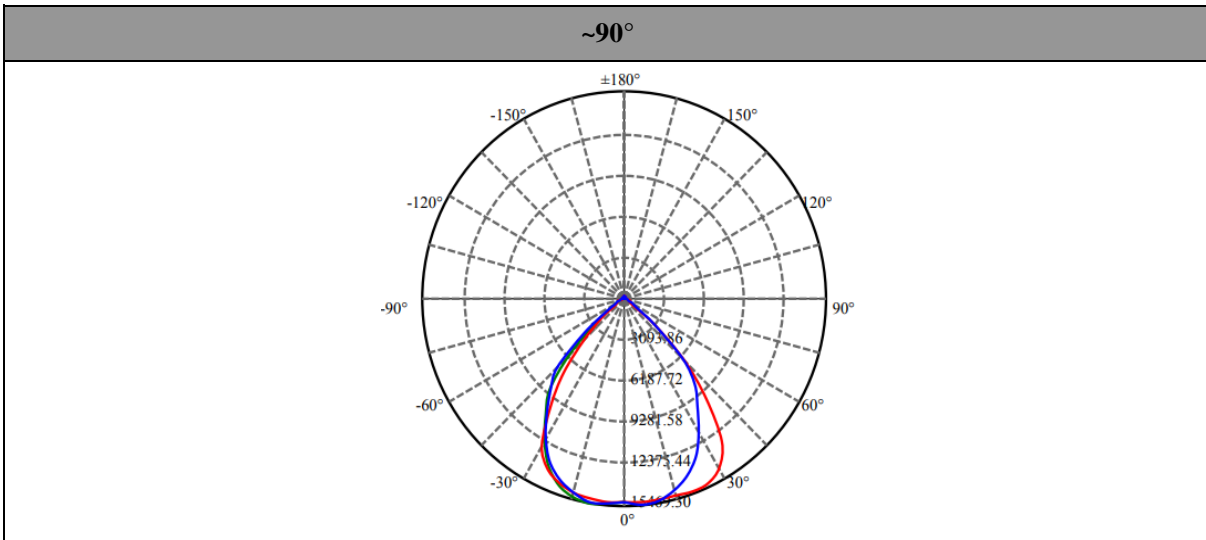
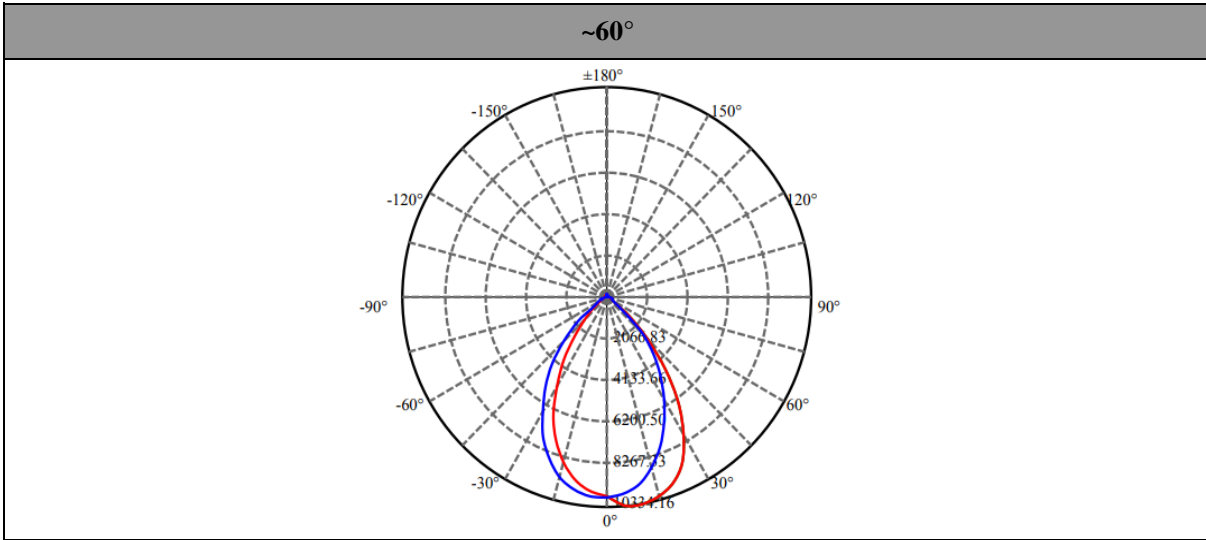
Part Number	Match Led	Dimension	Beam Angle
KB-HB-182-60	3030/2835/5050	Φ182*H10.0mm	~60°
KB-HB-182-90	3030/2835/5050	Φ182*H10.0mm	~90°
KB-HB-182-120	3030/2835/5050	Φ182*H10.0mm	~120°
KB-HB-182-120W	3030/2835/5050	Φ182*H10.0mm	~120°
KB-HB-223-60	3030/2835/5050	Φ223.8*8.26mm	~60°
KB-HB-223-90	3030/2835/5050	Φ223.8*8.26mm	~90°
KB-HB-223-120	3030/2835/5050	Φ223.8*8.26mm	~120°
KB-HB-223-120W	3030/2835/5050	Φ223.8*8.26mm	~120°
KB-HB-262-60	3030/2835/5050	Φ262.5*10.0mm	~60°
KB-HB-262-90	3030/2835/5050	Φ262.5*10.0mm	~90°
KB-HB-262-120	3030/2835/5050	Φ262.5*10.0mm	~120°
KB-HB-262-120W	3030/2835/5050	Φ262.5*10.0mm	~120°

Direction for Use

(透镜 | LENS)

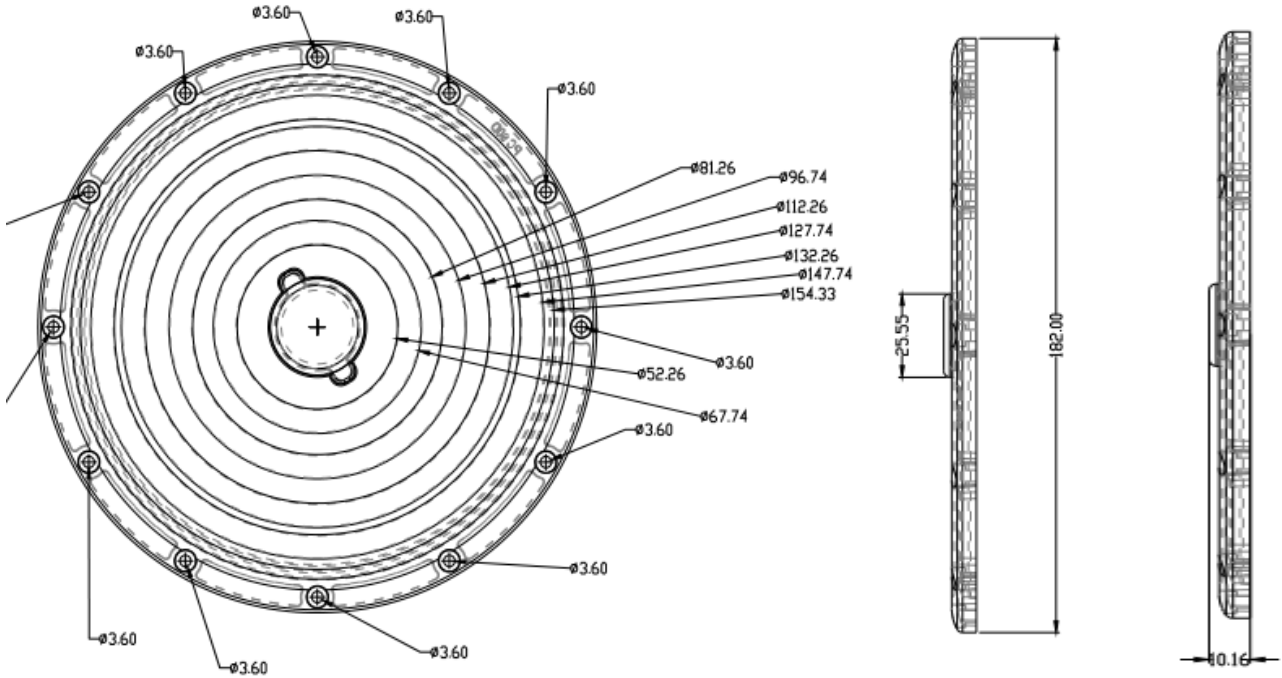
- 1, Please use some soft paper or pure water to clean lens (reflector)
- 2, Don't use any industrial solvent to clean lens surface , such as alcohol
- 3, Storage environment : Temperature 0~40°C , Humidity 30%~95%
- 4, This kind of lens can make the lighting more concentrated, and it's made from transparent material , so please do not open the packages until you use them, in case of the dust and other pollutions.

Light Distribution Curve (配光曲线图):

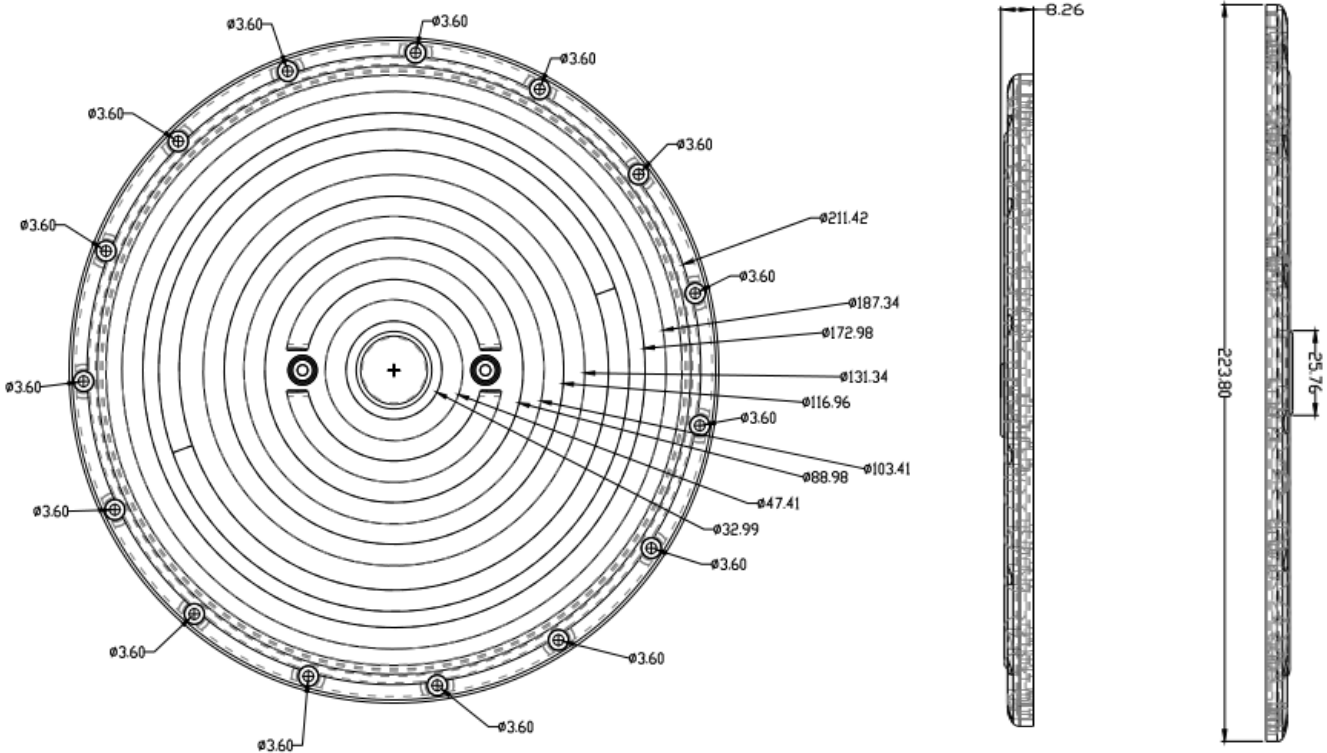


Mechanical Characteristics (产品尺寸):

(KB-HB-182-xx)

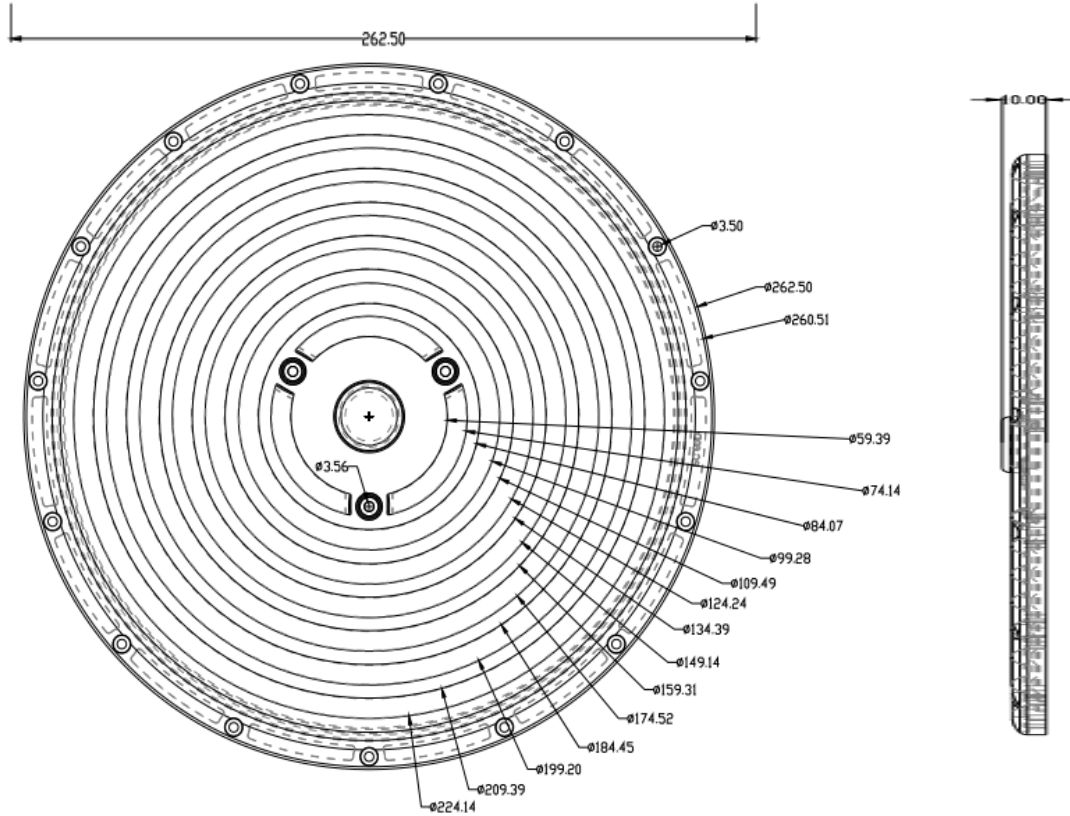


(KB-HB-223-xx)



Mechanical Characteristics (产品尺寸):

(KB-HB-262-xx)



(KB-HB-262-120)

