



Product Parameters (产品描述)

产品编号 | Part Number: KB-6224-xx-H-COB
 出光角度 | Beam Angle: 15/24/36/50°
 产品材料 | Material: PMMA
 工作温度 | Work Temp: <85°C

安装方式 | Fastening: Screw
 支架颜色 | Housing Color: White | Black
 透光率 | Transmittance: 93%
 匹配LED | Match Led: COB Leds

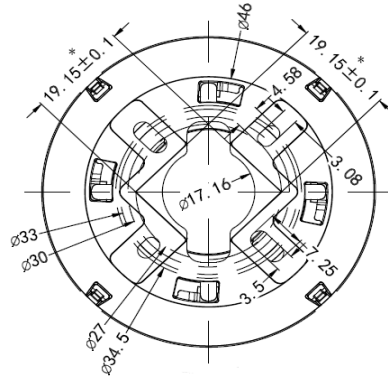
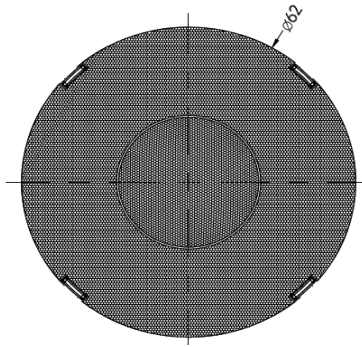
Part Number	Component	Dimension	Beam Angle
KB-6224-15-H-COB	lens	Φ62*H24MM	~15°
	lens+housing+holder	Φ62*H26.57MM	
	+(black cover optional)	Φ111.5*H31.0MM	
KB-6224-24-H-COB	lens	Φ62*H24MM	~24°
	lens+housing+holder	Φ62*H26.57MM	
	+(black cover optional)	Φ111.5*H31.0MM	
KB-6224-36-H-COB	lens	Φ62*H24MM	~36°
	lens+housing+holder	Φ62*H26.57MM	
	+(black cover optional)	Φ111.5*H31.0MM	
KB-6224-50-H-COB	lens	Φ62*H24MM	~50°
	lens+housing+holder	Φ62*H26.57MM	
	+(black cover optional)	Φ111.5*H31.0MM	

Direction for Use

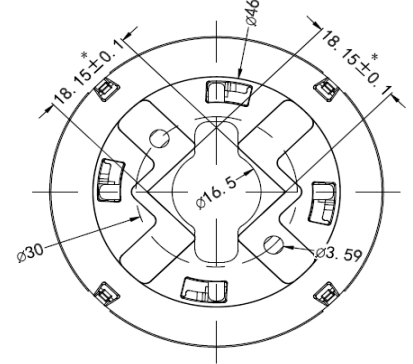
(透镜 | LENS)

- 1, Please use some soft paper or pure water to clean lens (reflector)
- 2, Don't use any industrial solvent to clean lens surface , such as alcohol
- 3, Storage environment : Temperature 0~40°C , Humidity 30%~95%
- 4, This kind of lens can make the lighting more concentrated, and it's made from transparent material , so please do not open the packages until you use them, in case of the dust and other pollutions.

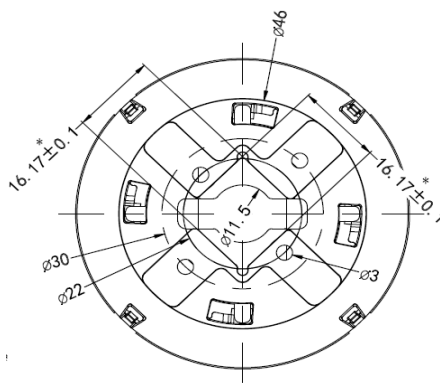
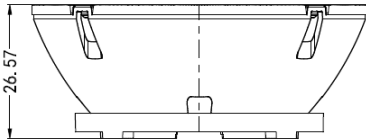
Mechanical Characteristics (产品尺寸):



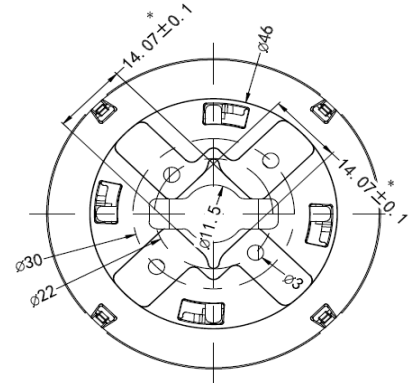
17-1 Holder



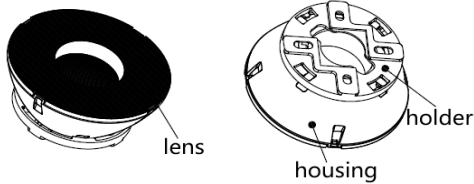
14-1 Holder



11-1 Holder

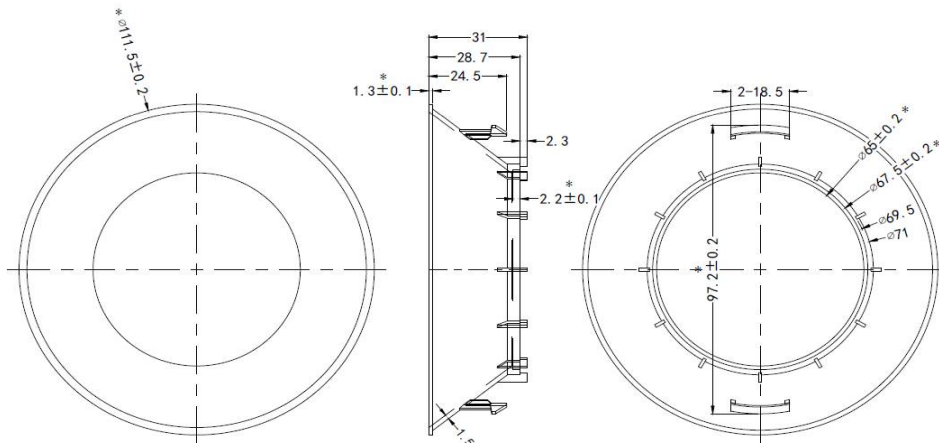


9-1 Holder



lens

housing



-Black Cover