



Product Parameters (产品描述)

产品编号 Part Number:	KB-7532-xx-H-COB	安装方式 Fastening:	Screw
出光角度 Beam Angle:	15/24/36/50°	支架颜色 Housing Color:	White Black
产品材料 Material:	PMMA	透光率 Transmittance:	93%
工作温度 Work Temp:	<85°C	匹配LED Match Led:	COB Leds

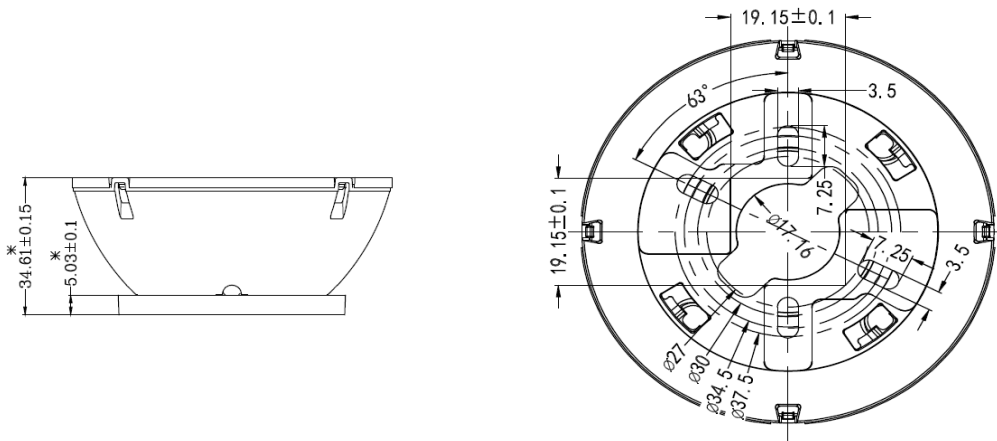
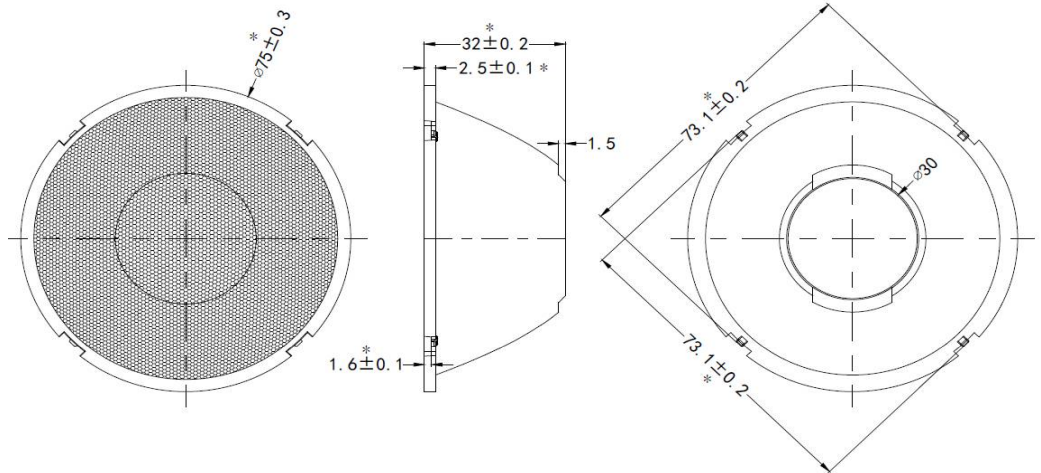
Part Number	Component	Dimension	Beam Angle
KB-7532-15-H-COB	lens	Φ75*H32MM	~15°
	lens+housing+holder	Φ75*H34.6MM	
KB-7532-24-H-COB	lens	Φ75*H32MM	~24°
	lens+housing+holder	Φ75*H34.6MM	
KB-7532-36-H-COB	lens	Φ75*H32MM	~36°
	lens+housing+holder	Φ75*H34.6MM	
KB-7532-50-H-COB	lens	Φ75*H32MM	~50°
	lens+housing+holder	Φ75*H34.6MM	

Direction for Use

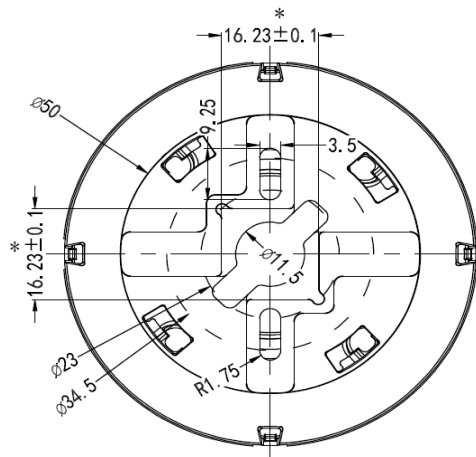
(透镜 | LENS)

- 1, Please use some soft paper or pure water to clean lens (reflector)
- 2, Don't use any industrial solvent to clean lens surface , such as alcohol
- 3, Storage environment : Temperature 0~40°C , Humidity 30%~95%
- 4, This kind of lens can make the lighting more concentrated, and it's made from transparent material , so please do not open the packages until you use them, in case of the dust and other pollutions.

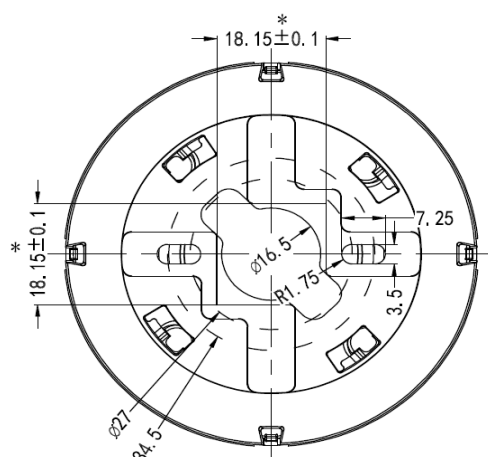
Mechanical Characteristics (产品尺寸):



17# Holder



11-2# Holder



14# Holder