



Product Parameters (产品描述)

产品编号 | Part Number: KB-A15-xx-5050
出光角度 | Beam Angle: 20/30/45/60/90°
产品材料 | Material: PMMA
工作温度 | Work Temp: <85°C

安装方式 | Fastening: Glue
支架颜色 | Holder Color: N/A
透光率 | Transmittance: 93%
匹配LED | Match Led: SMD5050

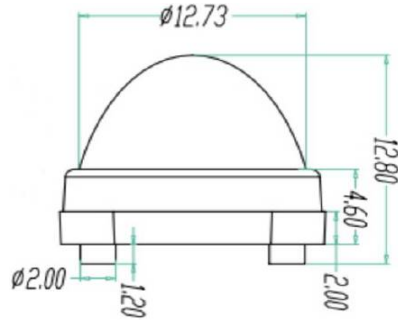
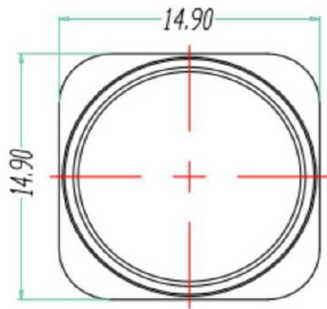
Part Number	Lens Surface	Dimension	Beam Angle
KB-A15-20-5050	珠面/beads	L14.9*W14.9mm	~20°
KB-A15-30-5050	珠面/beads	L14.9*W14.9mm	~30°
KB-A15-45-5050	珠面/beads	L14.9*W14.9mm	~45°
KB-A15-60-5050	珠面/beads	L14.9*W14.9mm	~60°
KB-A15-90-5050	珠面/beads	L14.9*W14.9mm	~90°

Direction for Use

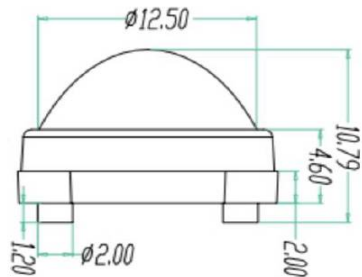
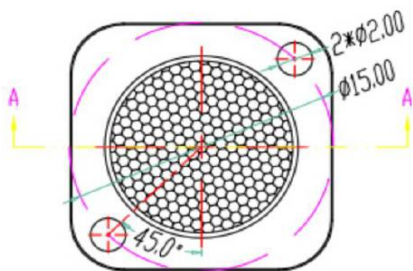
(透镜 | LENS)

- 1, Please use some soft paper or pure water to clean lens (reflector)
- 2, Don't use any industrial solvent to clean lens surface , such as alcohol
- 3, Storage environment : Temperature 0~40°C , Humidity 30%~95%
- 4, This kind of lens can make the lighting more concentrated, and it's made from transparent material , so please do not open the packages until you use them, in case of the dust and other pollutions.

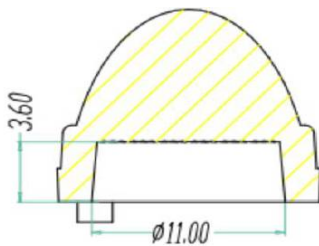
Mechanical Characteristics (产品尺寸):



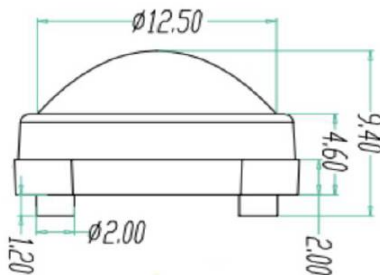
20°



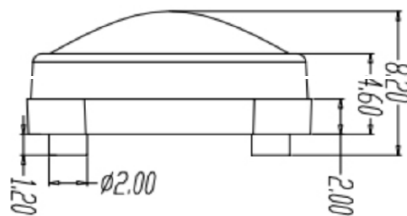
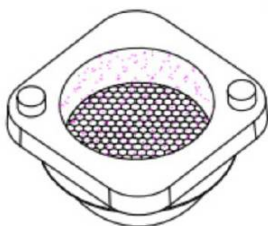
30°



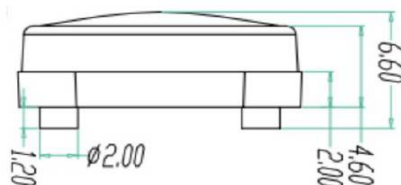
SECTION A-A



45°



60°



90°