



Product Parameters (产品描述)

产品编号 | Part Number: KB-MNxx-160-3030
出光角度 | Beam Angle: 160°
产品材料 | Material: PMMA
工作温度 | Work Temp: <85°C

安装方式 | Fastening: Pins+glue
防水圈 | Silica seal : N/A
透光率 | Transmittance: 93%
匹配LED | Match Led: SMD3030/2835/3535

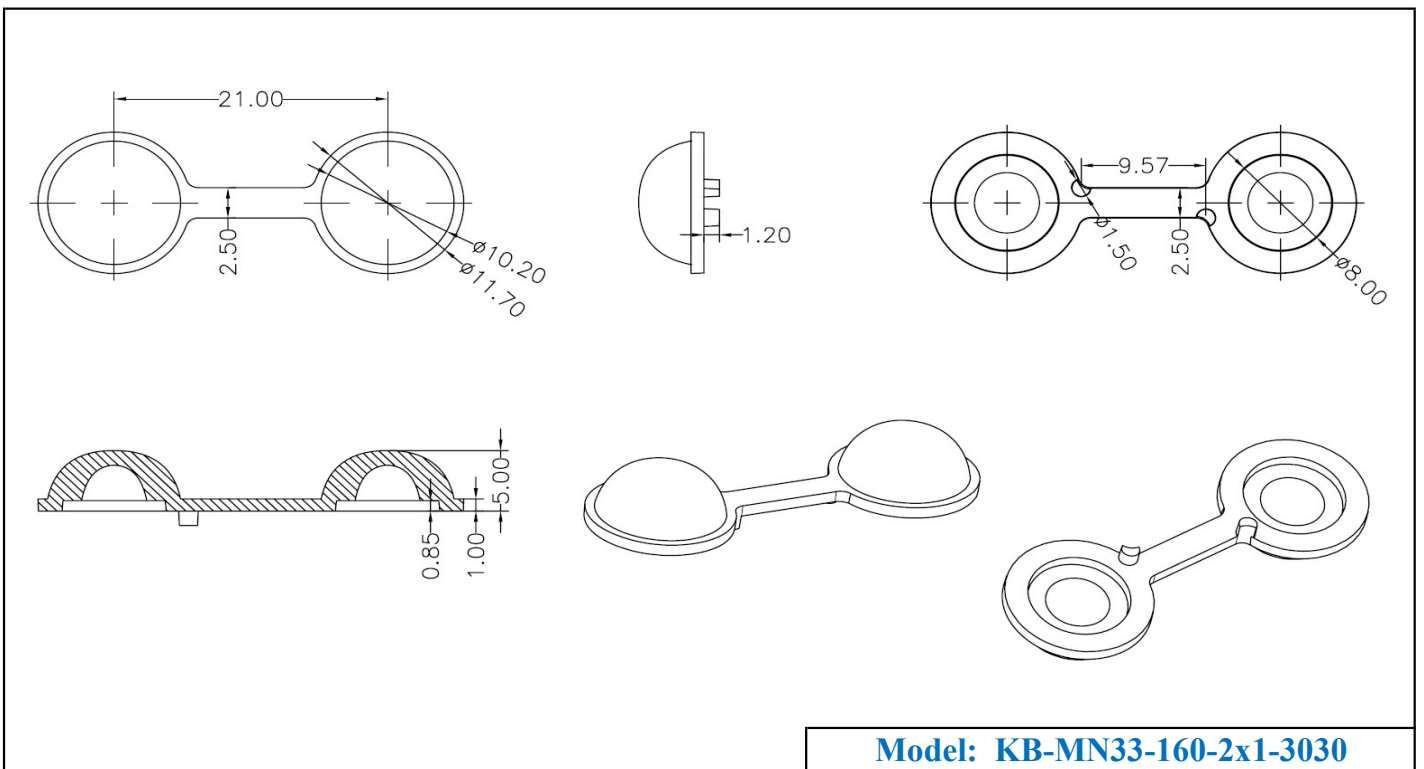
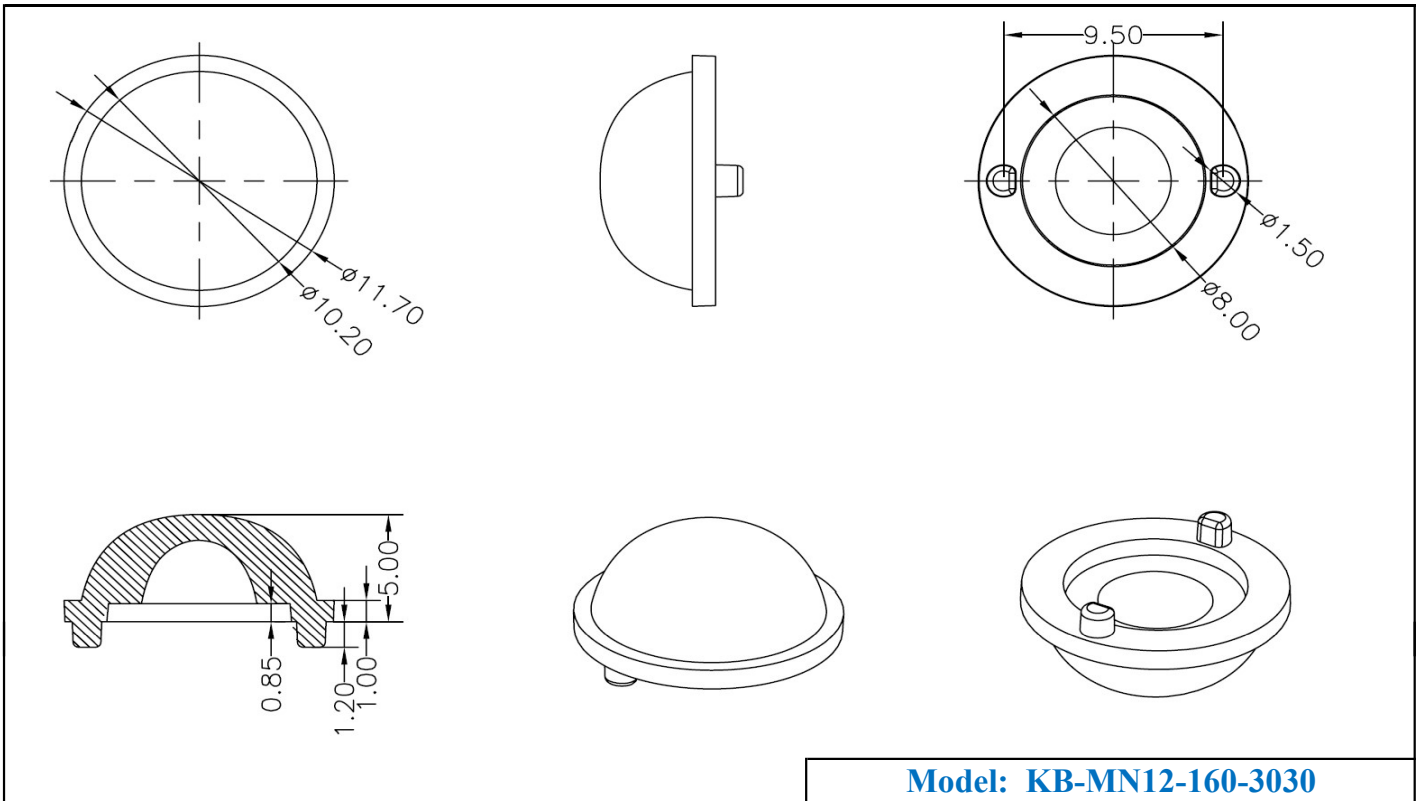
Part Number	Lens Surface	Dimension	Beam Angle
KB-MN12-160-3030	雾面/matt	φ11.7*H5MM	~160°
KB-MN33-160-2x1-3030	雾面/matt	L32.5*W11.7*H5MM	~160°
KB-MN53-160-3x1-3030	雾面/matt	L53.4*W11.7*H5MM	~160°
KB-MN53B-160-3x1-3030	雾面/matt	L53.7*W11.7*H5MM	~160°

Direction for Use

(透镜 | LENS)

- 1, Please use some soft paper or pure water to clean lens (reflector)
- 2, Don't use any industrial solvent to clean lens surface , such as alcohol
- 3, Storage environment : Temperature 0~40°C , Humidity 30%~95%
- 4, This kind of lens can make the lighting more concentrated, and it's made from transparent material , so please do not open the packages until you use them, in case of the dust and other pollutions.

Mechanical Characteristics (产品尺寸):



Mechanical Characteristics (产品尺寸):

