

### Product Parameters (产品描述)

产品编号 | Part Number: KB-MXxx-160-5050  
出光角度 | Beam Angle: 160°  
产品材料 | Material: PMMA  
工作温度 | Work Temp: <85°C

安装方式 | Fastening: Pins+glue  
防水圈 | Silica seal : N/A  
透光率 | Transmittance: 93%  
匹配LED | Match Led: SMD5050

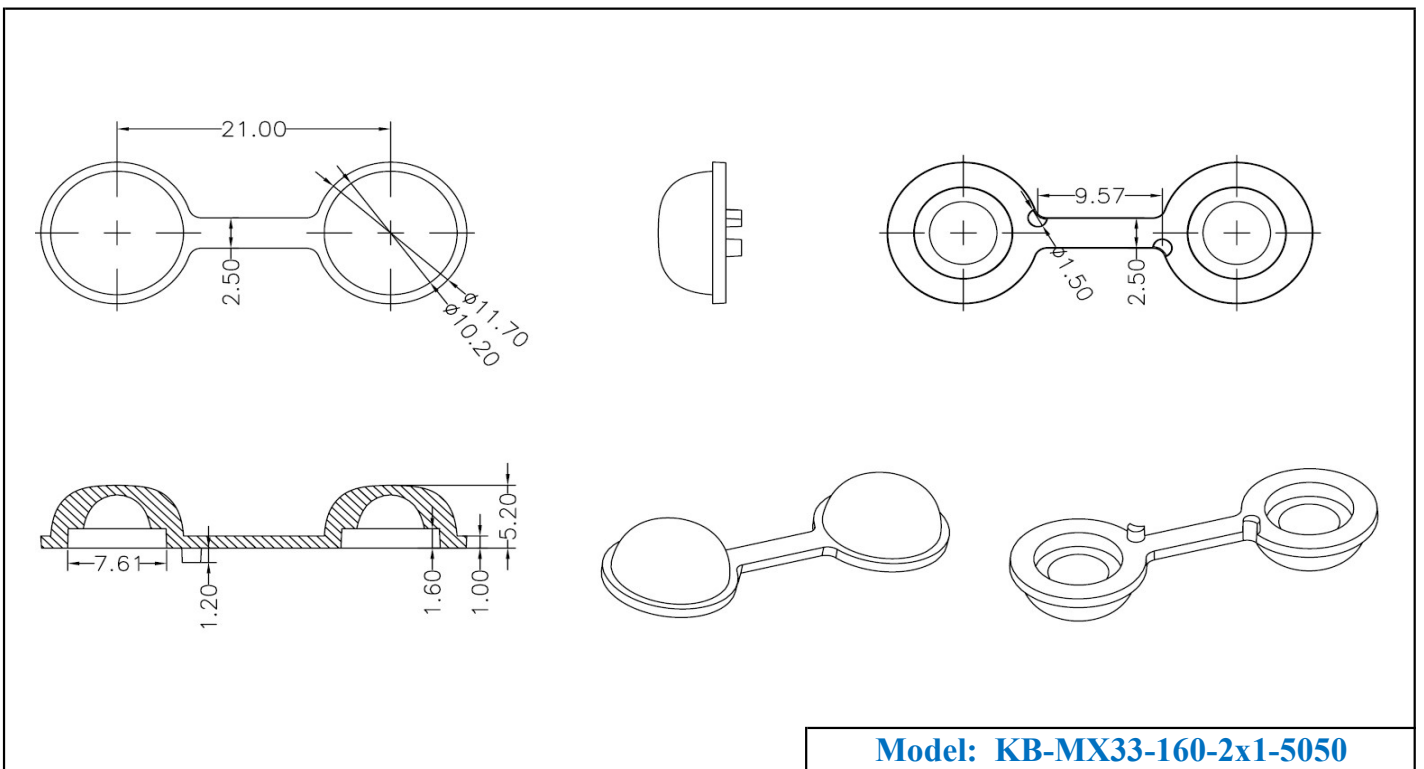
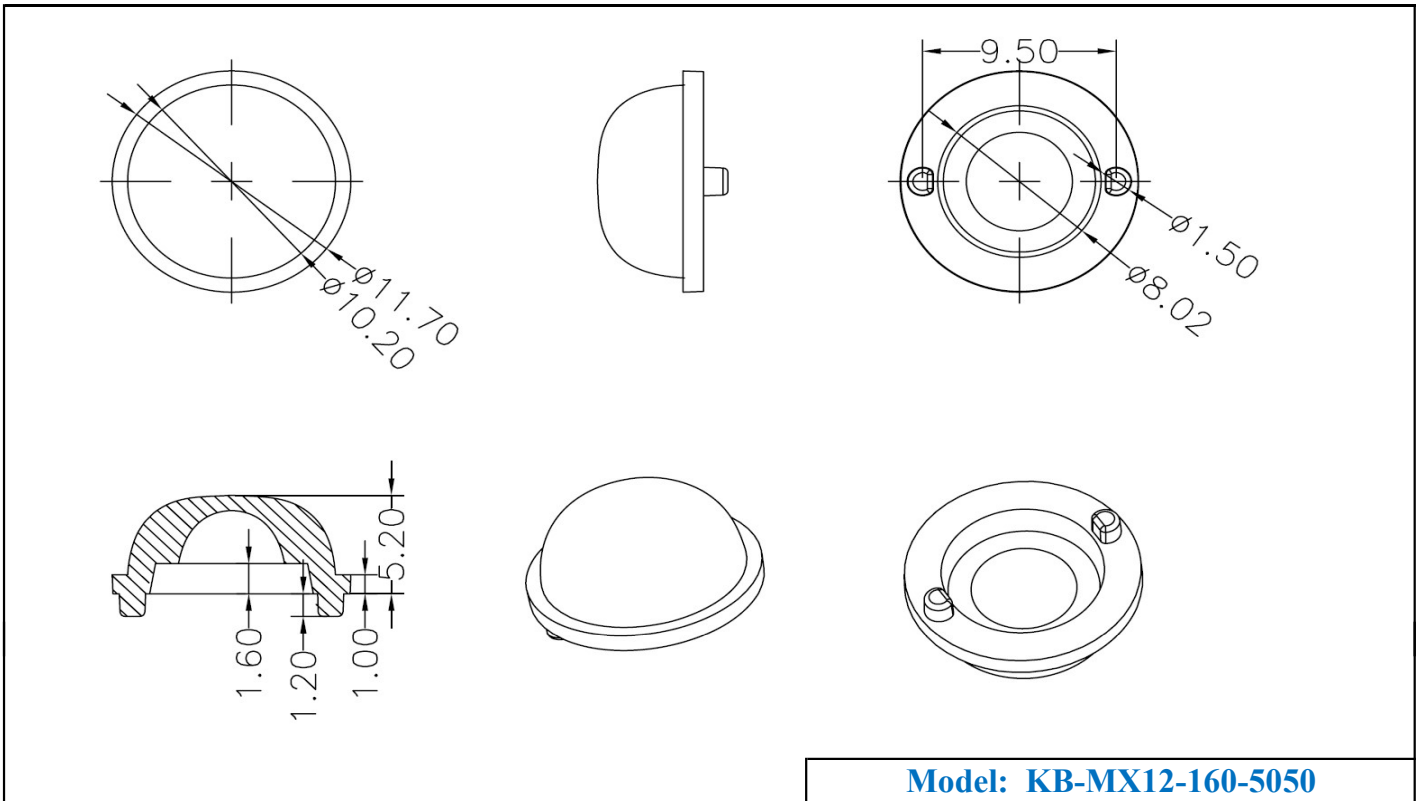
Part Number	Lens Surface	Dimension	Beam Angle
KB-MX12-160-5050	雾面/matt	φ11.7*H5.2MM	~160°
KB-MX33-160-2x1-5050	雾面/matt	L32.5*W11.7*H5.2MM	~160°
KB-MX53-160-3x1-5050	雾面/matt	L53.4*W11.7*H5.2MM	~160°

### Direction for Use

#### (透镜 | LENS)

- 1, Please use some soft paper or pure water to clean lens ( reflector)
- 2, Don't use any industrial solvent to clean lens surface , such as alcohol
- 3, Storage environment : Temperature 0~40°C , Humidity 30%~95%
- 4, This kind of lens can make the lighting more concentrated, and it's made from transparent material , so please do not open the packages until you use them, in case of the dust and other pollutions.

**Mechanical Characteristics (产品尺寸):**



Mechanical Characteristics (产品尺寸):

