

Product Picture (产品图片) :



**Product Parameters (产品描述) :**

- \* 品名/Product Name: Led Lens
- \* 产品型号/Product Number : KB-Z22-6-XP  
KB-Z22-6-OSN  
KB-Z22-6-GD
- \* 尺寸/Product Size : L21.6\* W21.6 \*H12.9mm(Holder)
- \* 角度/Beam Angle : 6 degree
- \* 材质/Material : Lens-PMMA  
Holder-PC
- \* 面型/Surface: Transparent/镜面
- \* 公差/Tolerance:  $\pm 0.1\text{mm}$
- \* 工作温度/Operating Temperature :  $-40 \sim 90^{\circ}\text{C}$
- \* 光效/Lens Light Efficiency : 90%
- \* 组装/Assembly : Glue|Tape|Screw
- \* 匹配光源/Match Led : Cree Xlamp XPC | XPE|XPG|MX-6  
OSRAM- OSLON  
OSRAM-Golden Dragon
- \* Direction for use
  - 1, Please use some soft paper or pure water to clean lens ( reflector)
  - 2, Don't use any industrial solvent to clean lens surface , such as alcohol
  - 3, Storage environment : Temperature  $0\sim 40^{\circ}\text{C}$  , Humidity 30%~95%
  - 4, This kind of lens can make the lighting more concentrated, and it's made from transparent material , so please do not open the packages until you use them, in case of the dust and other pollutions.



**Product Package (产品包装) :**



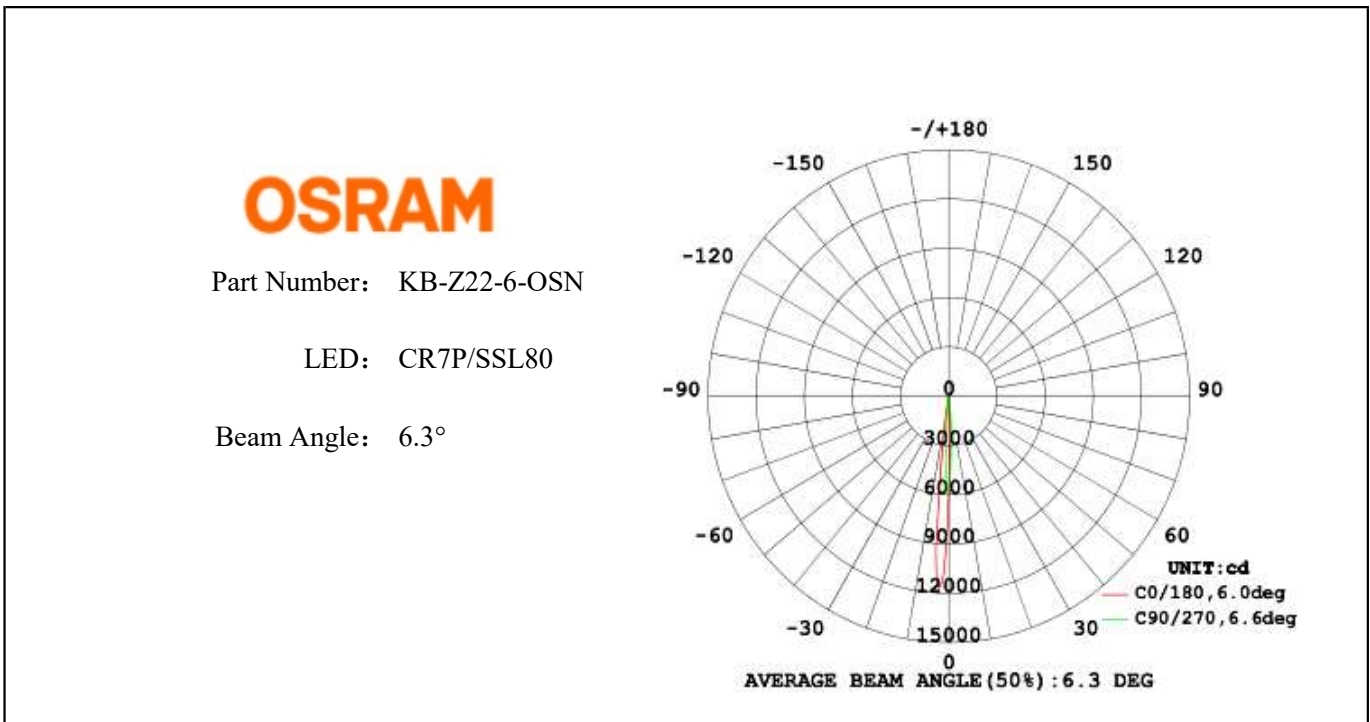
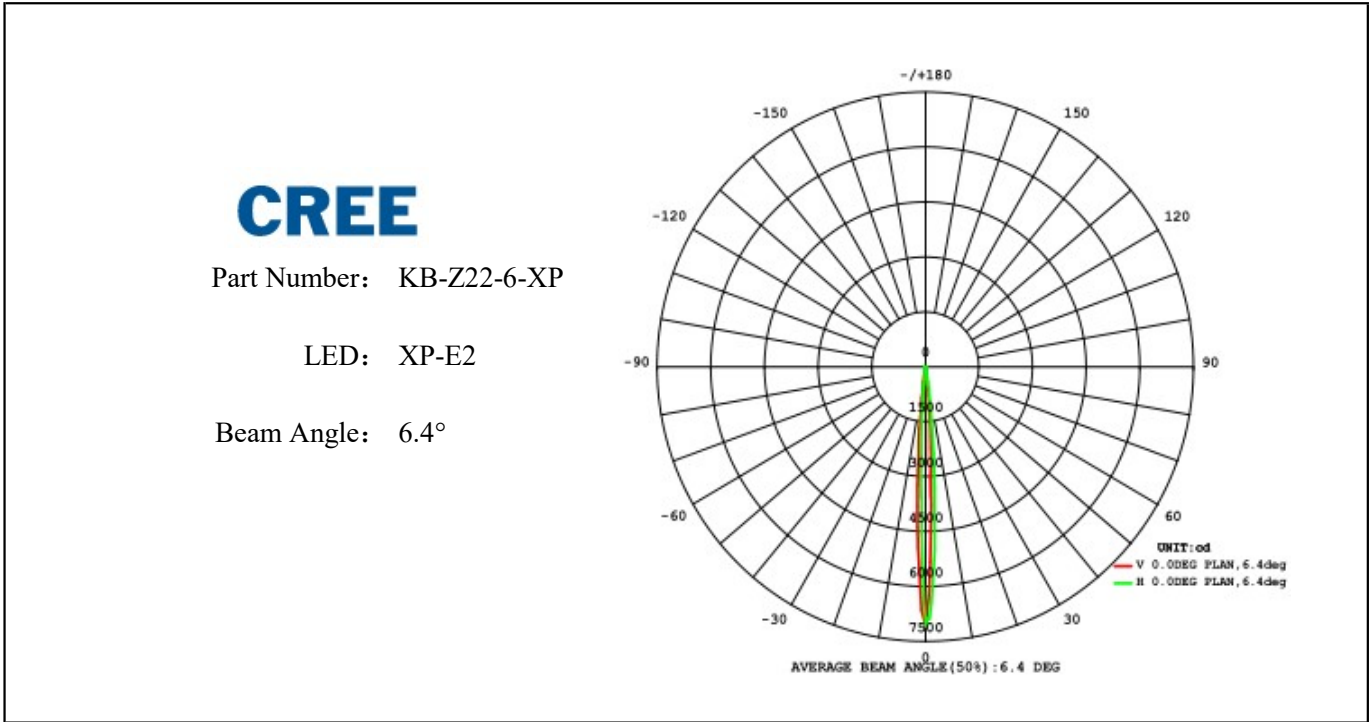
**Lens with holder**

320pcs/box  
12boxes/carton  
G.W/Ctn: 20KG  
Ctn Size: 62.5\*29\*26cm

**Lens with holder and Tape**

3840sets/box  
12boxes/carton  
G.W/Ctn: 20KG  
Ctn Size: 62.5\*29\*26cm

**Optical Characteristics (光学测试报告) :**



**Product Parameters (产品描述) :**

- \* 品名/Product Name: Led Lens
- \* 产品型号/Product Number : KB-Z22-10P-XP  
KB-Z22-10P-OSN  
KB-Z22-10P-GD
- \* 尺寸/Product Size : L21.6\* W21.6 \*H12.9mm(Holder)
- \* 角度/Beam Angle : 10 degree
- \* 材质/Material : Lens-PMMA  
Holder-PC
- \* 面型/Surface: Beads/珠面
- \* 公差/Tolerance:  $\pm 0.1\text{mm}$
- \* 工作温度/Operating Temperature :  $-40 \sim 90^{\circ}\text{C}$
- \* 光效/Lens Light Efficiency : 88%
- \* 组装/Assembly : Glue|Tape|Screw
- \* 匹配光源/Match Led : Cree Xlamp XPC | XPE|XPG|MX-6  
OSRAM- OSLON  
OSRAM-Golden Dragon



- \* Direction for use
  - 1, Please use some soft paper or pure water to clean lens ( reflector)
  - 2, Don't use any industrial solvent to clean lens surface , such as alcohol
  - 3, Storage environment : Temperature  $0\sim 40^{\circ}\text{C}$  , Humidity 30%~95%
  - 4, This kind of lens can make the lighting more concentrated, and it's made from transparent material , so please do not open the packages until you use them, in case of the dust and other pollutions.

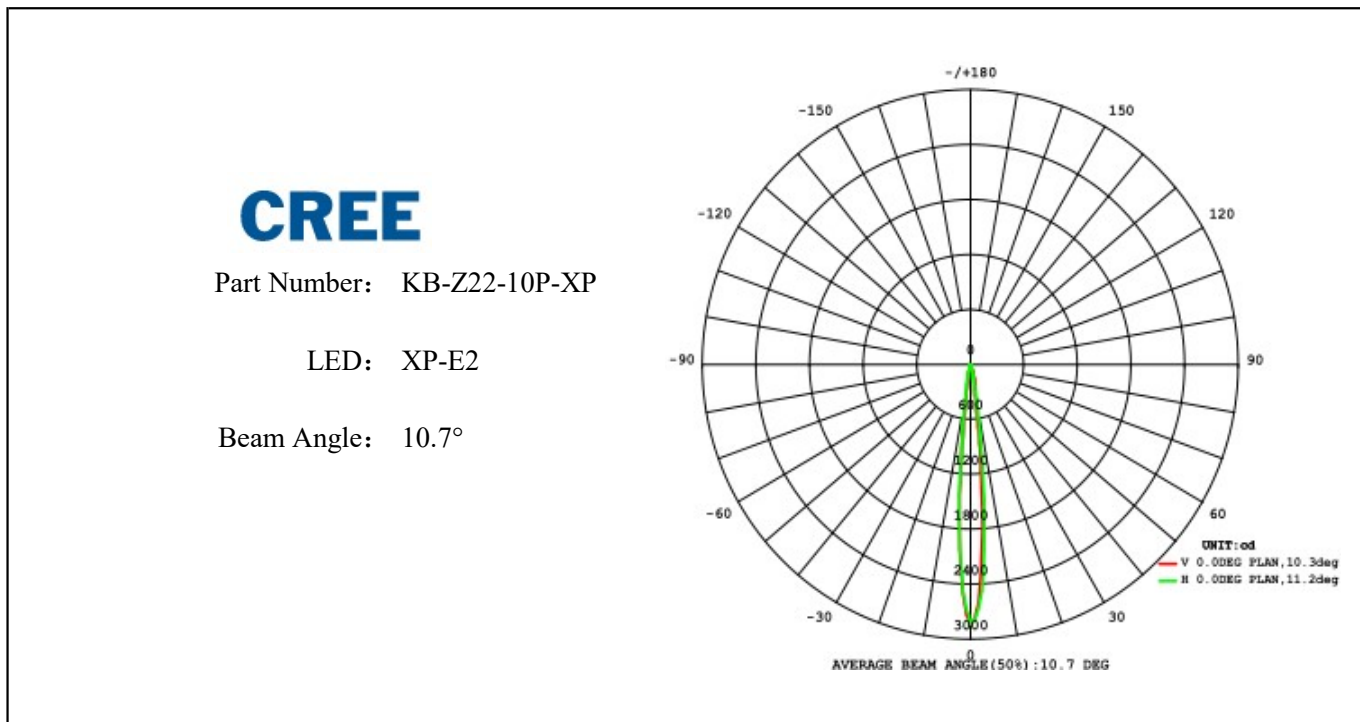
**Product Package (产品包装) :****Lens with holder**

320pcs/box  
12boxes/carton  
G.W/Ctn: 20KG  
Ctn Size: 62.5\*29\*26cm

**Lens with holder and Tape**

3840sets/box  
12boxes/carton  
G.W/Ctn: 20KG  
Ctn Size: 62.5\*29\*26cm

Optical Characteristics (光学测试报告):





**Product Parameters (产品描述) :**

- \* 品名/Product Name: Led Lens
- \* 产品型号/Product Number : KB-Z22-12M-XP  
KB-Z22-12M-OSN  
KB-Z22-12M-GD
- \* 尺寸/Product Size : L21.6\* W21.6 \*H12.9mm(Holder)
- \* 角度/Beam Angle : 12 degree
- \* 材质/Material : Lens-PMMA  
Holder-PC
- \* 面型/Surface: Matt/磨砂
- \* 公差/Tolerance:  $\pm 0.1\text{mm}$
- \* 工作温度/Operating Temperature :  $-40 \sim 90^{\circ}\text{C}$
- \* 光效/Lens Light Efficiency : 88%
- \* 组装/Assembly : Glue|Tape|Screw
- \* 匹配光源/Match Led : Cree Xlamp XPC | XPE|XPG|MX-6  
OSRAM- OSLON  
OSRAM-Golden Dragon
- \* Direction for use
  - 1, Please use some soft paper or pure water to clean lens ( reflector)
  - 2, Don't use any industrial solvent to clean lens surface , such as alcohol
  - 3, Storage environment : Temperature  $0\sim 40^{\circ}\text{C}$  , Humidity 30%~95%
  - 4, This kind of lens can make the lighting more concentrated, and it's made from transparent material , so please do not open the packages until you use them, in case of the dust and other pollutions.



**Product Package (产品包装) :**



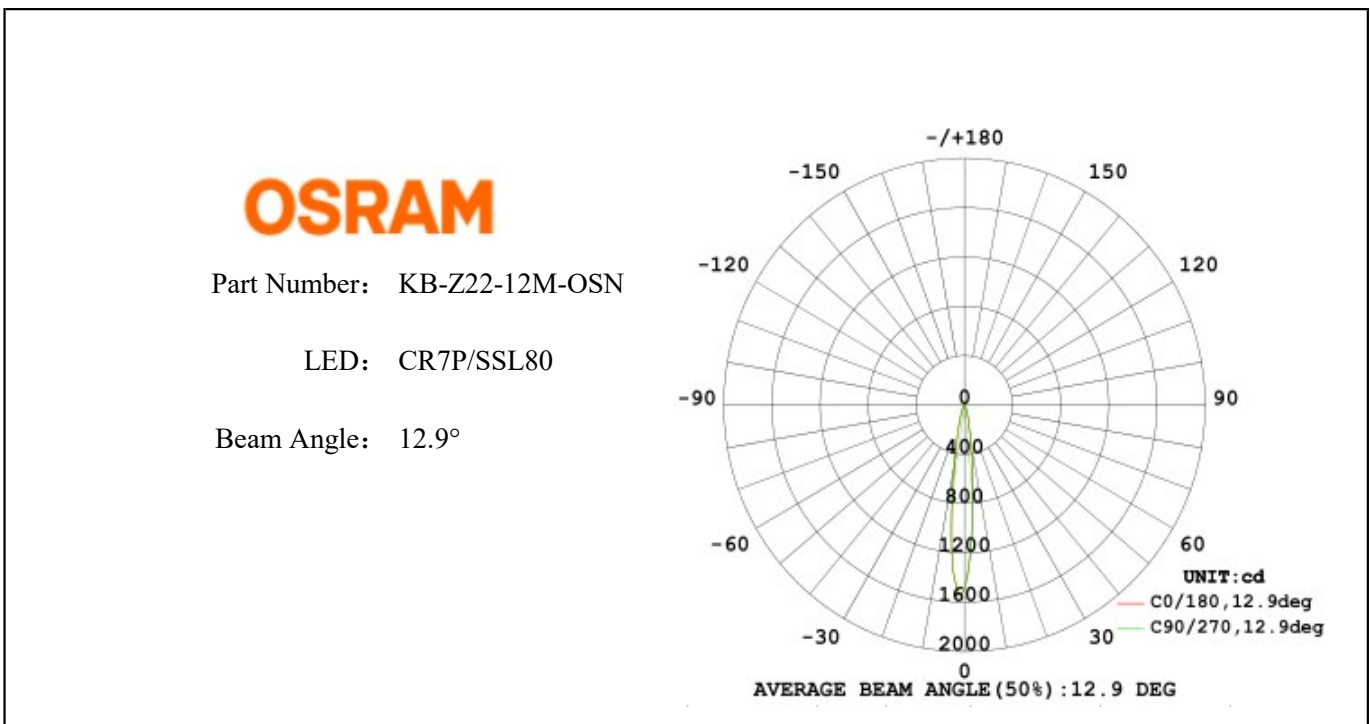
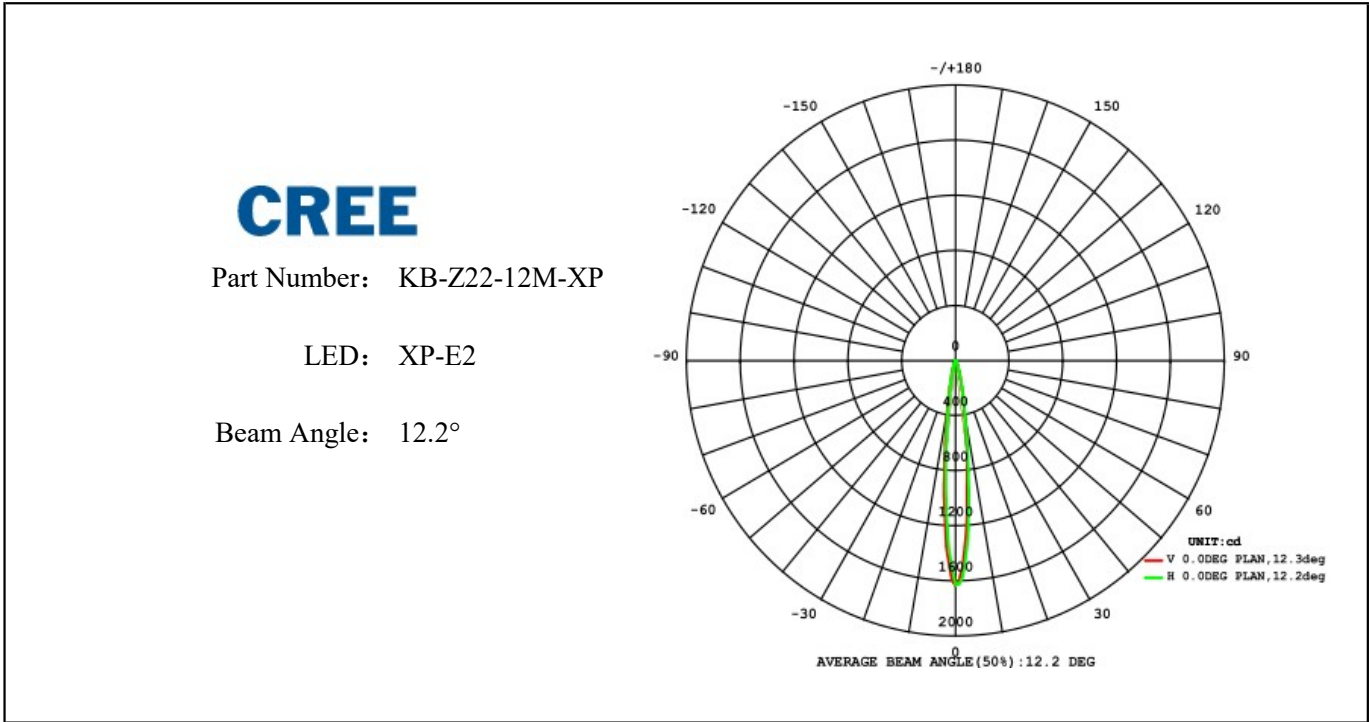
**Lens with holder**

320pcs/box  
12boxes/carton  
G.W/Ctn: 20KG  
Ctn Size: 62.5\*29\*26cm

**Lens with holder and Tape**

3840sets/box  
12boxes/carton  
G.W/Ctn: 20KG  
Ctn Size: 62.5\*29\*26cm

**Optical Characteristics (光学测试报告) :**



**Product Parameters (产品描述) :**

- \* 品名/Product Name: Led Lens
- \* 产品型号/Product Number : KB-Z22-25M-XP  
KB-Z22-25M-OSN  
KB-Z22-25M-GD
- \* 尺寸/Product Size : L21.6\* W21.6 \*H12.9mm(Holder)
- \* 角度/Beam Angle : 25 degree
- \* 材质/Material : Lens-PMMA  
Holder-PC
- \* 面型/Surface: Matt/磨砂
- \* 公差/Tolerance:  $\pm 0.1\text{mm}$
- \* 工作温度/Operating Temperature :  $-40 \sim 90^{\circ}\text{C}$
- \* 光效/Lens Light Efficiency : 88%
- \* 组装/Assembly : Glue|Tape|Screw
- \* 匹配光源/Match Led : Cree Xlamp XPC | XPE|XPG|MX-6  
OSRAM- OSLON  
OSRAM-Golden Dragon
- \* Direction for use
  - 1, Please use some soft paper or pure water to clean lens ( reflector)
  - 2, Don't use any industrial solvent to clean lens surface , such as alcohol
  - 3, Storage environment : Temperature  $0\sim 40^{\circ}\text{C}$  , Humidity 30%~95%
  - 4, This kind of lens can make the lighting more concentrated, and it's made from transparent material , so please do not open the packages until you use them, in case of the dust and other pollutions.

**Product Package (产品包装) :****Lens with holder**

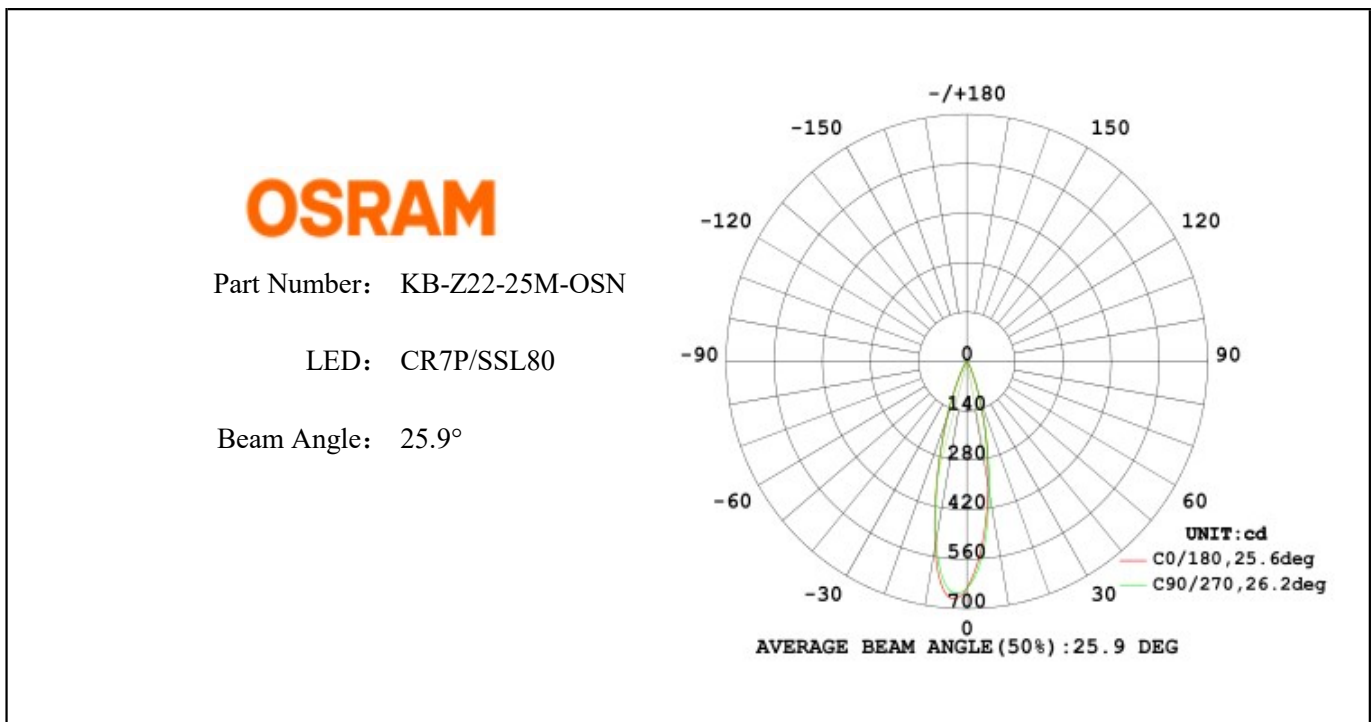
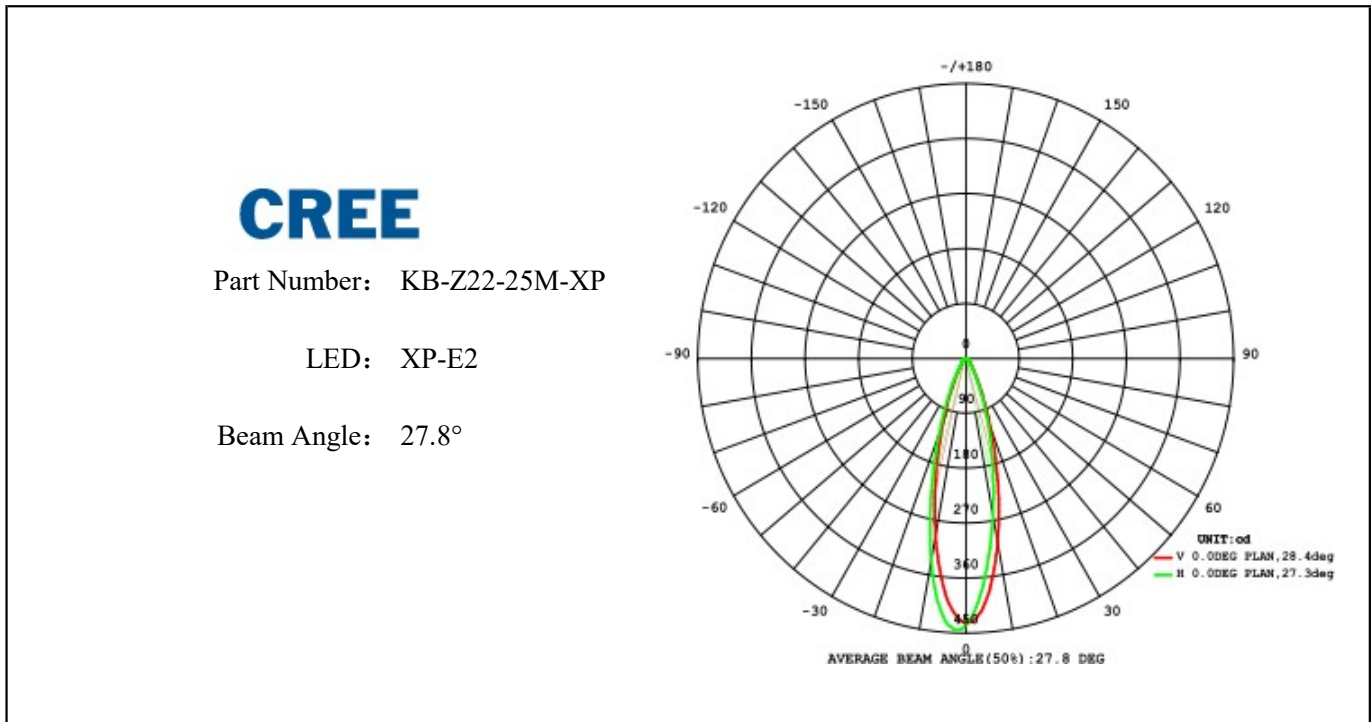
320pcs/box  
12boxes/carton  
G.W/Ctn: 20KG  
Ctn Size: 62.5\*29\*26cm

**Lens with holder and Tape**

3840sets/box  
12boxes/carton  
G.W/Ctn: 20KG  
Ctn Size: 62.5\*29\*26cm



**Optical Characteristics (光学测试报告) :**



**Product Parameters (产品描述) :**

- \* 品名/Product Name: Led Lens
- \* 产品型号/Product Number : KB-Z22-45P-XP  
KB-Z22-45P-OSN  
KB-Z22-45P-GD
- \* 尺寸/Product Size : L21.6\* W21.6 \*H12.9mm(Holder)
- \* 角度/Beam Angle : 45 degree
- \* 材质/Material : Lens-PMMA  
Holder-PC
- \* 面型/Surface: Beads/珠面
- \* 公差/Tolerance:  $\pm 0.1\text{mm}$
- \* 工作温度/Operating Temperature :  $-40 \sim 90^{\circ}\text{C}$
- \* 光效/Lens Light Efficiency : 88%
- \* 组装/Assembly : Glue|Tape|Screw
- \* 匹配光源/Match Led : Cree Xlamp XPC | XPE|XPG|MX-6  
OSRAM- OSLON  
OSRAM-Golden Dragon
- \* Direction for use
  - 1, Please use some soft paper or pure water to clean lens ( reflector)
  - 2, Don't use any industrial solvent to clean lens surface , such as alcohol
  - 3, Storage environment : Temperature  $0\sim 40^{\circ}\text{C}$  , Humidity 30%~95%
  - 4, This kind of lens can make the lighting more concentrated, and it's made from transparent material , so please do not open the packages until you use them, in case of the dust and other pollutions.



**Product Package (产品包装) :**



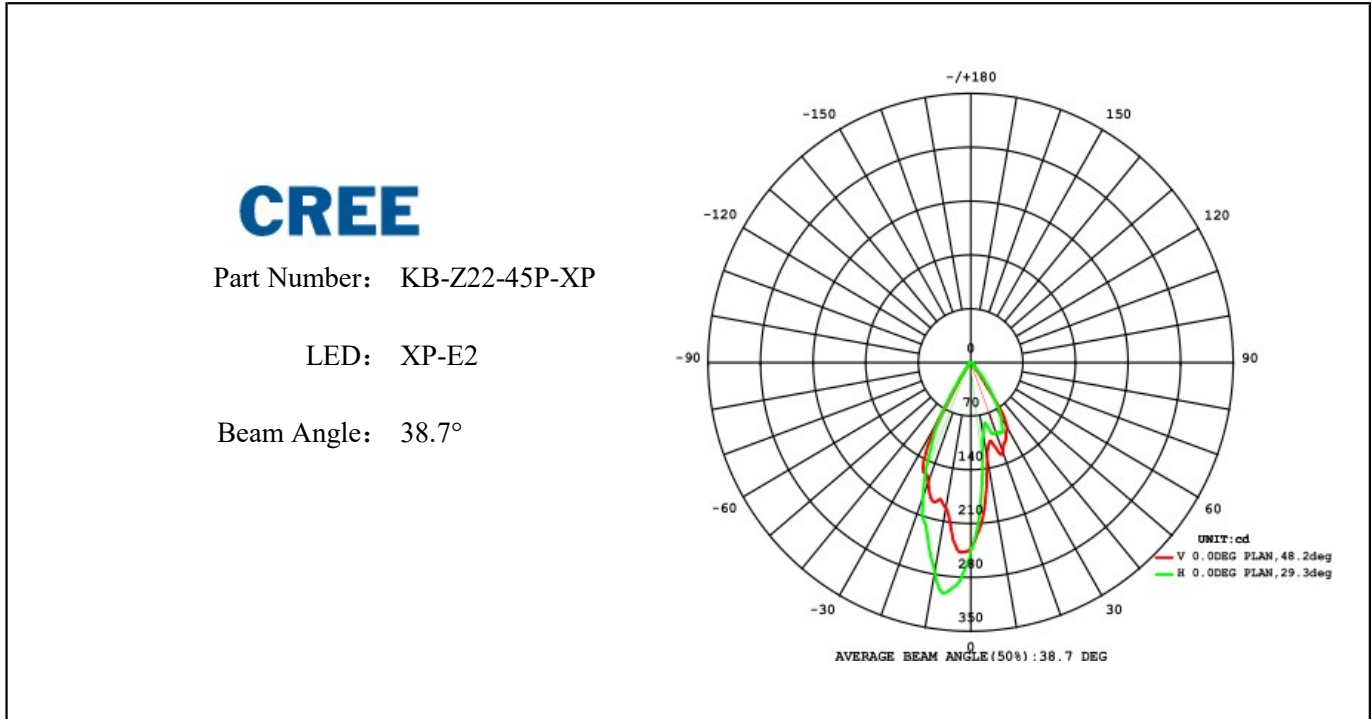
**Lens with holder**

320pcs/box  
12boxes/carton  
G.W/Ctn: 20KG  
Ctn Size: 62.5\*29\*26cm

**Lens with holder and Tape**

3840sets/box  
12boxes/carton  
G.W/Ctn: 20KG  
Ctn Size: 62.5\*29\*26cm

**Optical Characteristics (光学测试报告) :**



**Product Parameters (产品描述) :**

- \* 品名/Product Name: Led Lens
- \* 产品型号/Product Number : KB-Z22-1060-XP  
KB-Z22-1060-OSN  
KB-Z22-1060-GD
- \* 尺寸/Product Size : L21.6\* W21.6 \*H12.9mm(Holder)
- \* 角度/Beam Angle : 10\*60 degree
- \* 材质/Material : Lens-PMMA  
Holder-PC
- \* 面型/Surface: Ellipse/条纹
- \* 公差/Tolerance:  $\pm 0.1\text{mm}$
- \* 工作温度/Operating Temperature :  $-40 \sim 90^{\circ}\text{C}$
- \* 光效/Lens Light Efficiency : 88%
- \* 组装/Assembly : Glue|Tape|Screw
- \* 匹配光源/Match Led : Cree Xlamp XPC | XPE|XPG|MX-6  
OSRAM- OSLON  
OSRAM-Golden Dragon
- \* Direction for use
  - 1, Please use some soft paper or pure water to clean lens ( reflector)
  - 2, Don't use any industrial solvent to clean lens surface , such as alcohol
  - 3, Storage environment : Temperature  $0\sim 40^{\circ}\text{C}$  , Humidity 30%~95%
  - 4, This kind of lens can make the lighting more concentrated, and it's made from transparent material , so please do not open the packages until you use them, in case of the dust and other pollutions.



**Product Package (产品包装) :**



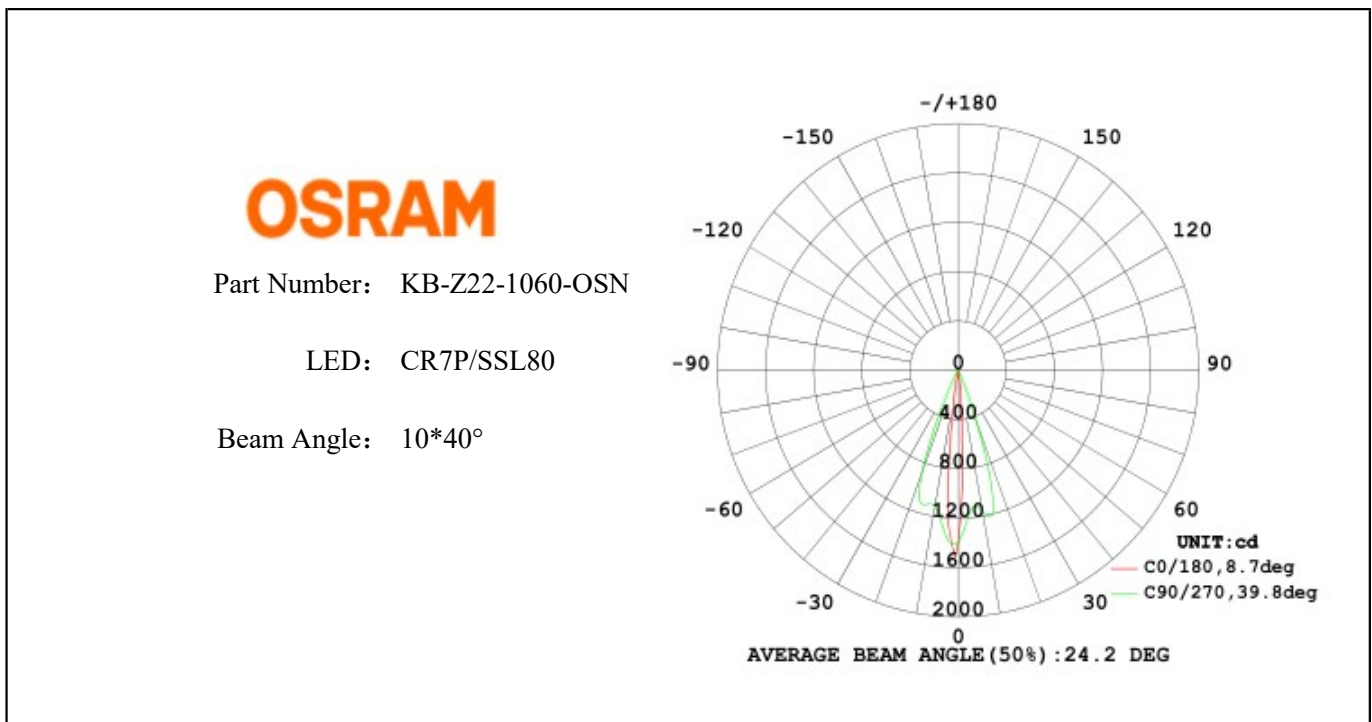
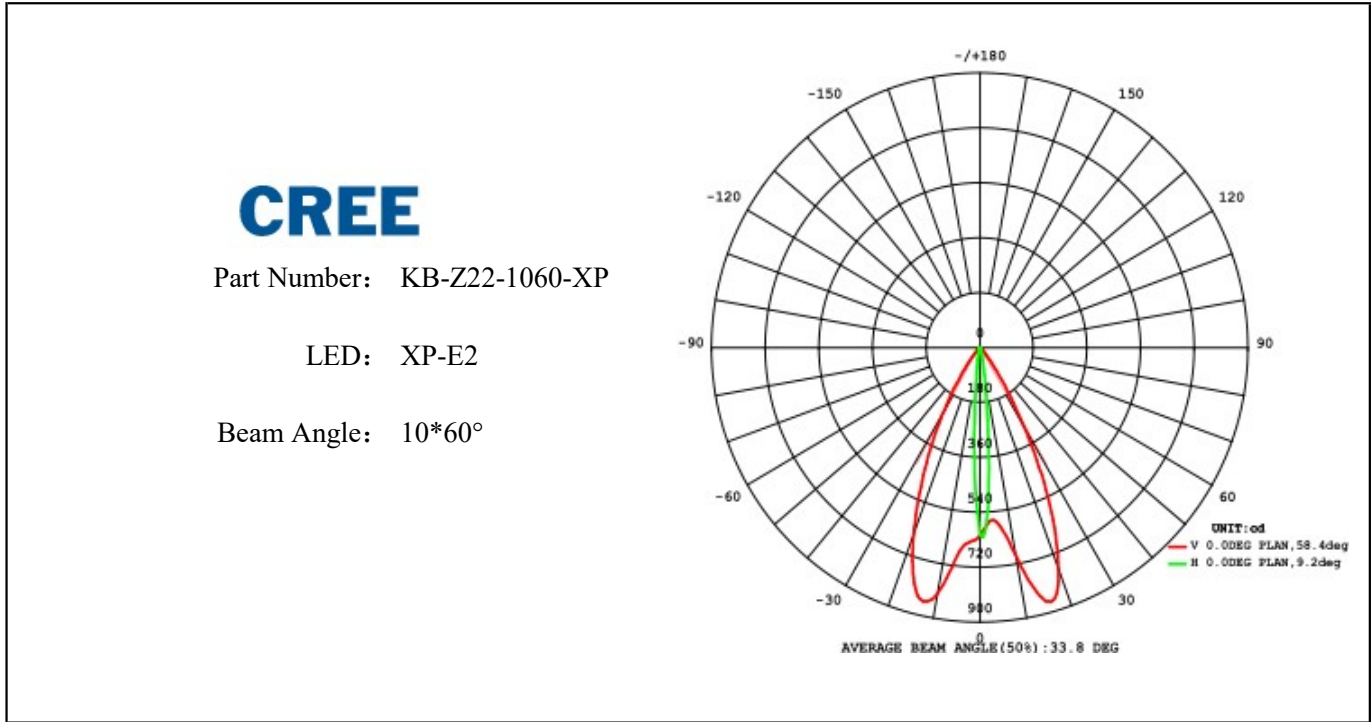
**Lens with holder**

320pcs/box  
12boxes/carton  
G.W/Ctn: 20KG  
Ctn Size: 62.5\*29\*26cm

**Lens with holder and Tape**

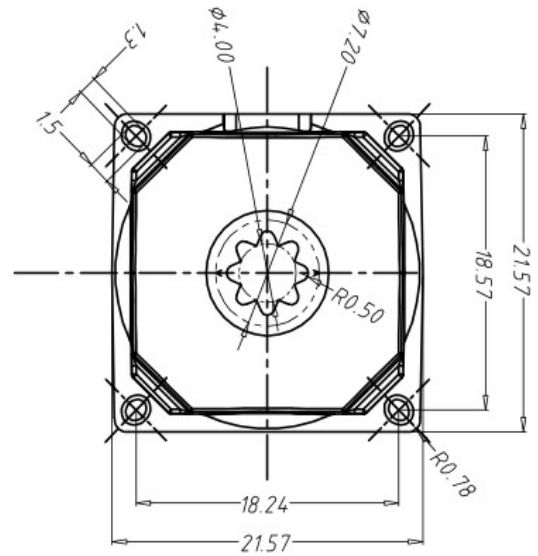
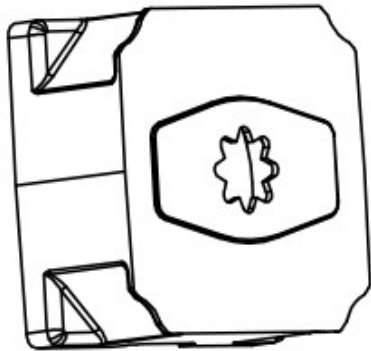
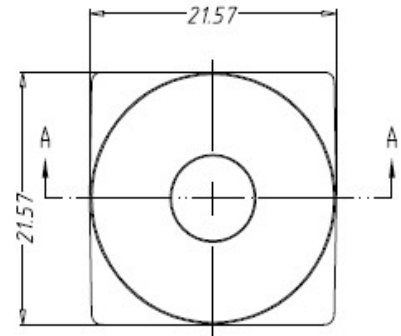
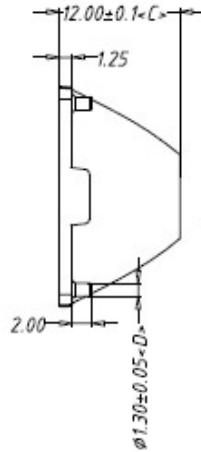
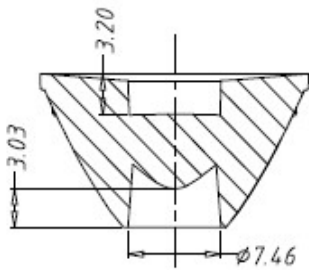
3840sets/box  
12boxes/carton  
G.W/Ctn: 20KG  
Ctn Size: 62.5\*29\*26cm

**Optical Characteristics (光学测试报告) :**

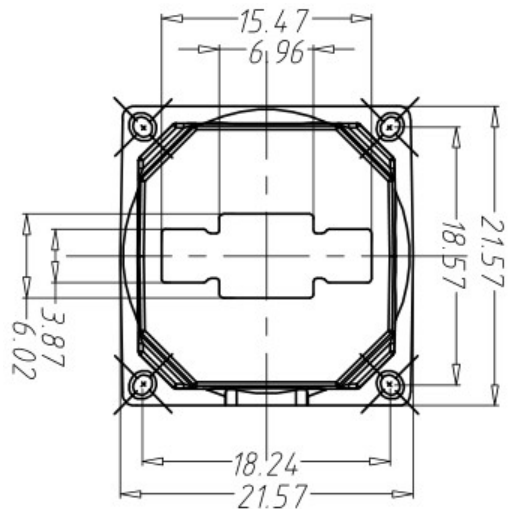
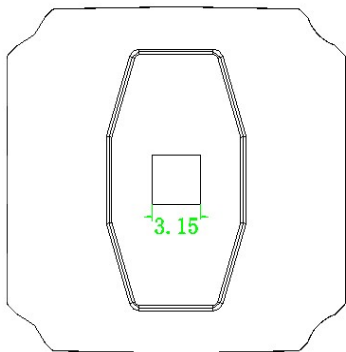




**Mechanical Characteristics (产品尺寸图) :**



**(XPE/3535- Holder)**



**(OSLON- Holder)**

**(Golden Dragon /CEEE-MX-6- Holder)**