



## Product Parameters (产品描述)

产品编号 | Part Number: KB-LN80-3X1-xx-L

出光角度 | Beam Angle: 15/24°

产品材料 | Material: Lens-PMMA / Reflector&Holder-PC

工作温度 | Work Temp: <85°C

安装方式 | Fastening: Screw

反光杯颜色 | Reflector Color: Black

透光率 | Transmittance: 93%

匹配LED | Match Led: 3030/2835/3535 Leds

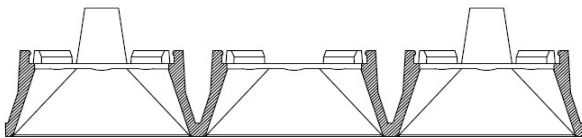
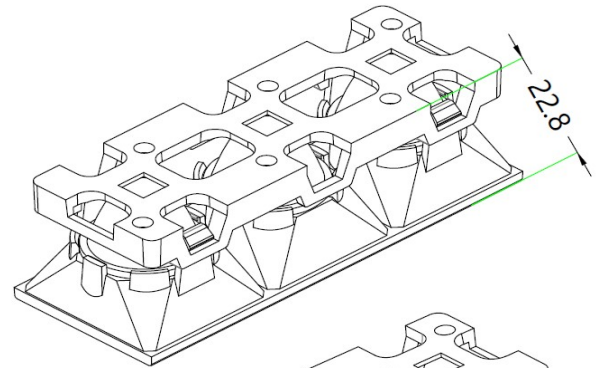
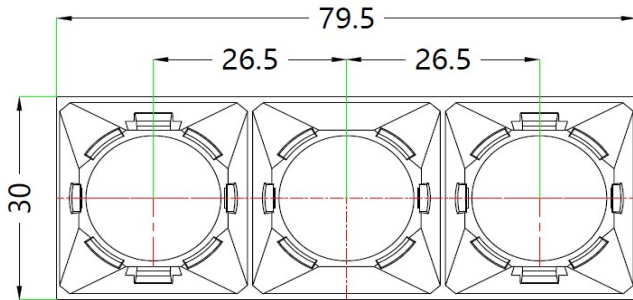
Part Number	Material	Dimension	Beam Angle
KB-LN80-3X1-15-L	PMMA	L79.5*W30*H22.8mm	~15°
KB-LN80-3X1-24-L	PMMA	L79.5*W30*H22.8mm	~24°
KB-LN80-3X1-REF-BL	PC	Reflector black color	

## Direction for Use

### (透镜 | LENS)

- 1, Please use some soft paper or pure water to clean lens ( reflector)
- 2, Don't use any industrial solvent to clean lens surface , such as alcohol
- 3, Storage environment : Temperature 0~40°C , Humidity 30%~95%
- 4, This kind of lens can make the lighting more concentrated, and it's made from transparent material , so please do not open the packages until you use them, in case of the dust and other pollutions.

Mechanical Characteristics (产品尺寸):



SECTION A-A

