



Product Parameters (产品描述)

产品编号 Part Number:	KB-H45-xx-RGBW	安装方式 Fastening:	Pins Glue
出光角度 Beam Angle:	6/10/25/10*45°	防水圈 Silica seal :	N/A
产品材料 Material:	PMMA	透光率 Transmittance:	93%
工作温度 Work Temp:	<85°C	匹配光源 Matched Led:	Osram S2W RGBW

Part Number	Lens Surface	Dimension	Beam Angle
KB-H45-6P-RGBW	珠面 / Beads	Φ45*H25.95MM	~6°
KB-H45-10P-RGBW	珠面 / Beads	Φ45*H25.95MM	~10°
KB-H45-25P-RGBW	珠面 / Beads	Φ45*H25.95MM	~25°
KB-H45-1045-RGBW	条纹面 / Strip	Φ45*H25.95MM	~10*45°

Direction for Use

(透镜 | LENS)

- 1, Please use some soft paper or pure water to clean lens (reflector)
- 2, Don't use any industrial solvent to clean lens surface , such as alcohol
- 3, Storage environment : Temperature 0~40°C , Humidity 30%~95%
- 4, This kind of lens can make the lighting more concentrated, and it's made from transparent material , so please do not open the packages until you use them, in case of the dust and other pollutions.

Light Distribution Curve (配光曲线图):

Part Number: KB-H45-6P-OSRGBW

Tested Led: Osram S2W



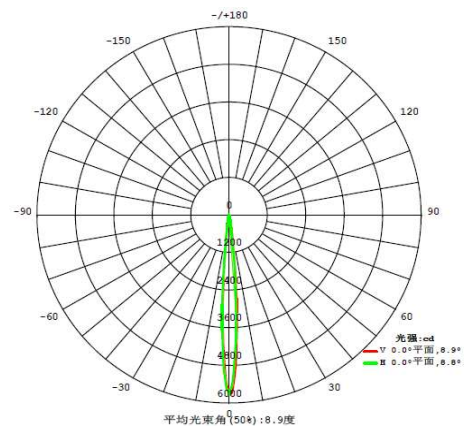
Beam angle:

Part Number: KB-H45-10P-OSRGBW

Tested Led: Osram S2W



Beam angle: 8.9°

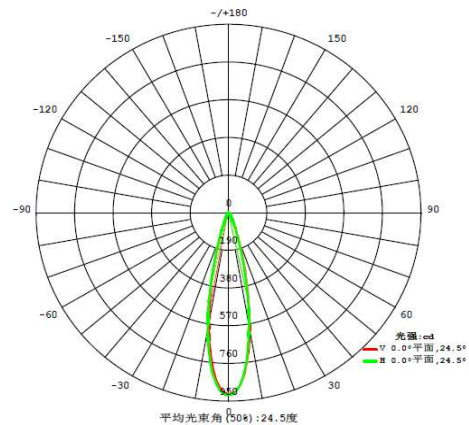


Part Number: KB-H45-25P-OSRGBW

Tested Led: Osram S2W



Beam angle: 24.5°

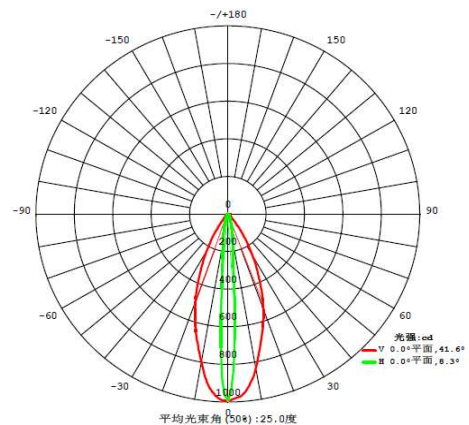


Part Number: KB-H45-1045-OSRGBW

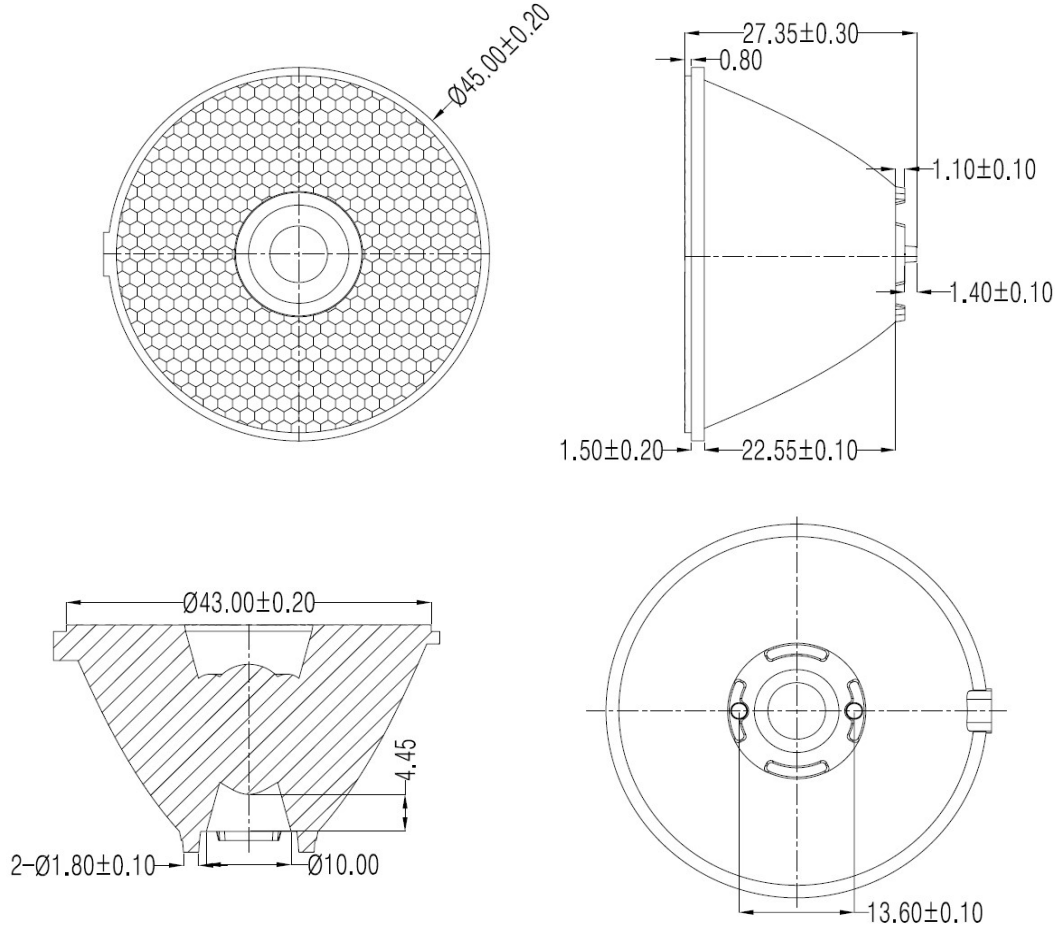
Tested Led: Osram S2W





Beam angle: 8.3*41.6°



Mechanical Characteristics (产品尺寸):



Product Package (产品包装):

Inner Box (内盒)	Outer Carton (外箱)
	
<p>6pcs/layer 6layers/ box gross weight: 1kg</p>	<p>20 boxes (720pcs) / carton gross weight: 20.8kg carton dimension: 64*28*30cm</p>

Mechanical Characteristics (产品尺寸):

Drawing for KB-H45-1045-OSRGBW

