



Product Parameters (产品描述)

产品编号 | Part Number: KB-H16-xxF-RGBW
出光角度 | Beam Angle: 40/30*50°
产品材料 | Material: PC
工作温度 | Work Temp: <90°C

安装方式 | Fastening: Pins/Glue
支架颜色 | /
透光率 | Transmittance: 93%
匹配LED | Match Led: SMD5050RGBW Leds

Part Number	Lens Surface	Dimension	Beam Angle
KB-H16-40PF-RGBW	珠面/beads	Φ16.6*H9.5mm	~40°
KB-H16-3050F-RGBW	条纹面/ellipse	Φ16.6*H9.5mm	~30*50°

Direction for Use

(透镜 | LENS)

- 1, Please use some soft paper or pure water to clean lens (reflector)
- 2, Don't use any industrial solvent to clean lens surface , such as alcohol
- 3, Storage environment : Temperature 0~40°C , Humidity 30%~95%
- 4, This kind of lens can make the lighting more concentrated, and it's made from transparent material , so please do not open the packages until you use them, in case of the dust and other pollutions.

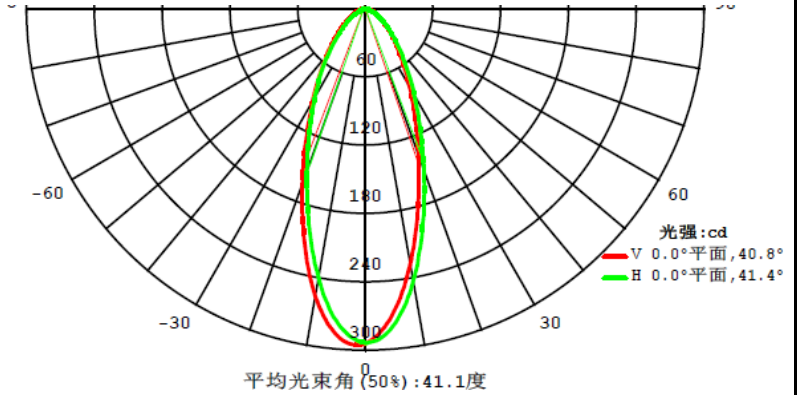
Light Distribution Curve (配光曲线图):



Part Number: KB-H16-40PF-RGBW

LED: 5050RGBW

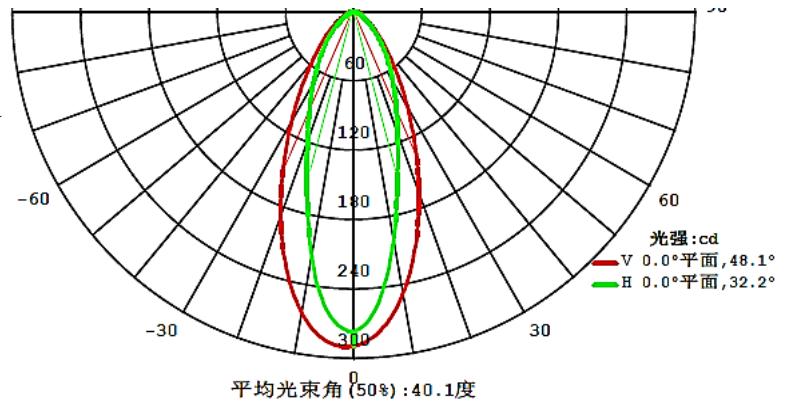
Beam Angle: 41°



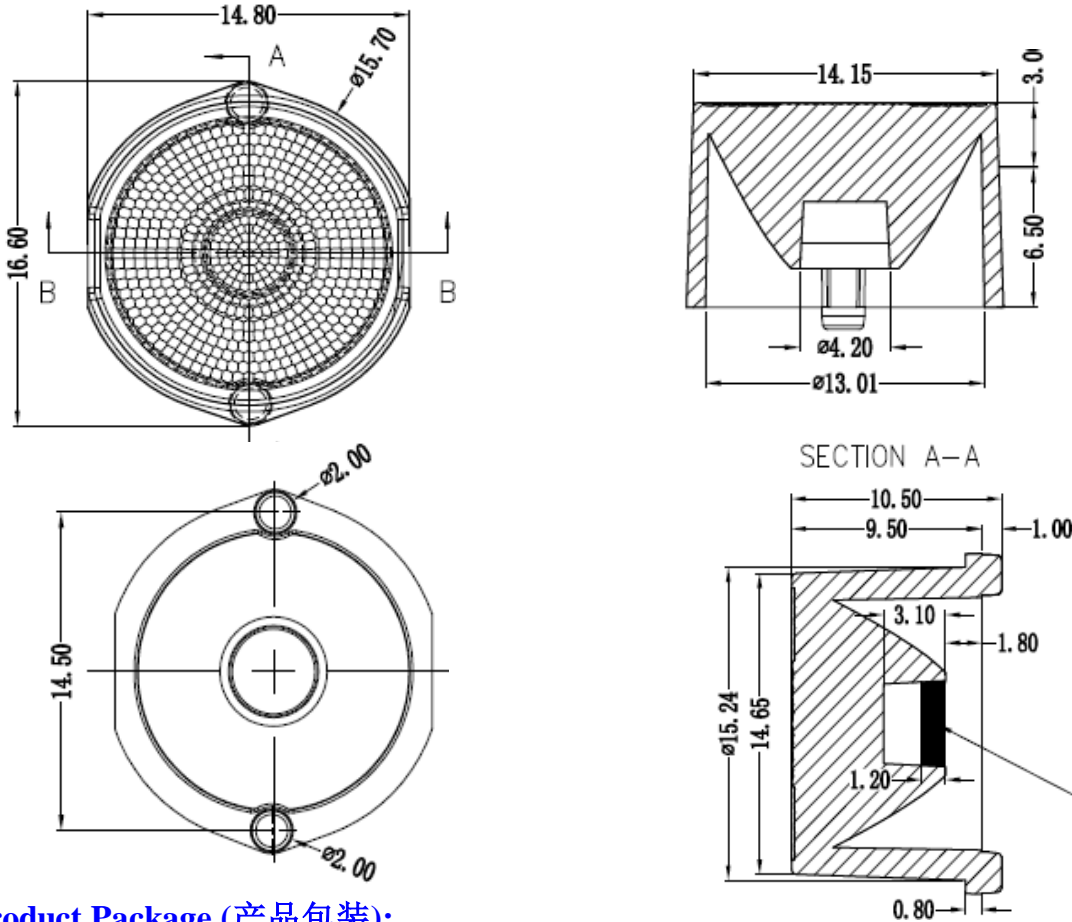
Part Number: KB-H16-3050F-RGBW

LED: 5050RGBW

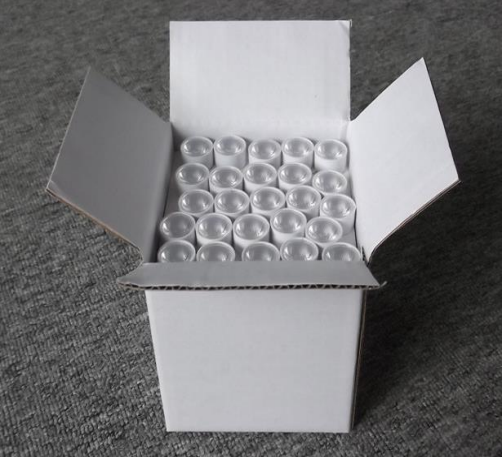

Beam Angle: 32*48°



Mechanical Characteristics (产品尺寸):



Product Package (产品包装):

Inner Box (内盒)	Outer Carton (外箱)
	
<p>25pcs/layer 9layers/box Gross weight: 0.8kg/box Box dimension: 13*13*13cm</p>	<p>20boxes/carton 4,500pcs/carton Gross weight: 17kg/CTN Carton Dimension: 64*28*32cm</p>