



**Product Parameters (产品描述)**

产品名称 | Product Name: LED LENS  
出光角度 | Beam Angle: 60/90/120/ASYM  
产品材料 | Material: PC  
工作温度 | Work Temp: <105°C

安装方式 | Fastening: Screw  
防水圈 | Silica seal : available  
透光率 | Transmittance: 93%  
匹配LED | Match Led: SMD3030/2835 Leds

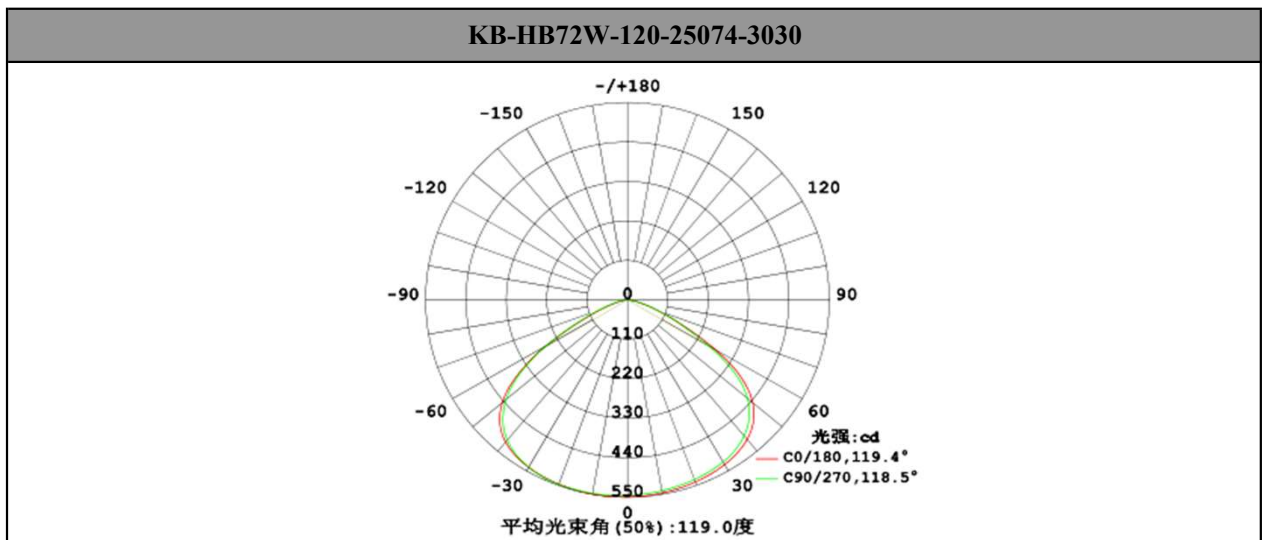
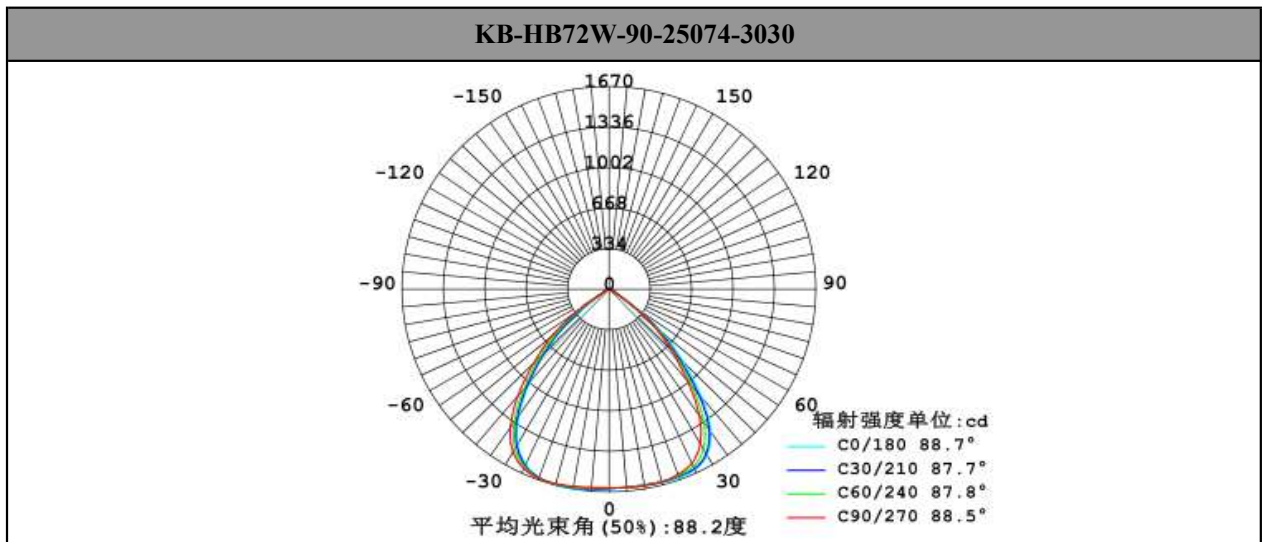
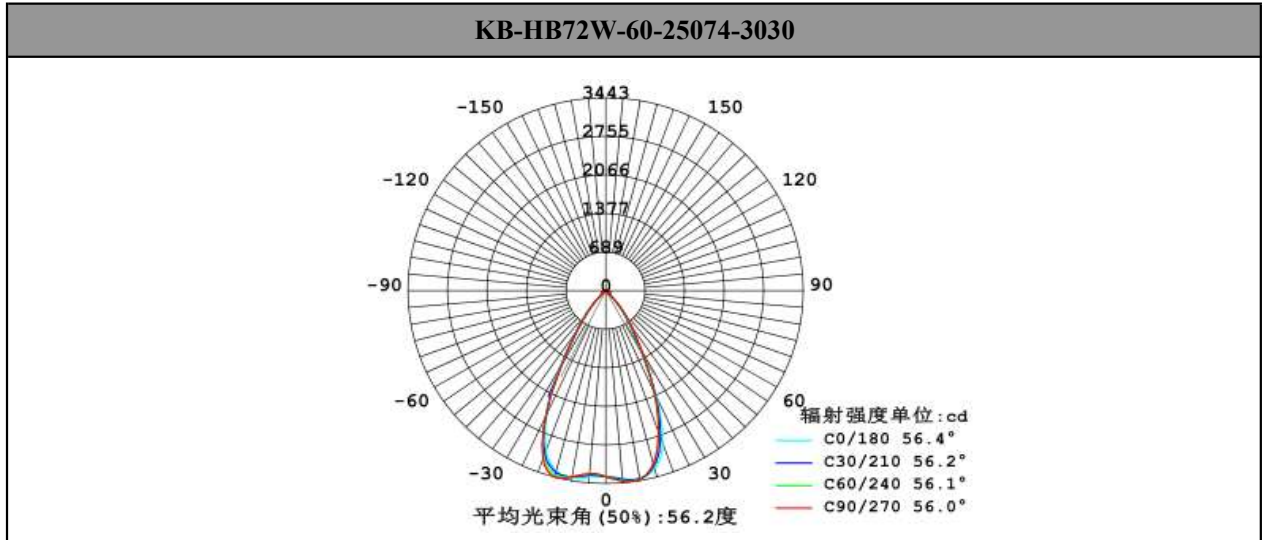
Part Number	Match Led	LED QTY	Dimension	Beam Angle
KB-HB72W-60-25074-3030	SMD3030/2835	72pcs	L250*W74mm	~60°
KB-HB72W-90-25074-3030	SMD3030/2835	72pcs	L250*W74mm	~90°
KB-HB72W-120-25074-3030	SMD3030/2835	72pcs	L250*W74mm	~120°
KB-SL72W-90x110-25074-3030	SMD3030/2835	no limit	L250*W74mm	~90*110°
KB-SL72W-70140-25074-3030	SMD3030/2835	72pcs	L250*W74mm	~70*140°
KB-SL72W-80150-25074-3030	SMD3030/2835	72pcs	L250*W74mm	~80*150°

**Direction for Use**

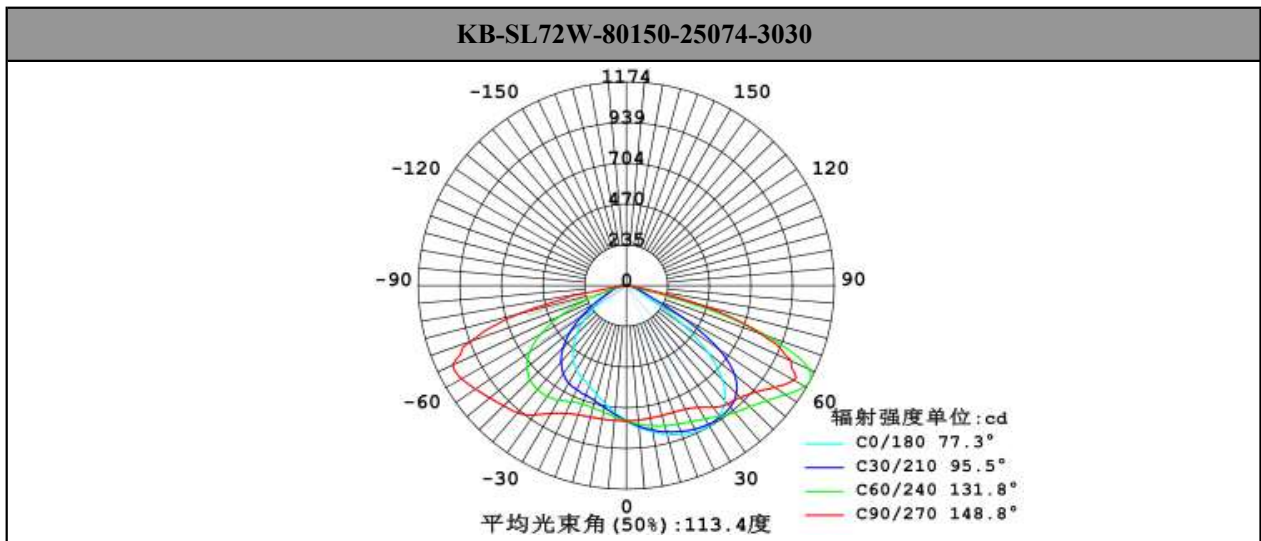
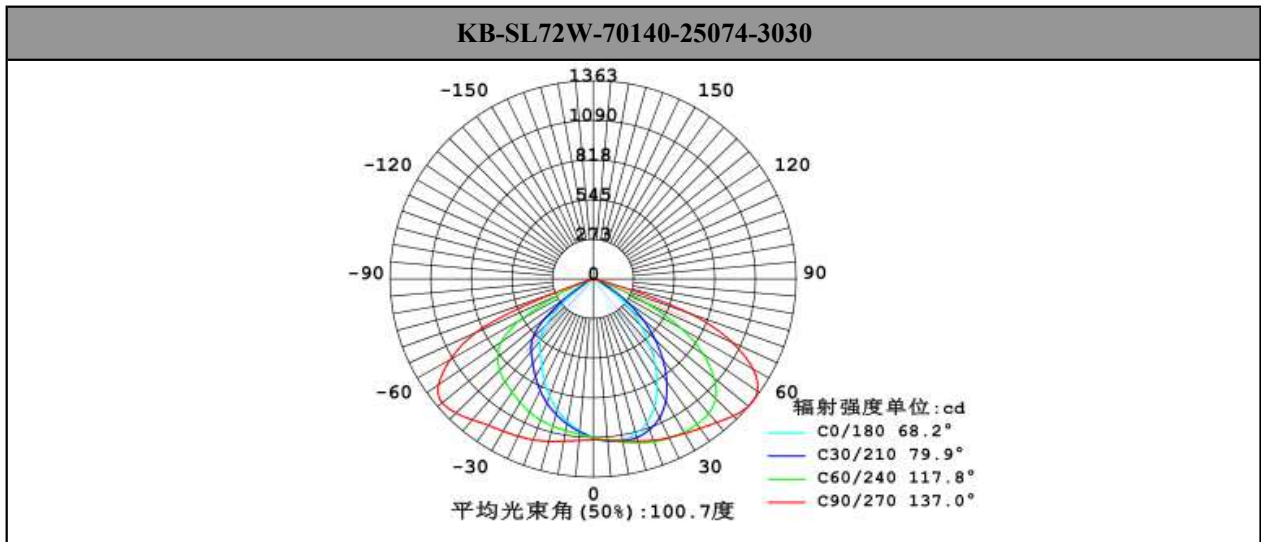
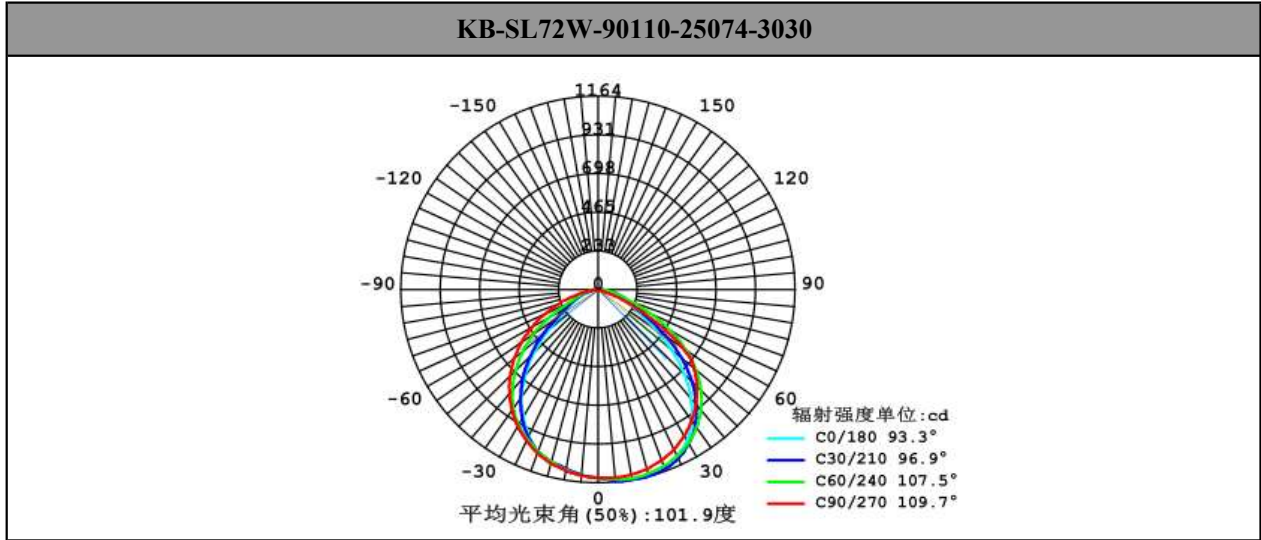
**(透镜 | LENS)**

- 1, Please use some soft paper or pure water to clean lens ( reflector)
- 2, Don't use any industrial solvent to clean lens surface , such as alcohol
- 3, Storage environment : Temperature 0~40°C , Humidity 30%~95%
- 4, This kind of lens can make the lighting more concentrated, and it's made from transparent material , so please do not open the packages until you use them, in case of the dust and other pollutions.

**Light Distribution Curve (配光曲线图):**

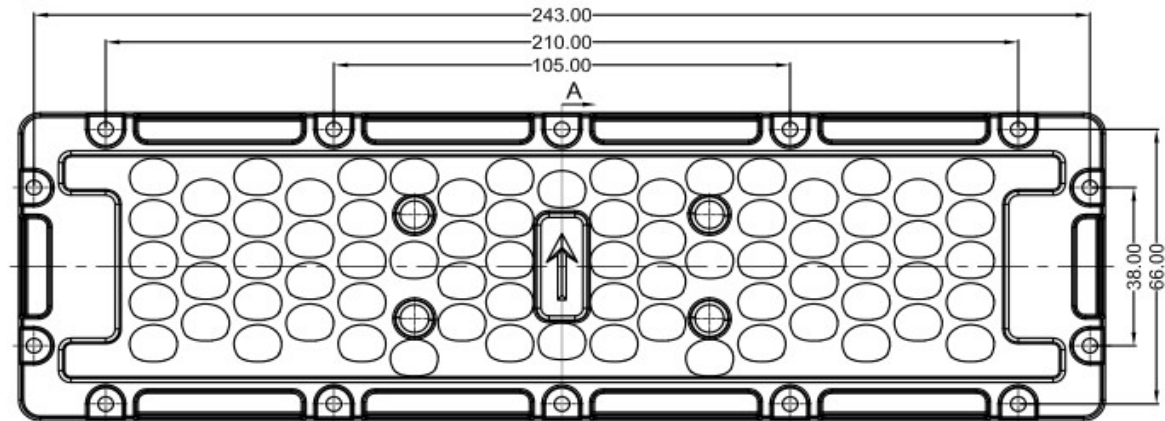
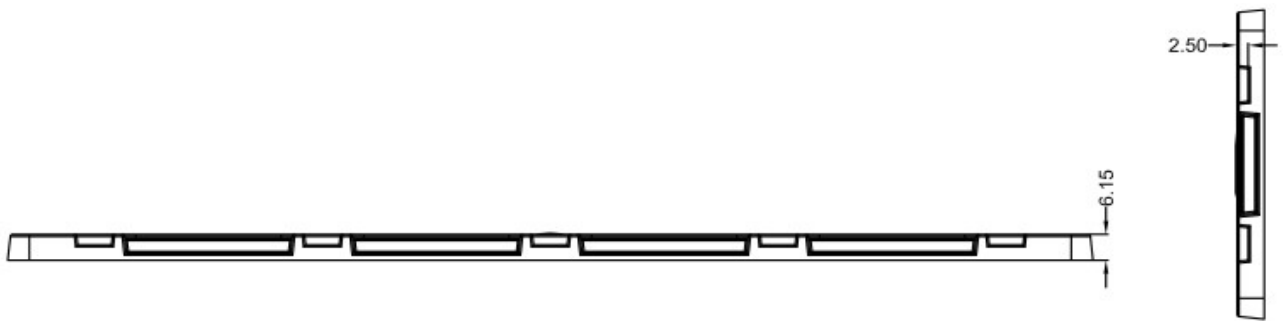
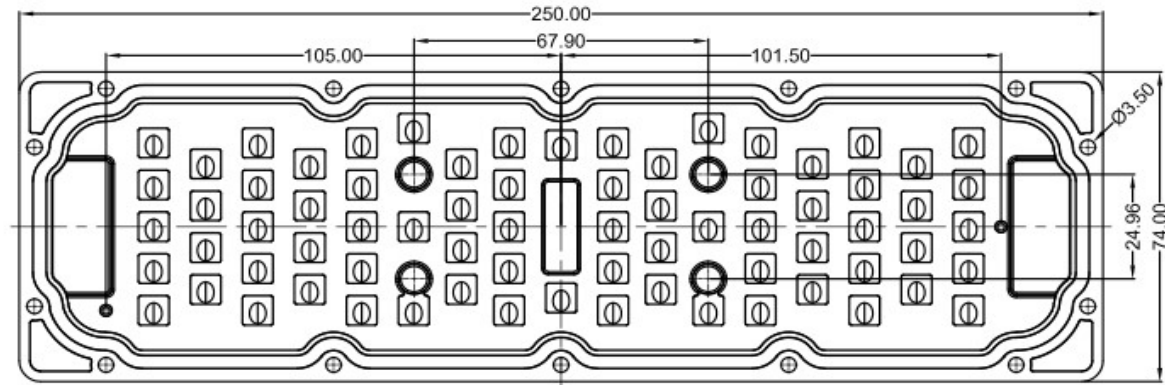


**Light Distribution Curve (配光曲线图):**



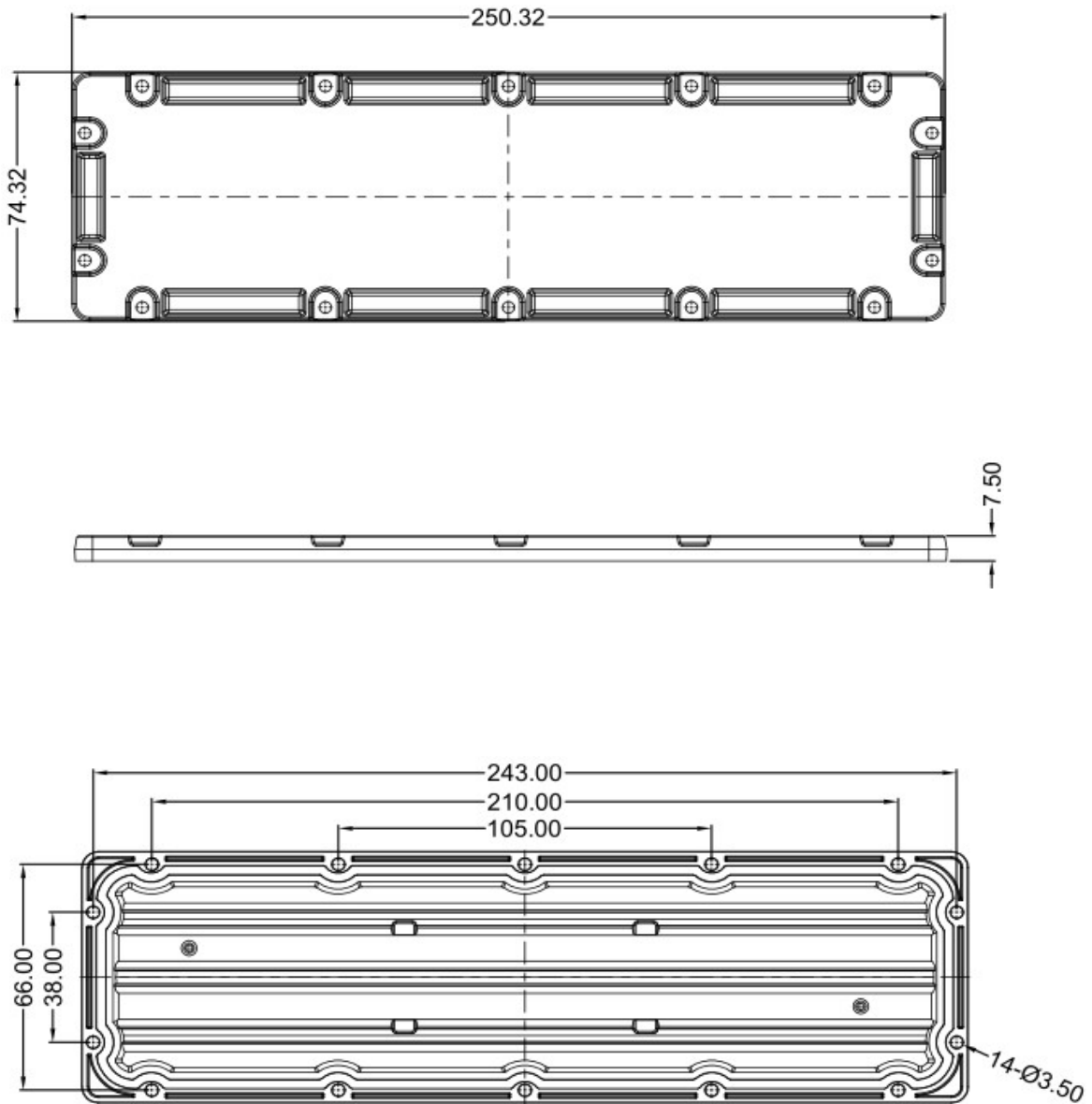
Mechanical Characteristics (产品尺寸):

(KB-HB/SL72W-xx-25074-3030)



Mechanical Characteristics (产品尺寸):

(KB-SL72W-90\*110-25074-3030)



Mechanical Characteristics (产品尺寸):

(KB-HB72W-120-25074-3030)

