



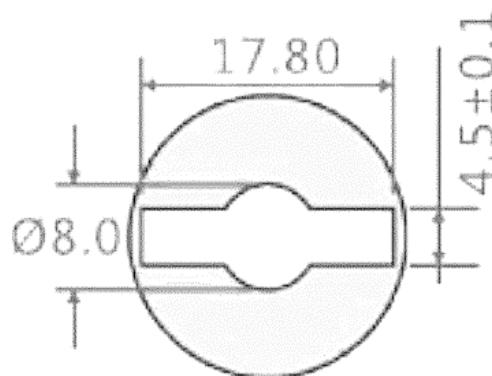
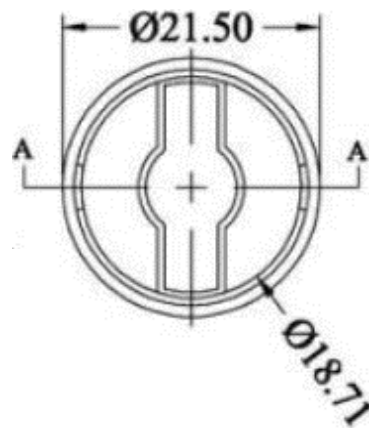
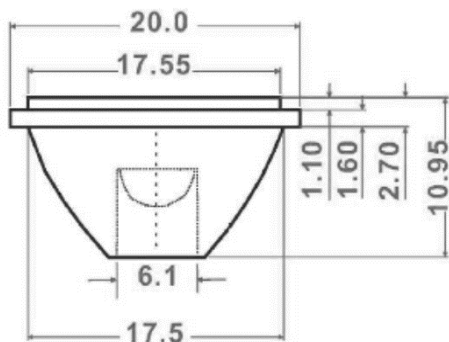
**Product Parameters (产品描述)**

产品编号 | Part Number: KB-20-xx  
 出光角度 | Beam Angle: 5~120°/Oval  
 产品材料 | Material: Lens-PMMA/Holder-PC  
 工作温度 | Work Temp: <85°C

安装方式 | Fastening: Tape/Glue  
 支架颜色 | Holder Color: White/Black  
 透光率 | Transmittance: 93%  
 匹配LED | Match Led: Lumileds/SSC P4/Edison Leds

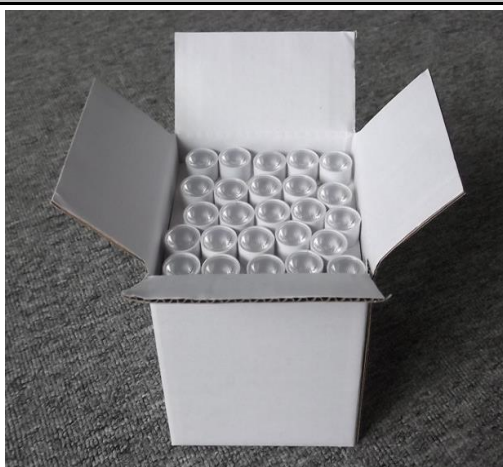
Part Number	Lens Surface	Beam Angle	Part Number	Lens Surface	Beam Angle
KB-20-5	镜面/clear	~5°	KB-20-45A	凹面/Concave	~45°
KB-20-10	镜面/clear	~10°	KB-20-45AM	凹面磨砂/Concave Matt	~45°
KB-20-15	镜面/clear	~15°	KB-20-60	镜面/clear	~60°
KB-20-15M	磨砂/Matt	~15°	KB-20-60M	磨砂/Matt	~60°
KB-20-15A	凹面/Concave	~15°	KB-20-60P	珠面/Beads	~60°
KB-20-20	镜面/clear	~20°	KB-20-60AM	凹面磨砂/Concave Matt	~60°
KB-20-25	镜面/clear	~25°	KB-20-60AP	凹面珠面/Concave Beads	~60°
KB-20-25A	凹面/Concave	~25°	KB-20-70	镜面/clear	~70°
KB-20-25AM	凹面磨砂/Concave Matt	~25°	KB-20-80	镜面/clear	~80°
KB-20-30	镜面/clear	~30°	KB-20-90	镜面/clear	~90°
KB-20-30M	磨砂/Matt	~30°	KB-20-120	镜面/clear	~120°
KB-20-30P	珠面/Beads	~30°	KB-20-120M	磨砂/Matt	~120°
KB-20-45	镜面/clear	~45°	KB-20-120P	珠面/Beads	~120°
KB-20-45M	磨砂/Matt	~45°	KB-20-2035	条纹面/ellipse	~20*35°
KB-20-45P	珠面/Beads	~45°	KB-20-2550	条纹面/ellipse	~25*50°

**Mechanical Characteristics (产品尺寸):**



**Product Package (产品包装):**

Inner Box (内盒)



200layers/box  
Gross weight: 0.7kg/box  
Box dimension: 13\*13\*13cm

Outer Carton (外箱)



20boxes/carton  
4,000pcs/carton  
Gross weight: 14kg/CTN  
Carton Dimension: 64\*28\*32cm