



## Product Parameters (产品描述)

产品编号 | Part Number: KB-22.4-xx  
出光角度 | Beam Angle: 5~120°/Oval  
产品材料 | Material: Lens-PMMA/Holder-PC  
工作温度 | Work Temp: <85°C

安装方式 | Fastening: Glue  
支架颜色 | Holder Color: White/Black  
透光率 | Transmittance: 93%  
匹配LED | Match Led: Lumileds/SSC P4/Edison Le

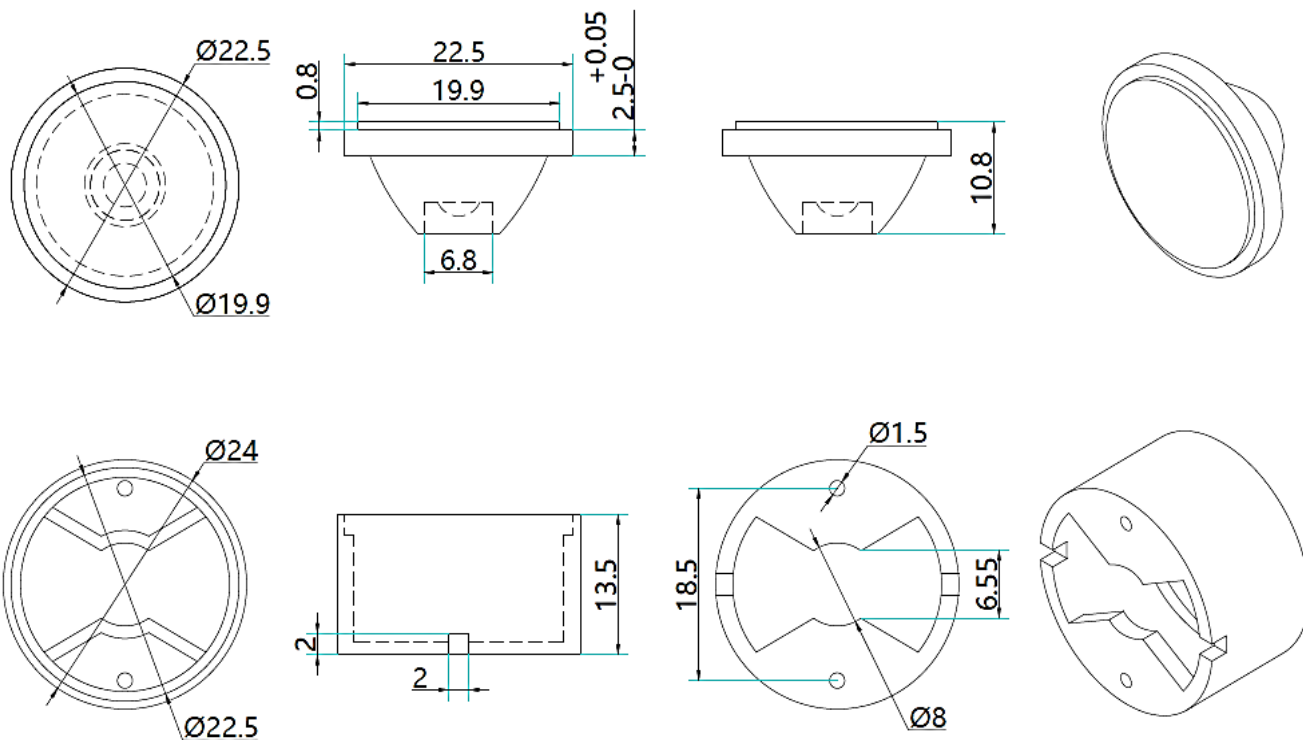
Part Number	Lens Surface	Dimension	Beam Angle
KB-22.4-15	镜面/clear	Φ22.5*H13.5mm	~15°
KB-22.4-25M	磨砂/Matt	Φ22.5*H13.5mm	~25°
KB-22.4-25A	凹面/Concave	Φ22.5*H13.5mm	~25°
KB-22.4-25P	珠面/Beads	Φ22.5*H13.5mm	~25°
KB-22.4-45P	珠面/Beads	Φ22.5*H13.5mm	~45°
KB-22.4-1045	条纹面/ellipse	Φ22.5*H13.5mm	~10*45°
KB-22.4-2545	条纹面/ellipse	Φ22.5*H13.5mm	~25*45°

## Direction for Use

### (透镜 | LENS)

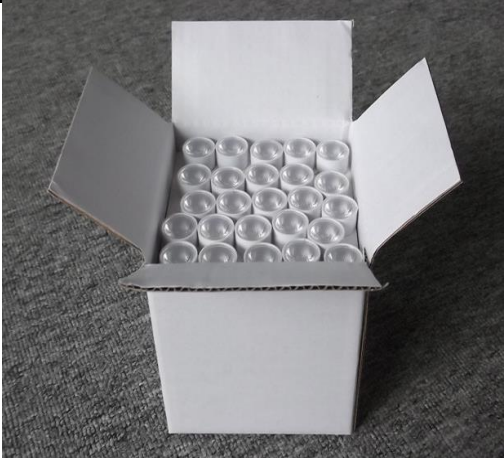

- 1, Please use some soft paper or pure water to clean lens ( reflector)
- 2, Don't use any industrial solvent to clean lens surface , such as alcohol
- 3, Storage environment : Temperature 0~40°C , Humidity 30%~95%
- 4, This kind of lens can make the lighting more concentrated, and it's made from transparent material , so please do not open the packages until you use them, in case of the dust and other pollutions.

**Mechanical Characteristics (产品尺寸):**

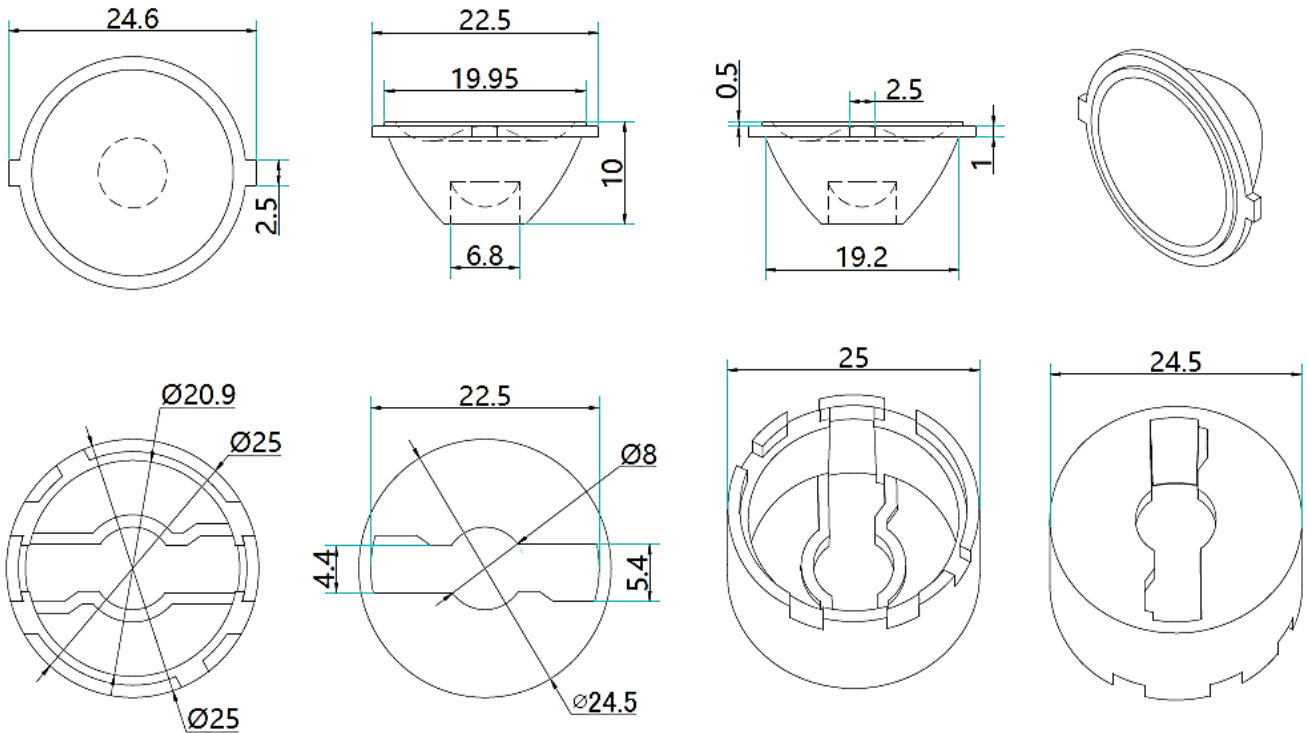


**KB-22.4-xx**

**Product Package (产品包装):**

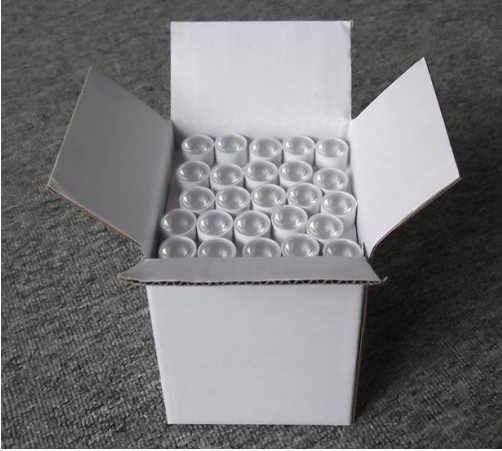

Inner Box (内盒)	Outer Carton (外箱)
	
<p>180layers/box Gross weight: 0.7kg/box Box dimension: 13*13*13cm</p>	<p>20boxes/carton 3,600pcs/carton Gross weight: 14kg/CTN Carton Dimension: 64*28*32cm</p>

**Mechanical Characteristics (产品尺寸):**



**KB-22.4-25**

**Product Package (产品包装):**

Inner Box (内盒)	Outer Carton (外箱)
	
<p>180layers/box Gross weight: 0.7kg/box Box dimension: 13*13*13cm</p>	<p>20boxes/carton 3,600pcs/carton Gross weight: 14kg/CTN Carton Dimension: 64*28*32cm</p>