



**Product Parameters (产品描述)**

产品编号 | Part Number: KB-H20-xx-3030  
 出光角度 | Beam Angle: 7/12/25/45/60/15\*30/20\*50°  
 产品材料 | Material: PMMA  
 工作温度 | Work Temp: <85°C

安装方式 | Fastening: Tape/Glue/Clips  
 支架颜色 | Holder Color: White/Black  
 透光率 | Transmittance: 93%  
 匹配LED | Match Led: Dome/Flat 3030/3535 Leds

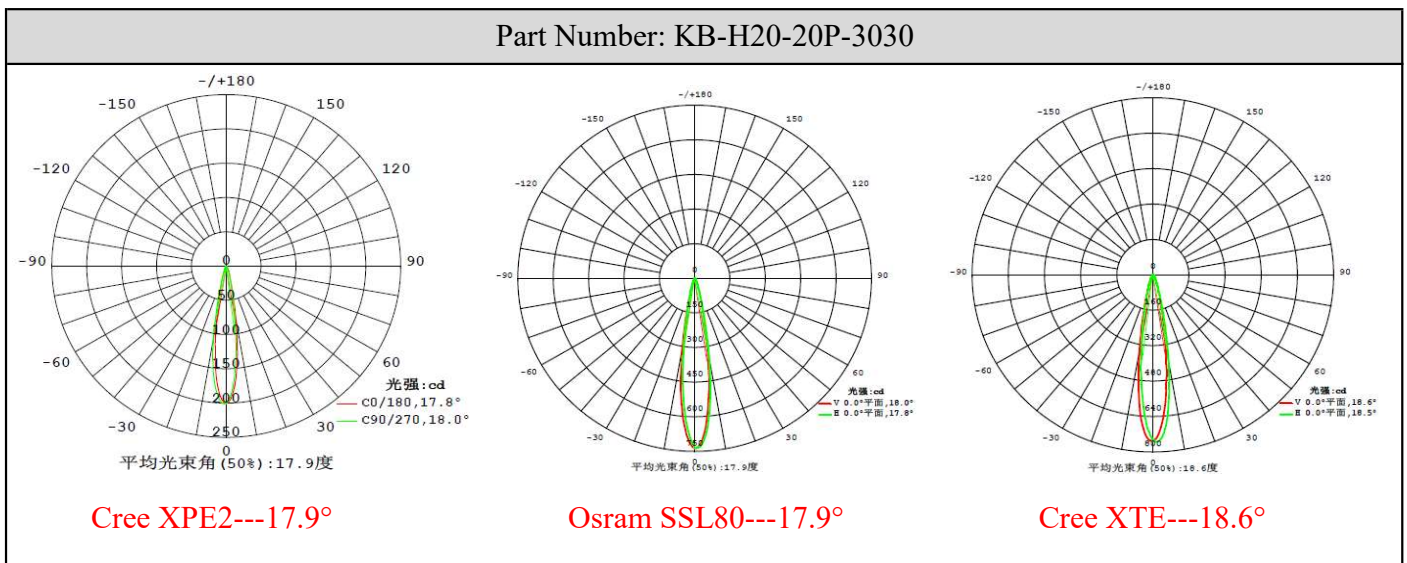
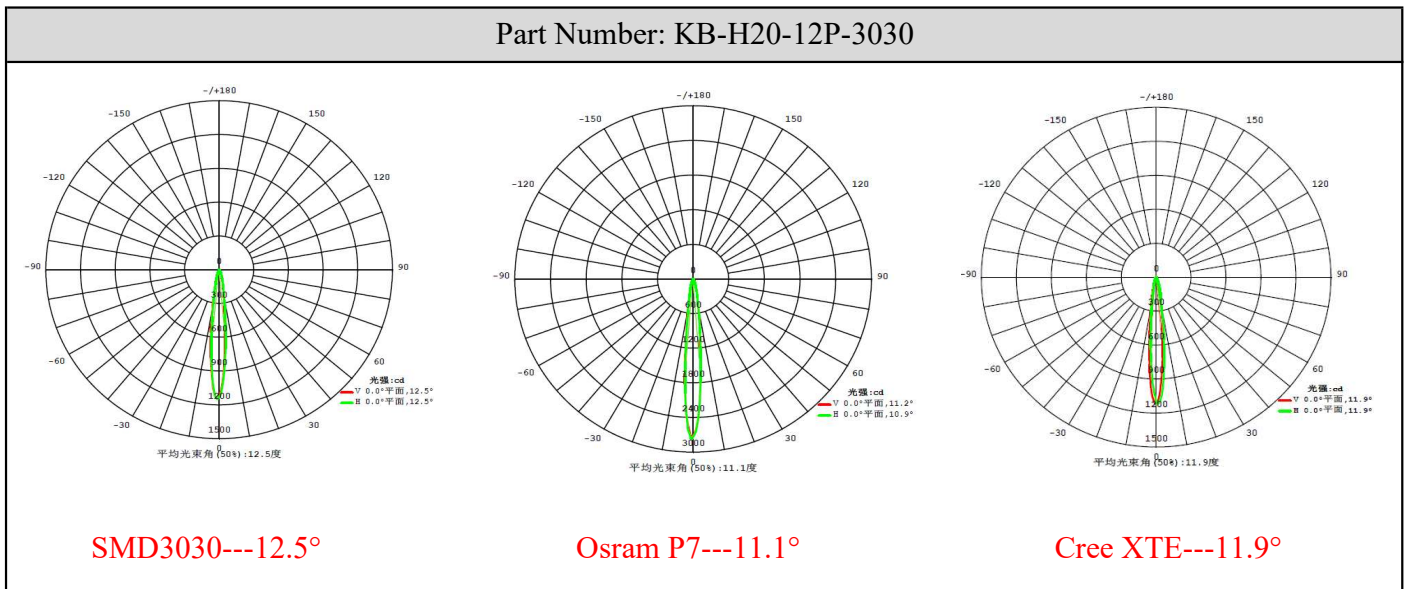
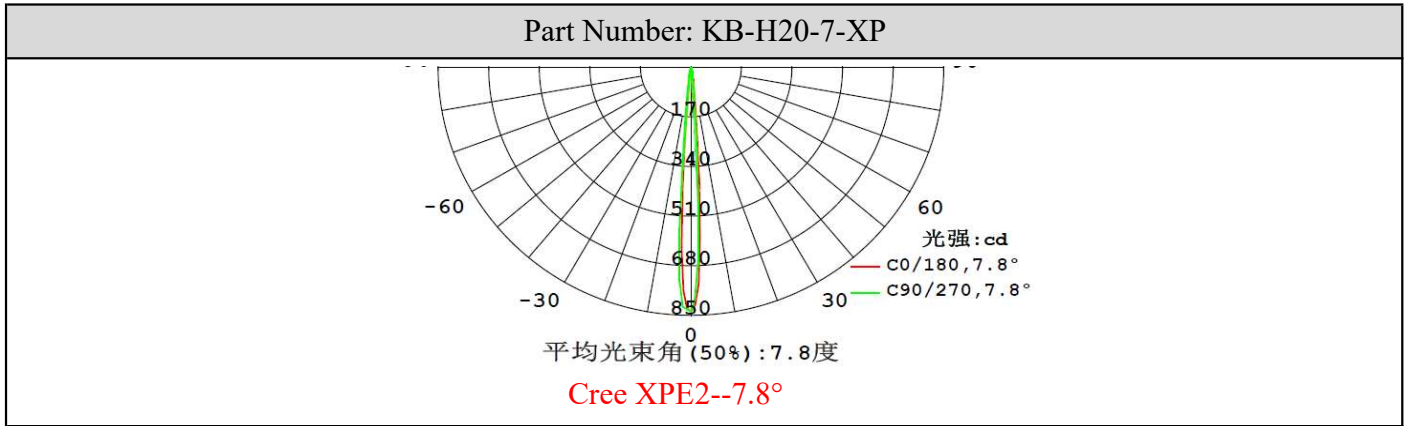
Part Number	Lens Surface	Dimension	Beam Angle
KB-H20-7-XP	镜面/transparent	Φ19.8*H11.35/Φ21.74*H12.5mm	~7°
KB-H20-12P-3030	珠面/beads	Φ19.8*H11.35/Φ21.74*H12.5mm	~12°
KB-H20-20P-3030	珠面/beads	Φ19.8*H11.35/Φ21.74*H12.5mm	~20°
KB-H20-25P-3030	珠面/beads	Φ19.8*H11.35/Φ21.74*H12.5mm	~25°
KB-H20-45P-3030	珠面/beads	Φ19.8*H11.35/Φ21.74*H12.5mm	~45°
KB-H20-60P-3030	珠面/beads	Φ19.8*H11.35/Φ21.74*H12.5mm	~60°
KB-H20-2545PG-3030	珠面/beads	Φ19.8*H11.35/Φ21.74*H12.5mm	~25*45+20° Polarized
KB-H20-1530-3030	条纹面/strip	Φ19.8*H11.35/Φ21.74*H12.5mm	~15*30°
KB-H20-2050-3030	条纹面/strip	Φ19.8*H11.35/Φ21.74*H12.5mm	~20*50°

**Direction for Use**

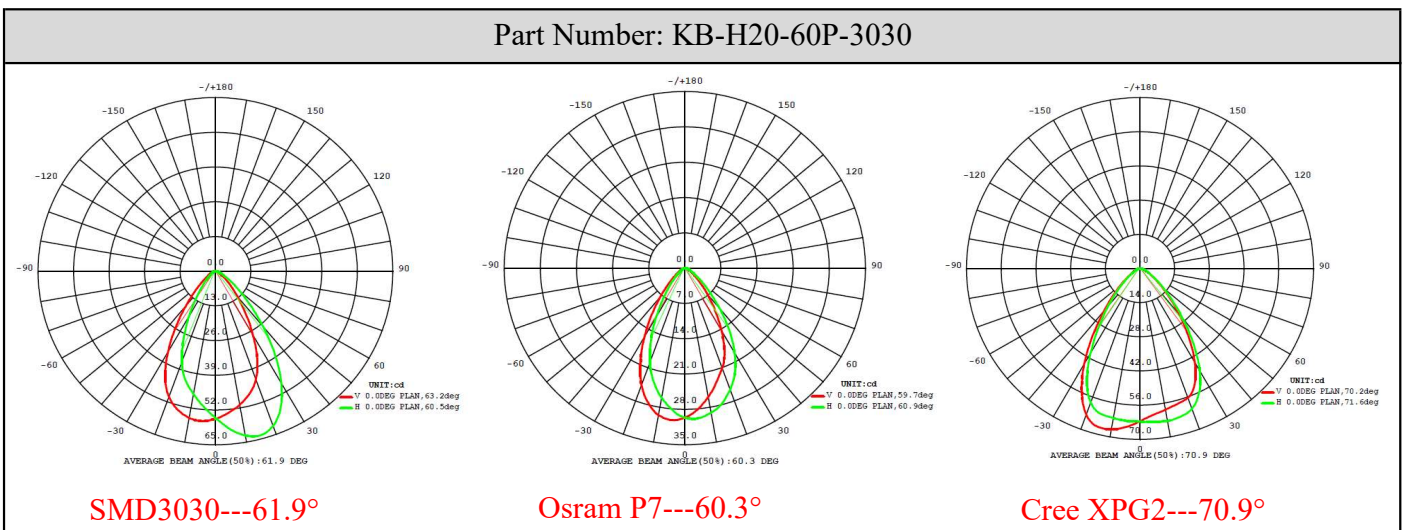
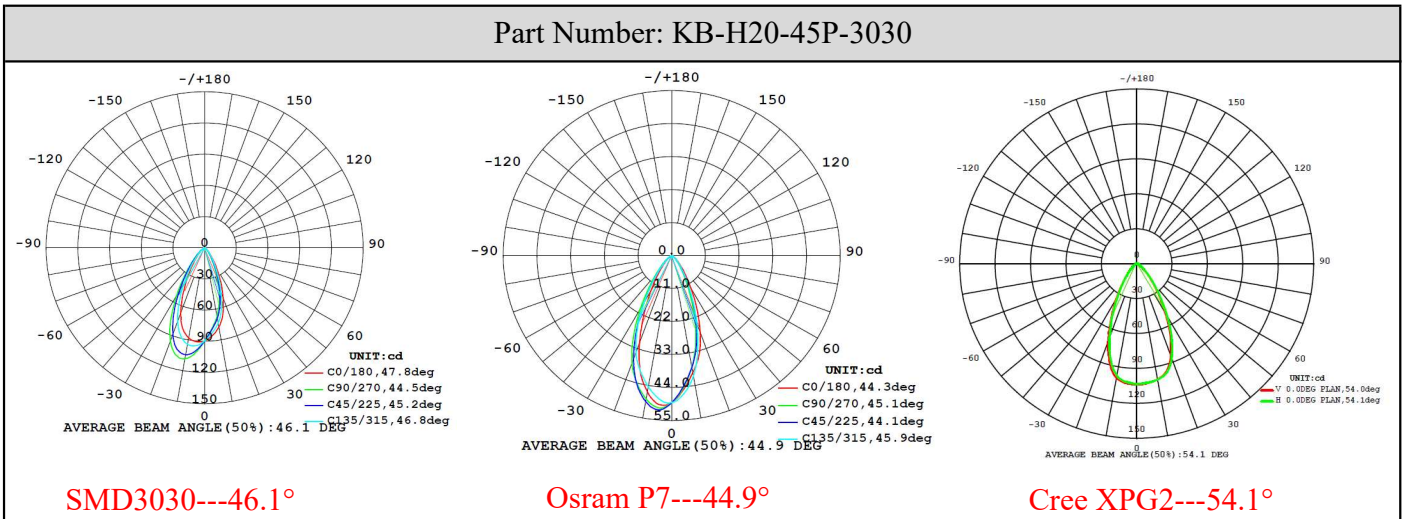
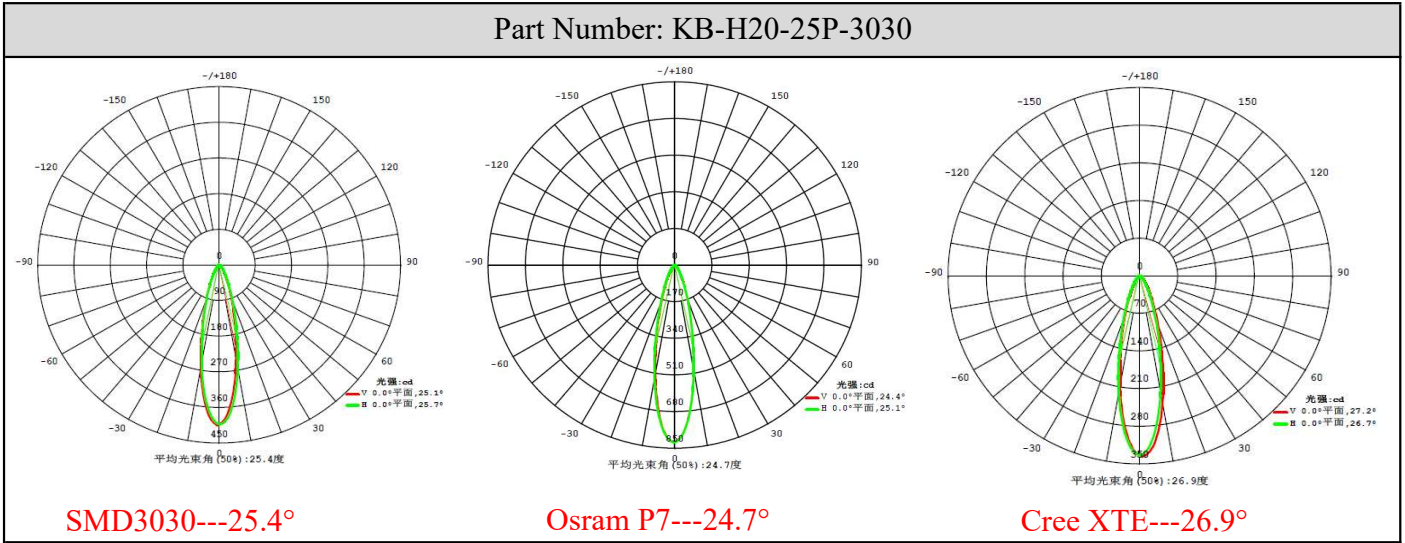
**(透镜 | LENS)**

- 1, Please use some soft paper or pure water to clean lens ( reflector)
- 2, Don't use any industrial solvent to clean lens surface , such as alcohol
- 3, Storage environment : Temperature 0~40°C , Humidity 30%~95%
- 4, This kind of lens can make the lighting more concentrated, and it's made from transparent material , so please do not open the packages until you use them, in case of the dust and other pollutions.

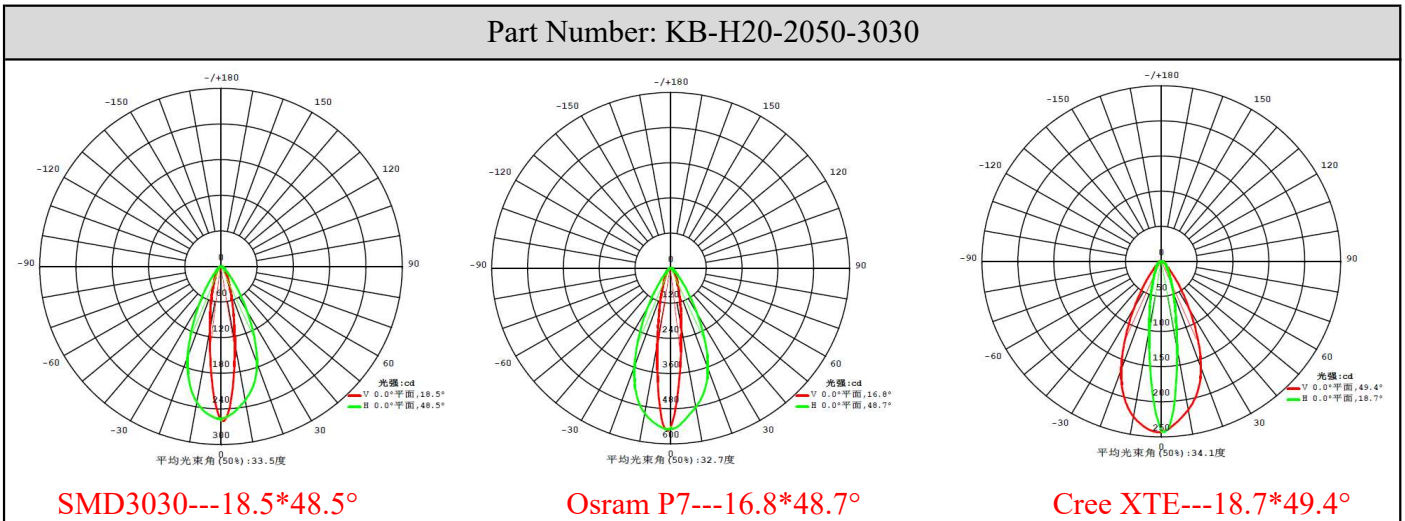
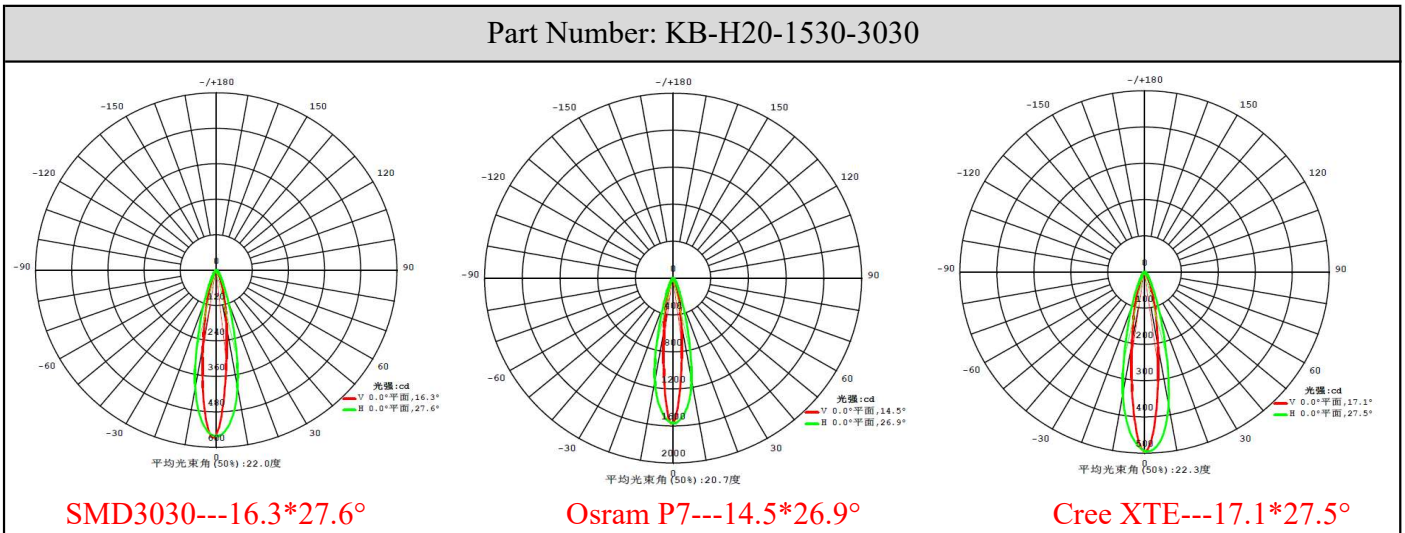
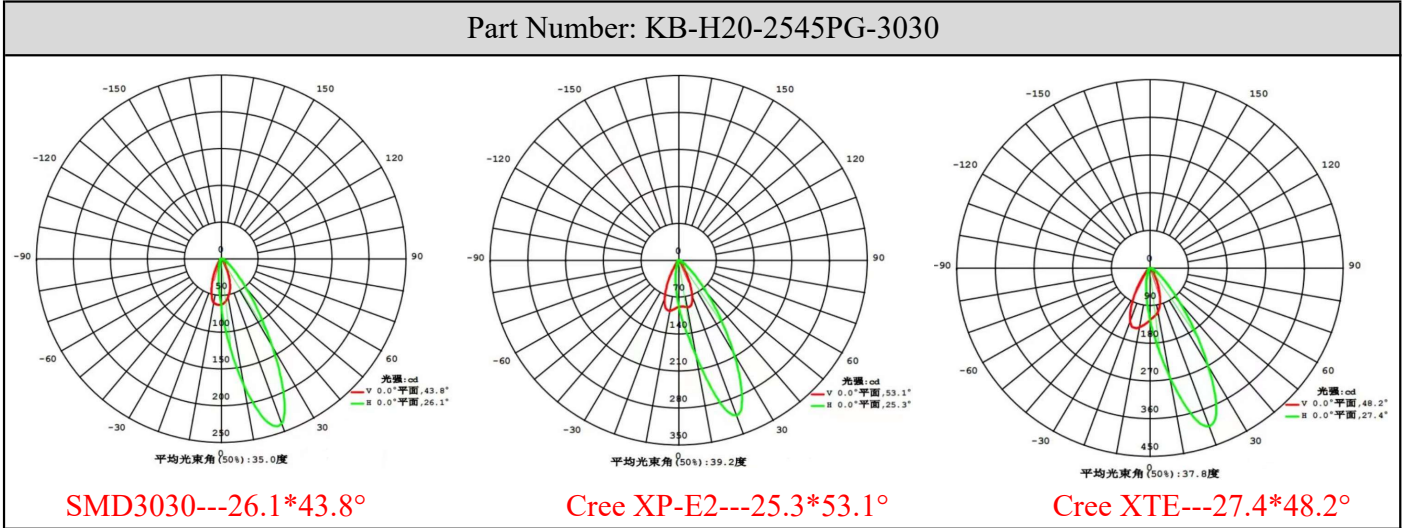
Light Distribution Curve (配光曲线图):



**Light Distribution Curve (配光曲线图):**

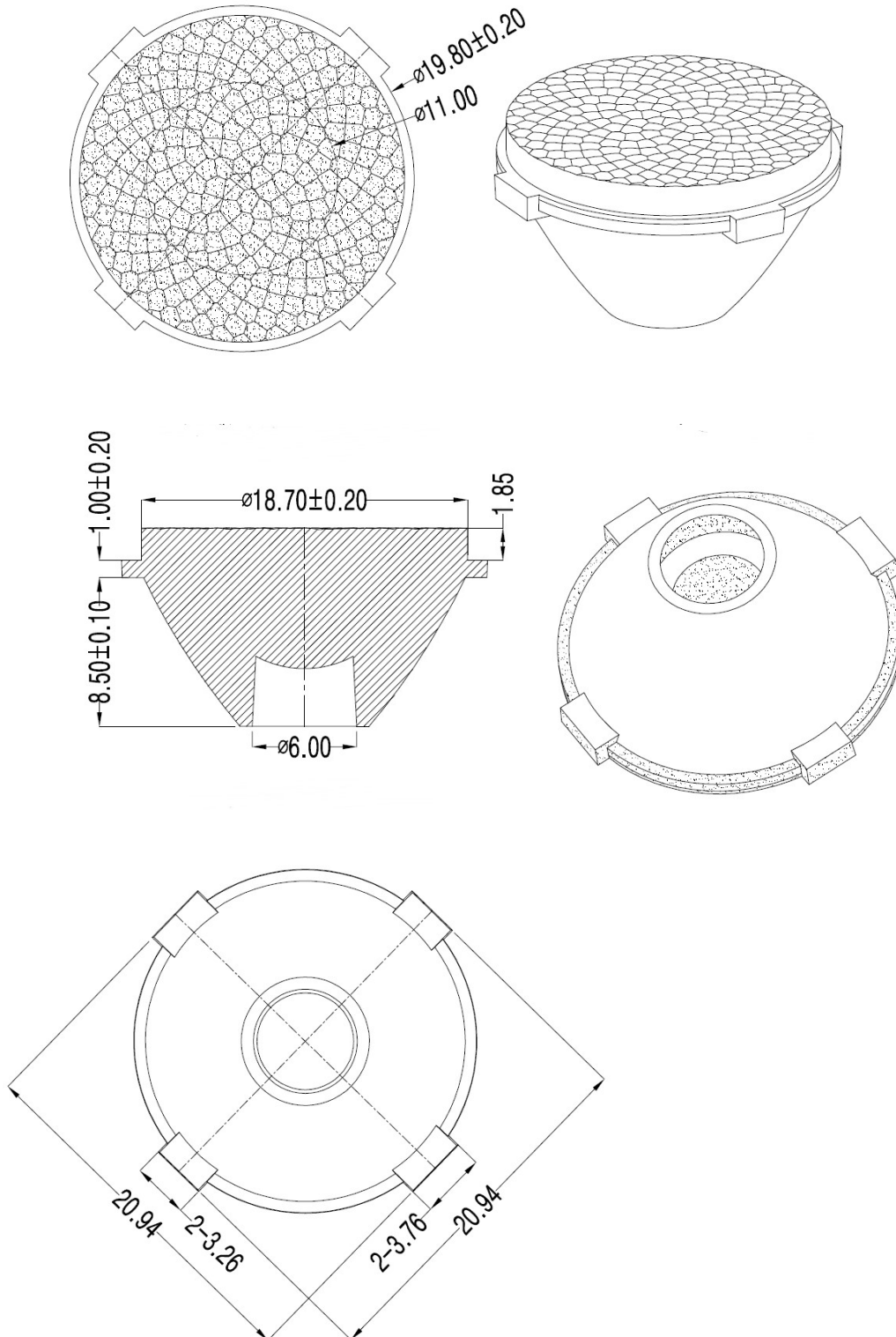


**Light Distribution Curve (配光曲线图):**



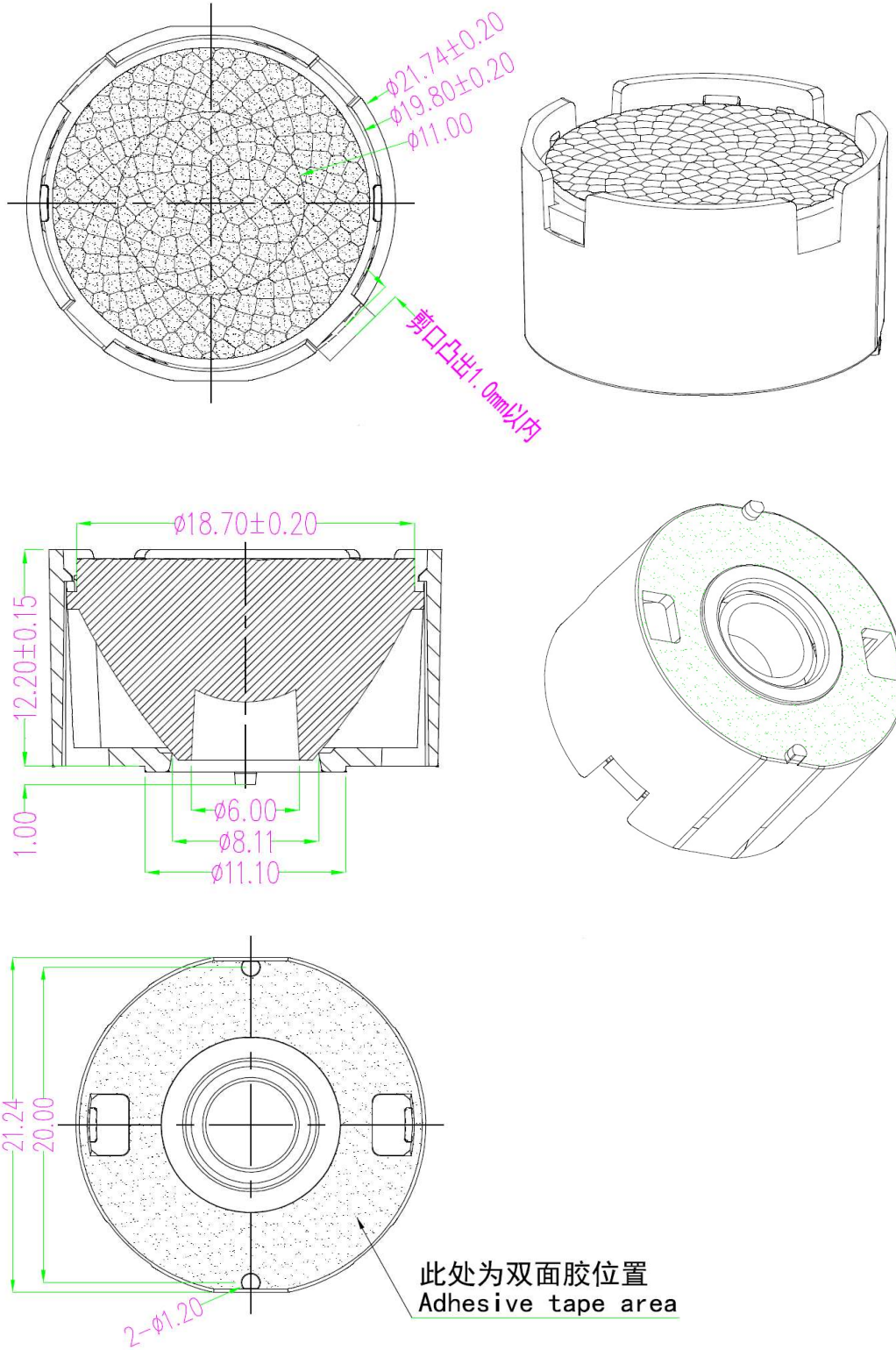
Mechanical Characteristics (产品尺寸):

(Single Lens)



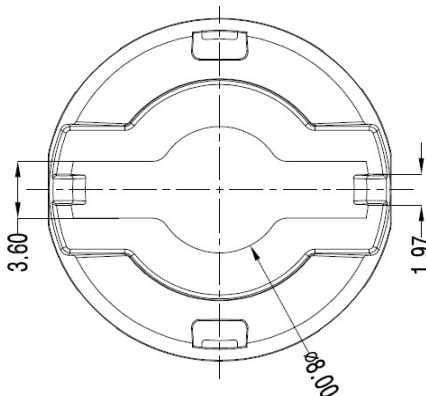
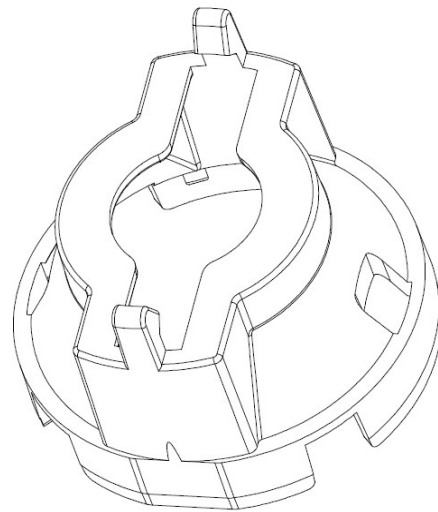
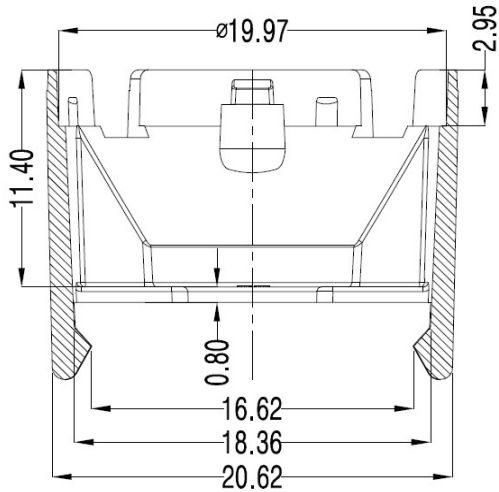
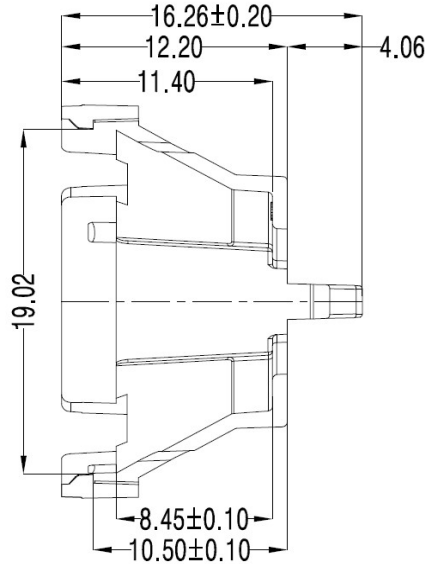
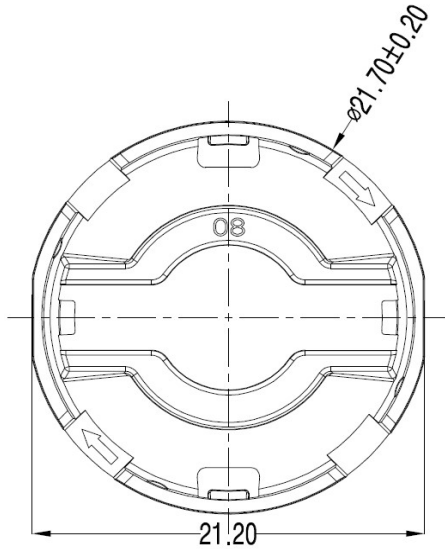
Mechanical Characteristics (产品尺寸):

(Holder+Tape assembly)

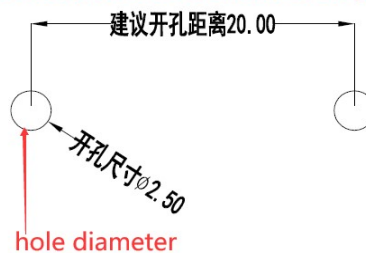


**Mechanical Characteristics (产品尺寸):**

(Holder+Clip assembly)

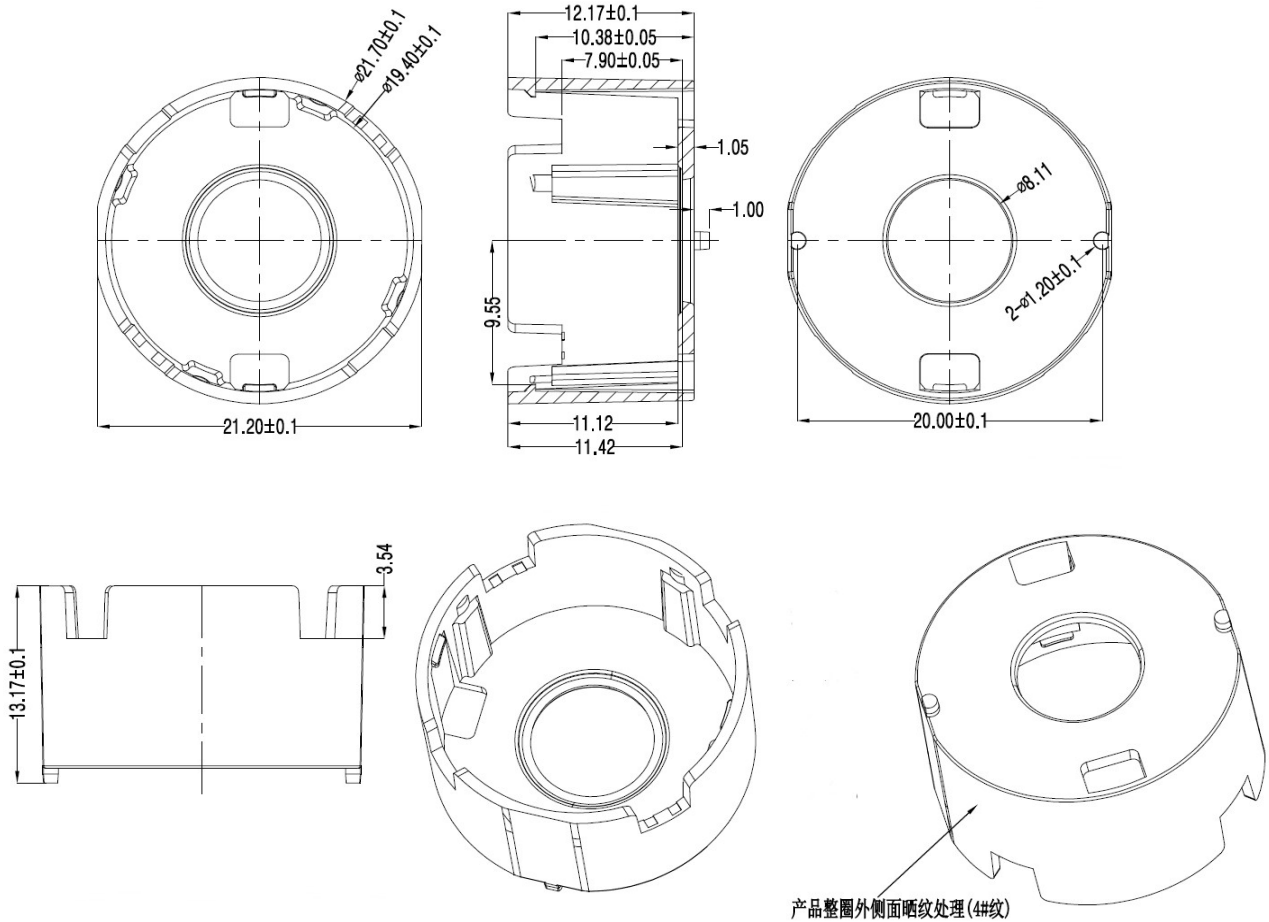


recommended hole distance on pcb





**Mechanical Characteristics (产品尺寸):**

(Holder+Glue assembly)



**Product Package (产品包装):**

Inner Box (内盒)	Outer Carton (外箱)
	
<p>25pcs/layer 9 layers/box Gross weight: 860g/box Box dimension: 12.2*12.3*13.4cm</p>	<p>20boxes/carton 4,500pcs/carton Gross weight: 18.0kg/CTN Carton Dimension: 64*29*26cm</p>