



**Product Parameters (产品描述)**

产品编号 | Part Number: KB-HB/SL4W-xx-7070

出光角度 | Beam Angle: 30/60/90/ASYM°

产品材料 | Material: PC

工作温度 | Work Temperature: <110°C

安装方式 | Fastening: Screws

支架颜色 | Holder Color: N/A

透光率 | Transmittance: 93%

匹配LED | Match Led: SMD7070 Led

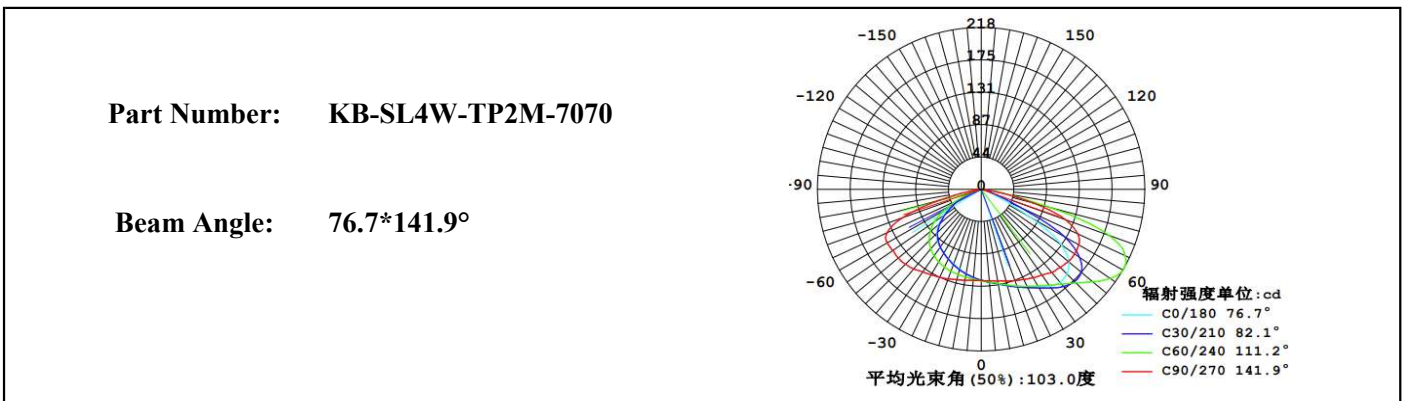
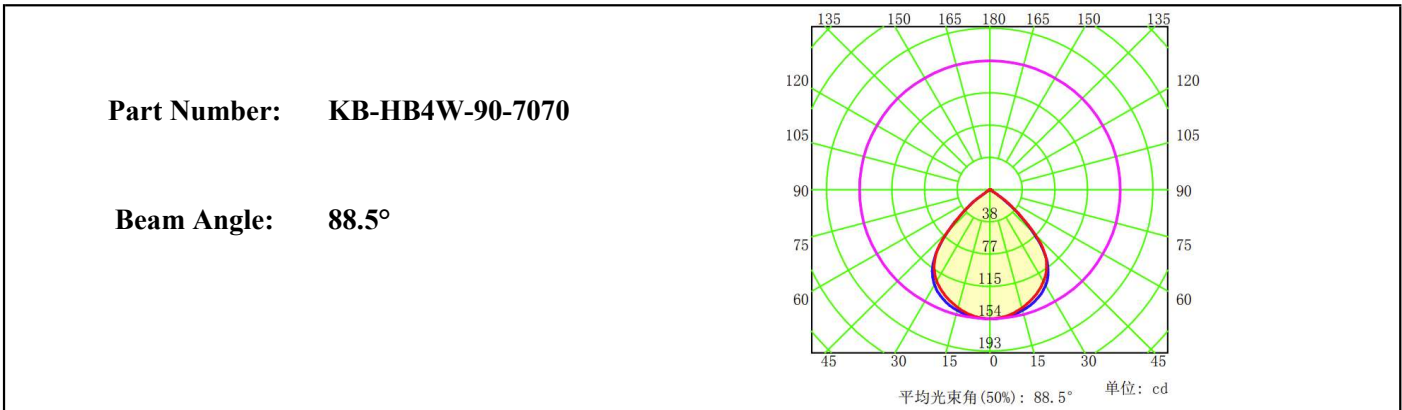
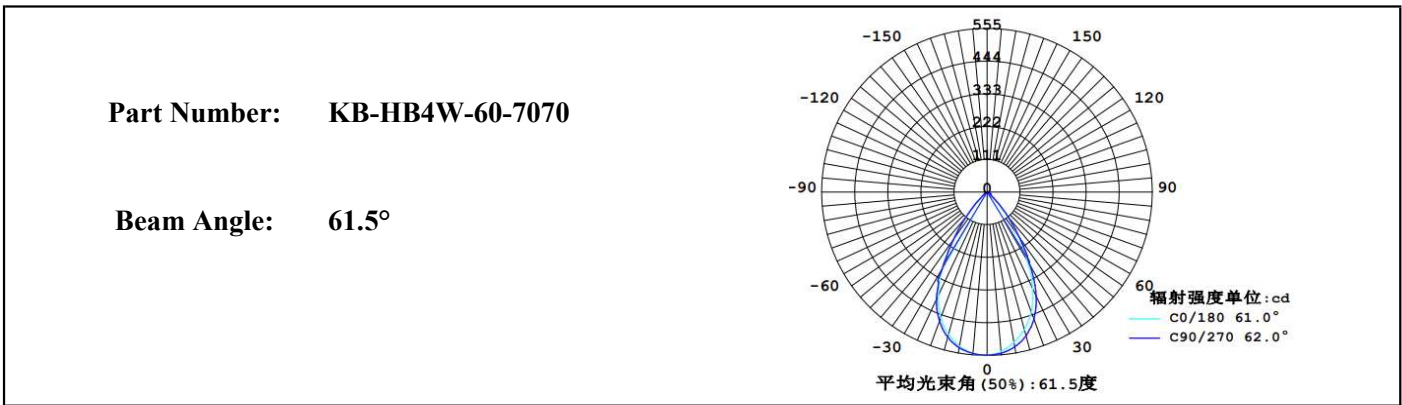
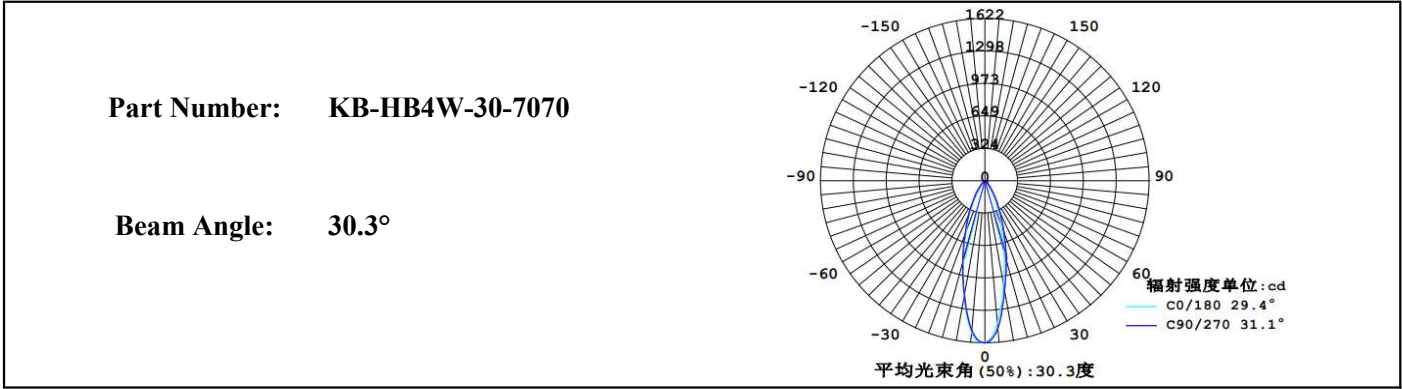
Part Number	Led QTY	Dimension	Beam Angle
KB-HB4W-30-7070	4pcs	L49.5*W49.5mm	~30°
KB-HB4W-60-7070	4pcs	L49.5*W49.5mm	~60°
KB-HB4W-90-7070	4pcs	L49.5*W49.5mm	~90°
KB-SL12W-TP2M-7070	4pcs	L49.5*W49.5mm	Type II-M

**Direction for Use**

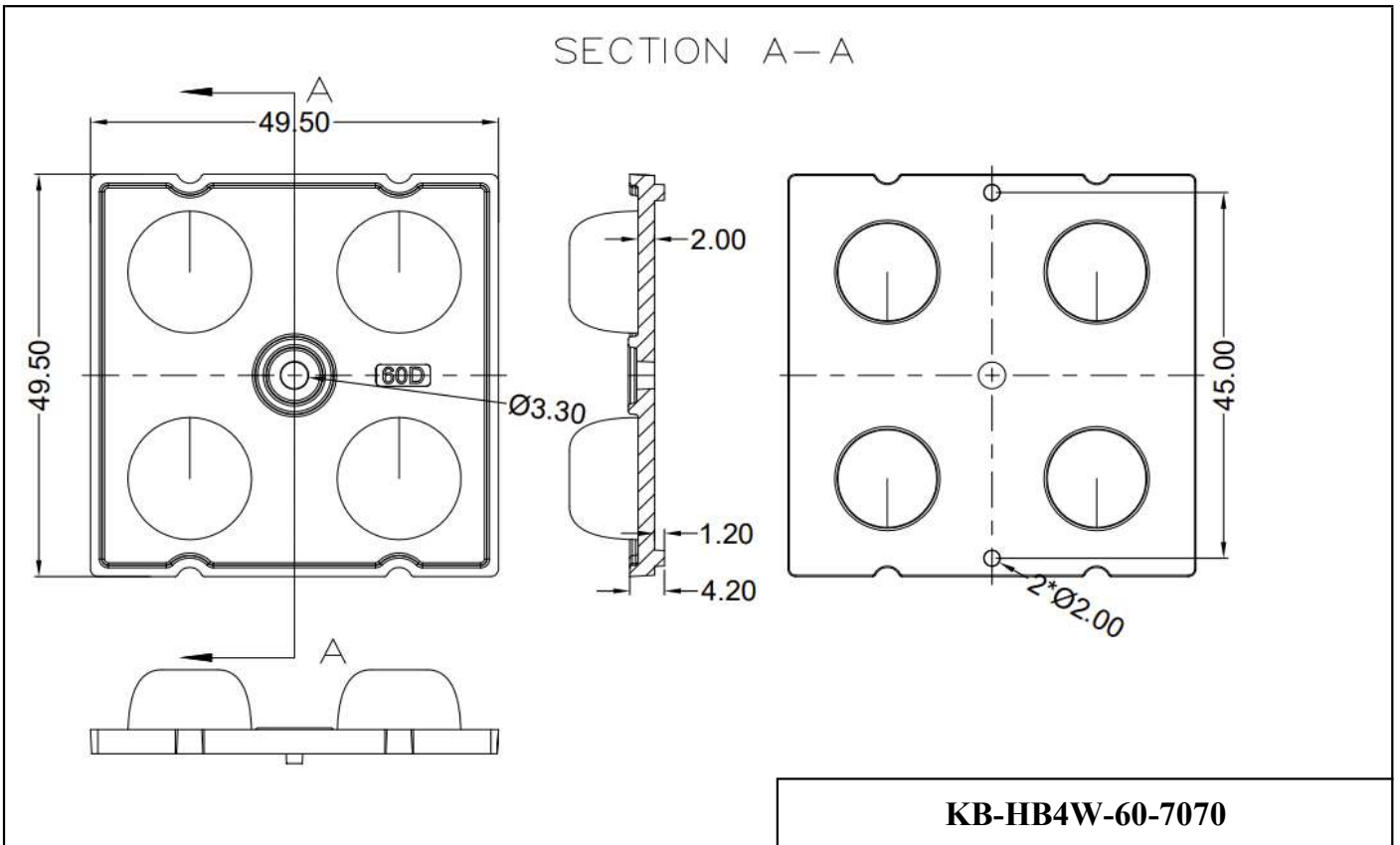
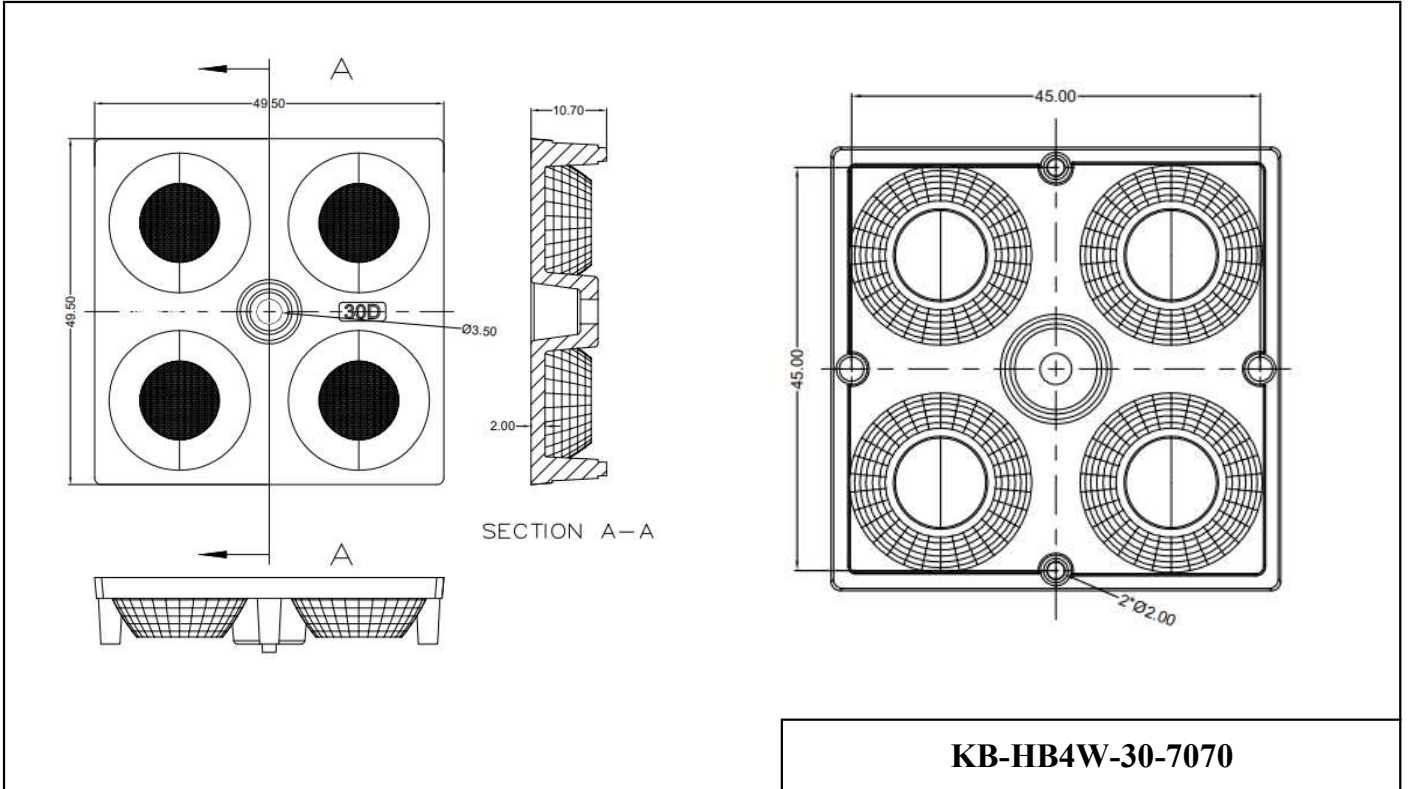
**(透镜 | LENS)**

- 1, Please use some soft paper or pure water to clean lens ( reflector)
- 2, Don't use any industrial solvent to clean lens surface , such as alcohol
- 3, Storage environment : Temperature 0~40°C , Humidity 30%~95%
- 4, This kind of lens can make the lighting more concentrated, and it's made from transparent material , so please do not open the packages until you use them, in case of the dust and other pollutions.

**Light Distribution Curve (配光曲线图):**



Mechanical Drawing (产品尺寸):



**Mechanical Drawing (产品尺寸):**

