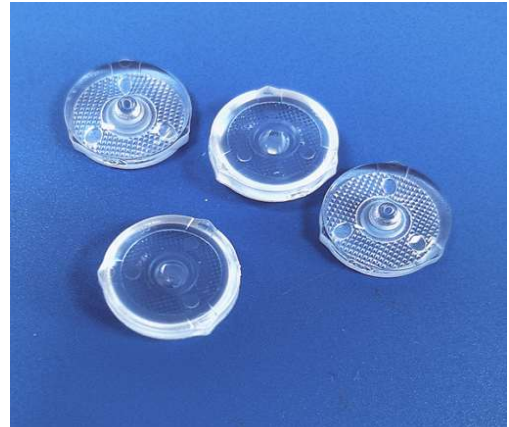


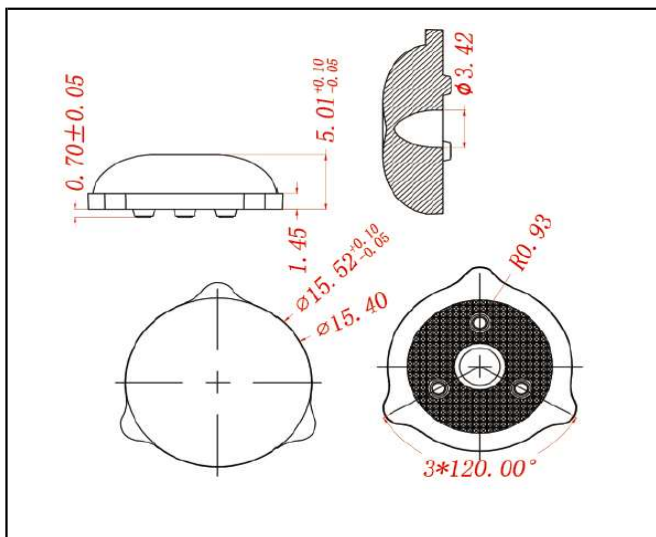
**Product Parameters:**

- \* Product Name: Led Lens
- \* Part Number: KB-TL15-OD25-180-2835
- \* Product Size:  $\phi 15.5 * H5.0mm$
  
- \* Beam Angle: ~180 degree
- \* Material: PMMA
- \* PCB hole-drilling: No
  
- \* Tolerance:  $\pm 0.15mm$
- \* Work Temperature:  $-40 \sim 85^{\circ}C$
- \* Transmittance: ~93%
  
- \* Application: TV Backlight  
led panel light
  
- \* Assembly: Glue/SMT Machine
- \* Match Led: SMD2835|3030 Leds
  
- \* Product Advantages



Lens bottom holes size is big, easy for led SMT processing.  
Uniform light spot with high illumination performance.

**Product Drawing:**



**Light Distribution Curve:**

