

Product Parameters (产品描述)

产品编号 | Part Number: KB-LN60-xx

出光角度 | Beam Angle: 90/120

产品材料 | Material: PMMA

工作温度 | Work Temp: <85°C

安装方式 | Fastening: snaps

支架颜色 | /N/A

透光率 | Transmittance:85~93%

匹配LED | Match Led:2835|3030|3535

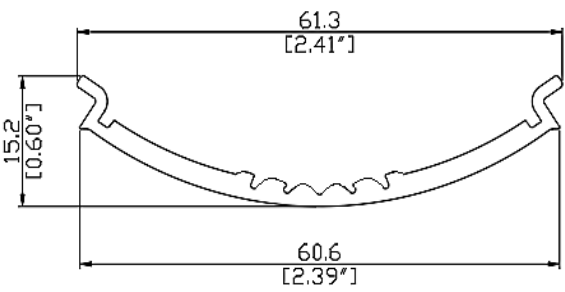
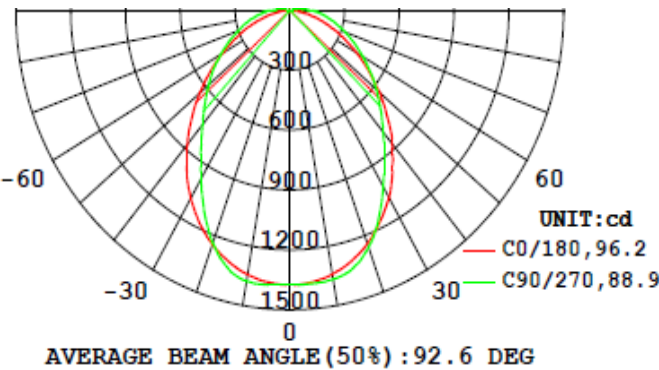
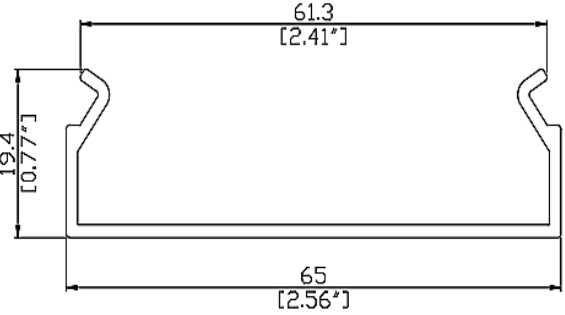
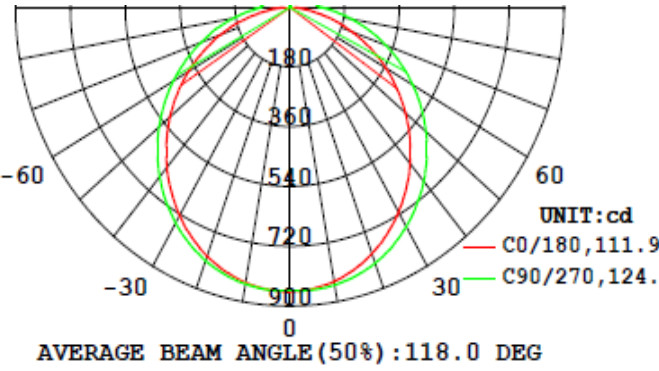
Part Number	Lens Surface	Dimension	Beam Angle
KB-LN60-90	Smooth	W61.3mm*L cuttable	~90°
KB-LN60-120	White	W61.3mm*L cuttable	~120° three sides illumination

Direction for Use

(透镜 | LENS)

- 1, Please use some soft paper or pure water to clean lens (reflector)
- 2, Don't use any industrial solvent to clean lens surface , such as alcohol
- 3, Storage environment : Temperature 0~40°C , Humidity 30%~95%
- 4, This kind of lens can make the lighting more concentrated, and it's made from transparent material , so please do not open the packages until you use them, in case of the dust and other pollutions.

Light Distribution Curve (配光曲线图):

Product Drawing (KB-LN60-90)	Light Distribution Curve(配光曲线图)
	 <p>AVERAGE BEAM ANGLE (50%) : 92.6 DEG</p>
Product Drawing (KB-LN60-120)	Light Distribution Curve(配光曲线图)
	 <p>AVERAGE BEAM ANGLE (50%) : 118.0 DEG</p>