

Product Parameters:

- * Product Name: Led Lens
- * Part Number: KB-PL19-170-3030
- * Product Size: $\phi 19 * H 5.99 \text{mm}$

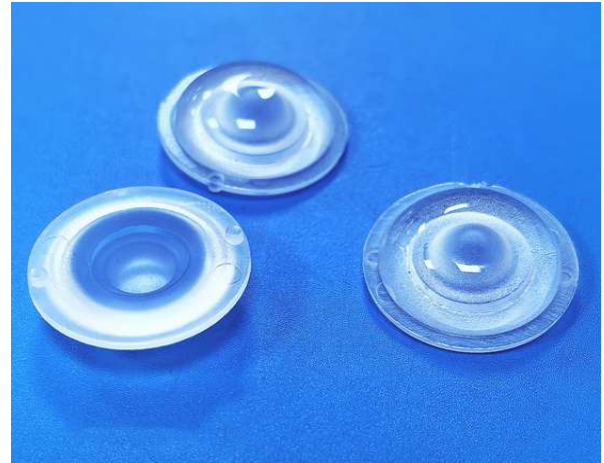
- * Beam Angle: ~ 170 degree
- * Material: PMMA
- * PCB hole-drilling: Yes

- * Tolerance: $\pm 0.02 \sim 0.1 \text{mm}$
- * Work Temperature: $-40 \sim 85^{\circ}\text{C}$
- * Transmittance: $\sim 93\%$

- * Application: advertisement lamp box
led panel light

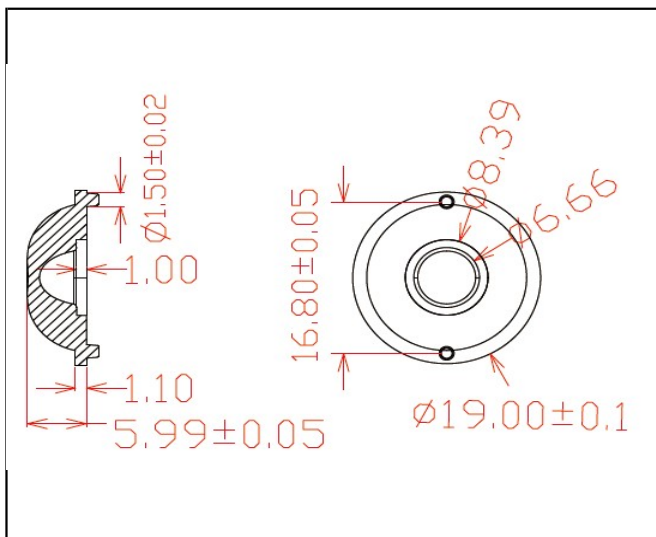
- * Assembly: Glue/SMT Machine
- * Match Led: SMD2835|3030|5050 Leds

- * Product Advantages



Lens bottom holes size is big, easy for led SMT processing.
Uniform light spot with high illumination performance.

Product Drawing:



Light Distribution Curve:

