

Product Parameters:

- * Product Name: Led Lens
- * Part Number: KB-AL17-15M-2835
- * Product Size: L17*W15.5*H8.6mm

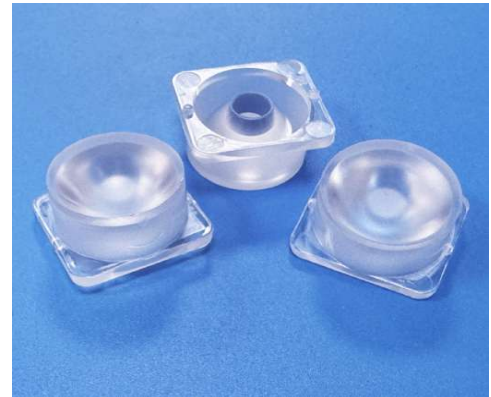
- * Beam Angle: ~15 degree
- * Material: PC
- * PCB hole-drilling: Yes

- * Tolerance: ±0.05~0.15mm
- * Work Temperature: -40~105°C
- * Transmittance: ~93%

- * Application: advertisement signage light

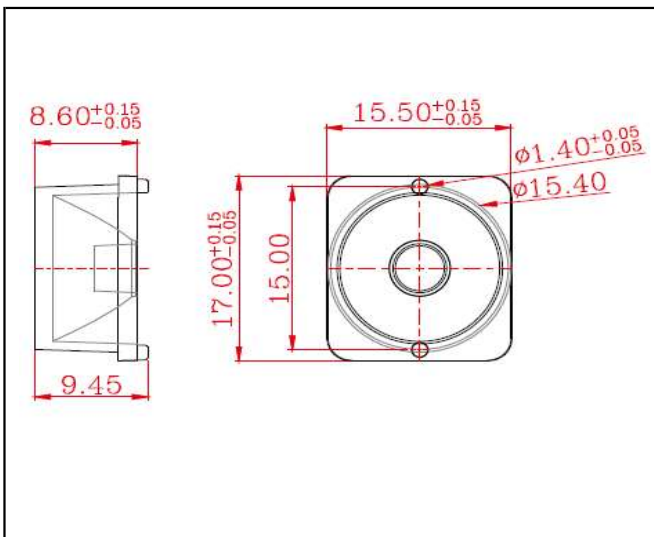
- * Fastening: Pins+Glue
- * Match Led: SMD2835|3030|3535 Leds

- * Product Advantages



Applied for 12~15cm thickness advertising light box
Illuminating distance 1~1.5 Meters, with uniform light performance

Product Drawing:



Light Distribution Curve:

