

Product Parameters:

- * Product Name: Led Lens
- * Part Number: KB-AL20-1535-2835
- * Product Size: L19.8*W19.2*H9.85mm

- * Beam Angle: ~15*35 degree
- * Material: PMMA
- * PCB hole-drilling: Yes

- * Tolerance: ±0.05~0.15mm
- * Work Temperature: -40~85°C
- * Transmittance: ~93%

- * Application: advertisement signage light

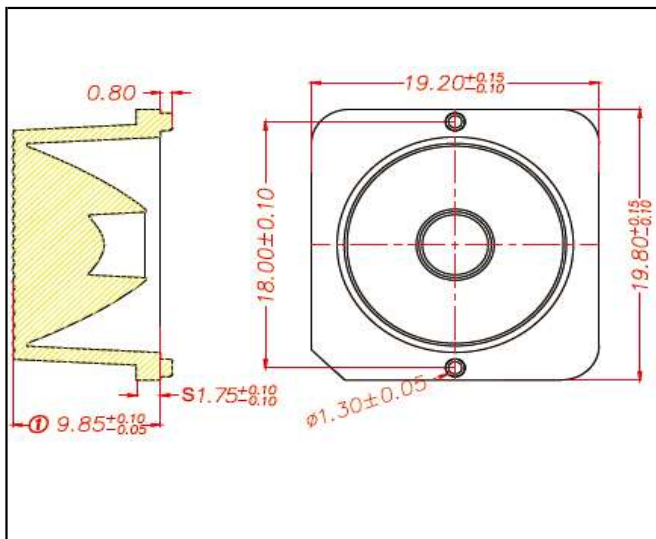
- * Fastening: Pins+Glue
- * Match Led: SMD2835|3030|3535 Leds

- * Product Advantages



Applied for 8cm thickness advertising light box
Illuminating distance 1~1.5 Meters, with uniform light performance

Product Drawing:



Light Distribution Curve:

