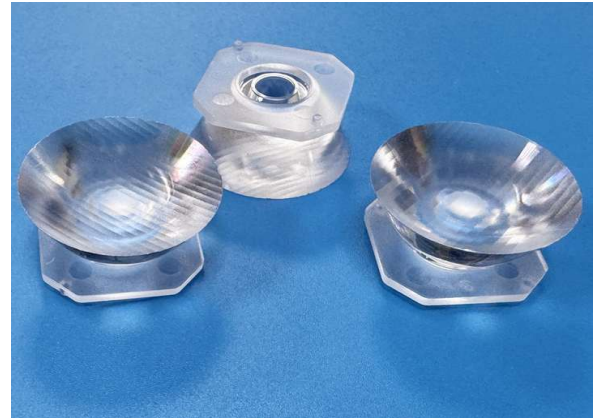


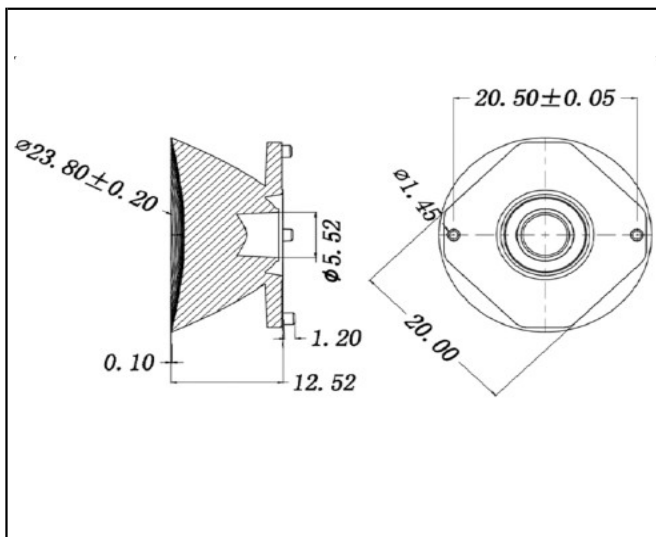
Product Parameters:

- * Product Name: Led Lens
- * Part Number: KB-AL23-0810-3030
- * Product Size: $\phi 23.8 * H12.5mm$
- * Beam Angle: $\sim 8 * 10$ degree
- * Material: PC
- * PCB hole-drilling: Yes
- * Tolerance: $\pm 0.05 \sim 0.2mm$
- * Work Temperature: $-40 \sim 105^{\circ}C$
- * Transmittance: $\sim 93\%$
- * Application: advertisement signage light
- * Fastening: Pin+Glue
- * Match Led: SMD3030|3535 Led
- * Product Advantages



Applied for 12~15cm thickness advertising light box
Illuminating distance 3~4 Meters, with uniform light performance

Product Drawing:



Light Distribution Curve:

