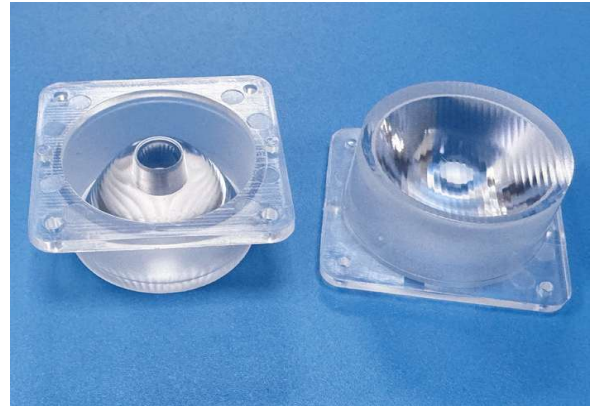


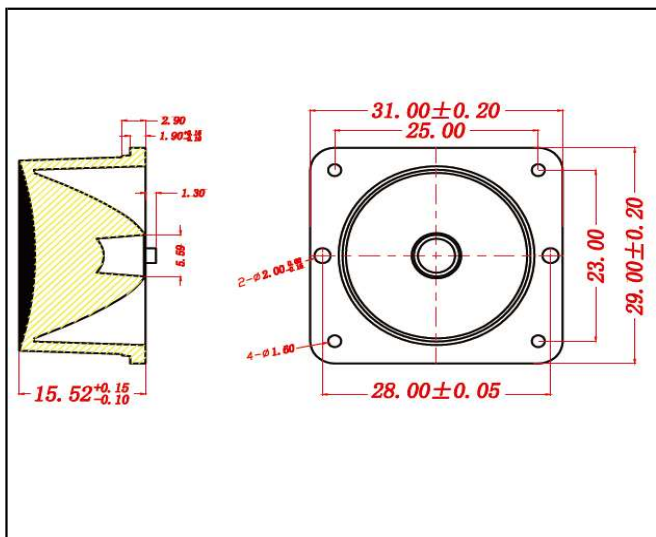
**Product Parameters:**

- \* Product Name: Led Lens
- \* Part Number: KB-AL31-0812-3030
- \* Product Size: L29\*W31\*H15.5mm
- \* Beam Angle: ~8\*12 degree
- \* Material: PC
- \* PCB hole-drilling: Yes
- \* Tolerance: ±0.05~0.2mm
- \* Work Temperature: -40~105°C
- \* Transmittance: ~93%
- \* Application: advertisement signage light
- \* Fastening: Glue
- \* Match Led: SMD3030 3535 Leds
- \* Product Advantages



Applied for 12~15cm thickness advertising light box  
Illuminating distance 3~4 Meters, with uniform light performance

**Product Drawing:**



**Light Distribution Curve:**

